

INTEGRATED CONNECTOR MODULES

V890-1AX1-A1 Gigabit Ethernet Vertical Mount Single Port MagJack® with LEDs



LED1 POLARITY			LED2 POLARITY		
PIN 14	PIN 13	COLOR	PIN 12	PIN 11	COLOR
-	+	YELLOW	-	+	GREEN

ELECTRICAL CHARACTERISTICS @ 25°C

URNS RATIO

TP1	1CT : 1CT ±3%
TP2	1CT : 1CT ±3%
TP3	1CT : 1CT ±3%
TP4	1CT : 1CT ±3%

OCCL @ 100kHz/100mVRMS

8mA DC BIAS	350 μH MIN.
-------------	-------------

INS. LOSS

1MHz TO 100MHz	-1.1 dB MAX
----------------	-------------

RET. LOSS (MIN) @ 100 OHMS +/-15%

1MHz-40MHz	-18 dB
40MHz-100MHz	-12+20LOG(F/80MHz) dB

CM TO CM REJ

1MHz - 100MHz	-20 dB MIN
---------------	------------

CROSSTALK (TX - RX)

1MHz - 30MHz	-40 dB MIN
30MHz - 60MHz	-30 dB MIN

HIPOT (Isolation Voltage)

1500 Vrms or 2250VDC

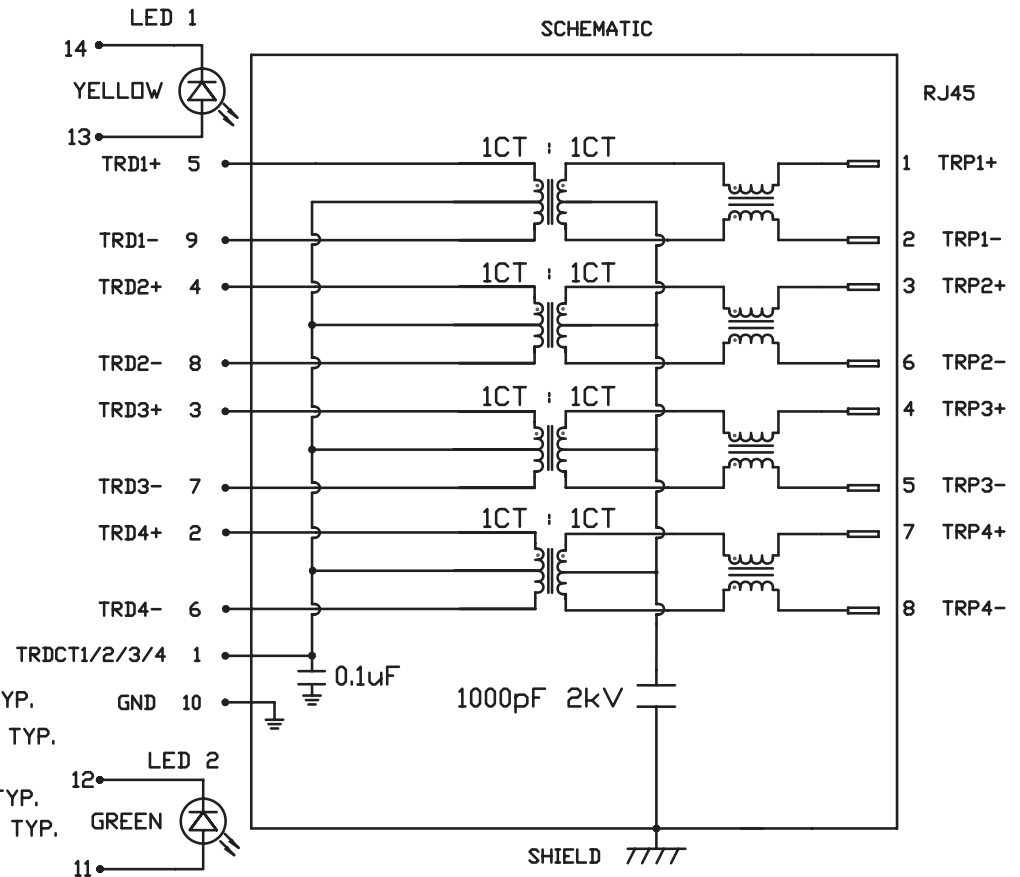
100% OF PRODUCT TESTED IN PRODUCTION

LED 1

V _F (FORWARD VOLTAGE)	IF=20mA	YELLOW	2.1V TYP.
λ _D (DOMINANT WAVELENGTH)	IF=20mA	YELLOW	590nm TYP.

LED 2

V _F (FORWARD VOLTAGE)	IF=20mA	GREEN	2.2V TYP.
λ _D (DOMINANT WAVELENGTH)	IF=20mA	GREEN	565nm TYP.

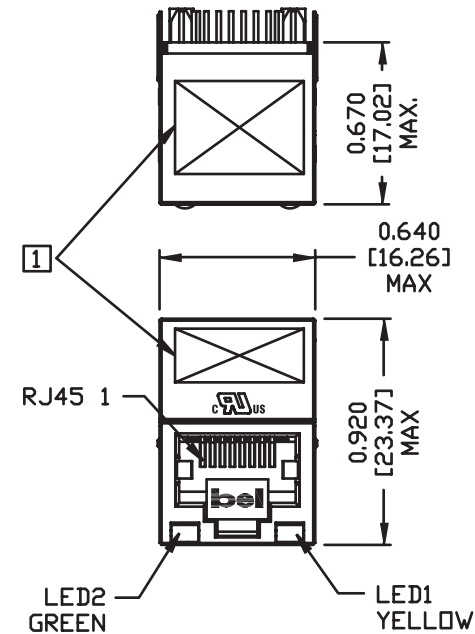
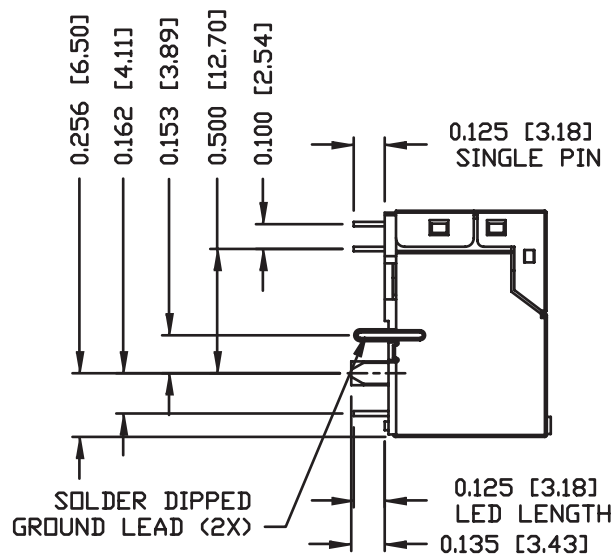


INTEGRATED CONNECTOR MODULES

V890-1AX1-A1 Gigabit Ethernet Vertical Mount Single Port MagJack® with LEDs



MECHANICAL SPECIFICATION



NOTES:

PLASTIC HOUSING: THERMOPLASTIC PBT.
FLAMMABILITY RATING UL 94V-0
CONTACTS: 30 MICRO-INCH HARD GOLD PLATING
OUTPUT PINS: TIN-COATED COPPER WIRE, DIA 0.018 INCH.
METAL SHIELD: NICKEL PLATED ON COPPER ALLOY.
(ALL GROUND LEADS ARE SOLDER DIPPED)

JACK CAVITY CONFORMS TO FCC RULES AND REGULATIONS.

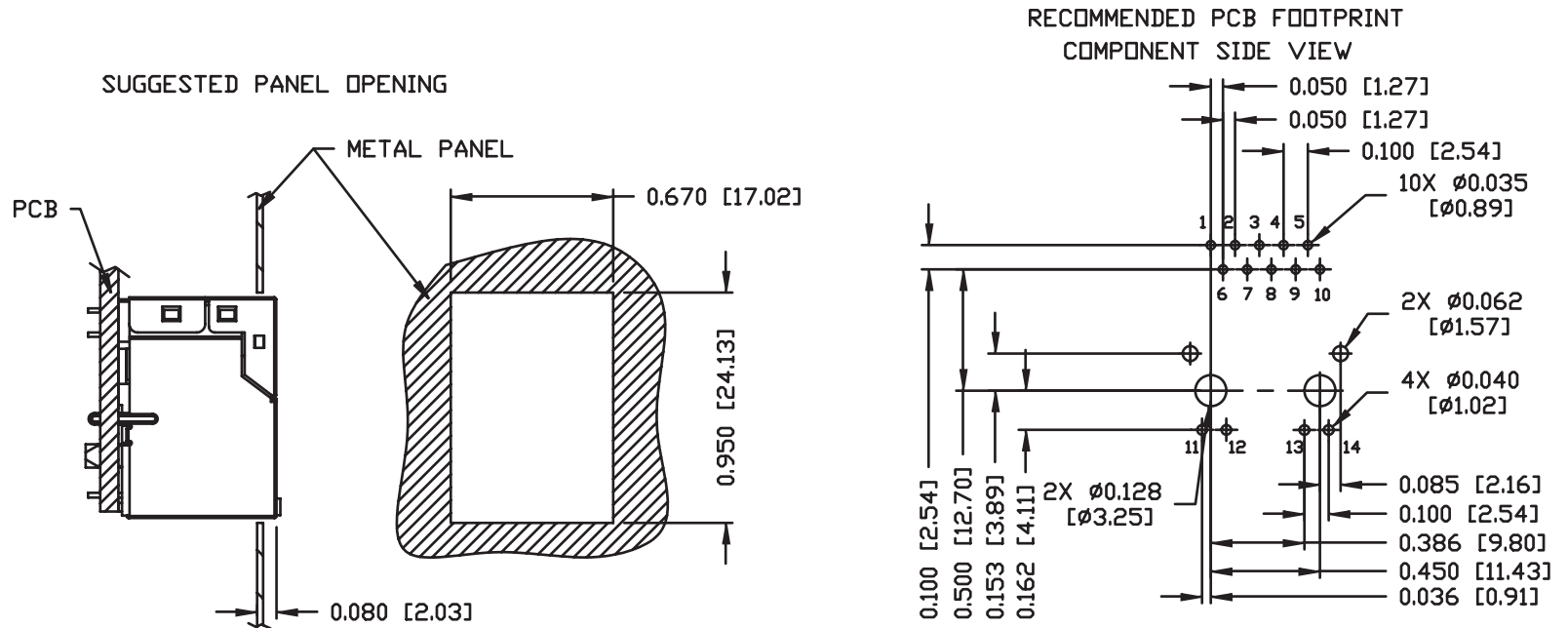
☐ MARK PART WITH MFG LOGO, MFG NAME, PART NUMBER, AND DATE CODE.

RoHS COMPLIANCE, PER EU DIRECTIVE 2002/95/EC.

c us UL RECOGNIZED - FILE #E196366 AND E169987.

INTEGRATED CONNECTOR MODULES

V890-1AX1-A1 Gigabit Ethernet Vertical Mount Single Port MagJack® with LEDs



NOTES:

THE DISTANCE OF PANEL INSIDE SURFACE RELATIVE TO FRONT SURFACE OF PART IS ONLY A SUGGESTION. IN CASE THIS DISTANCE IS DIFFERENT, THE REQUIRED PANEL OPENING DIMENSIONS CHANGE ACCORDINGLY.

PACKING INFORMATION

PACKING TRAY : 0200-9999-I3(TOP)

0200-9999-I4(BOTTOM)

PACKING QUANTITY : 55 PCS FINISHED GOODS PER TRAY
9 TRAYS (495 PCS FINISHED GOODS)
PER CARTON BOX

NOTE: CARDBOARDS ARE PLACED BETWEEN LAYERS OF PACKING TRAY INSIDE CARTON BOX (INCLUDE THE UPPERMOST AND LOWERMOST TRAY)