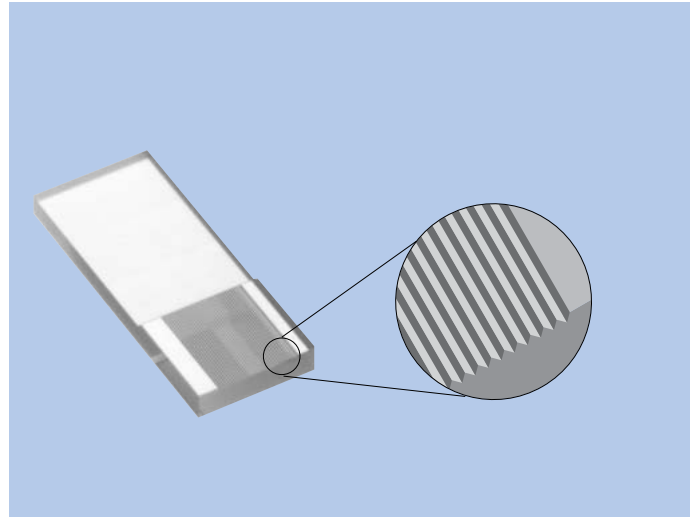


FTTH-VG Optical Communication V Groov Board VGQ-32HA

FEATURES

1. Chipping occurs extremely rarely due to Mitsumi's unique processing technology.
2. Low distortion gives uniform V groove finished surface.
3. Provides high precision and excellent cost performance.



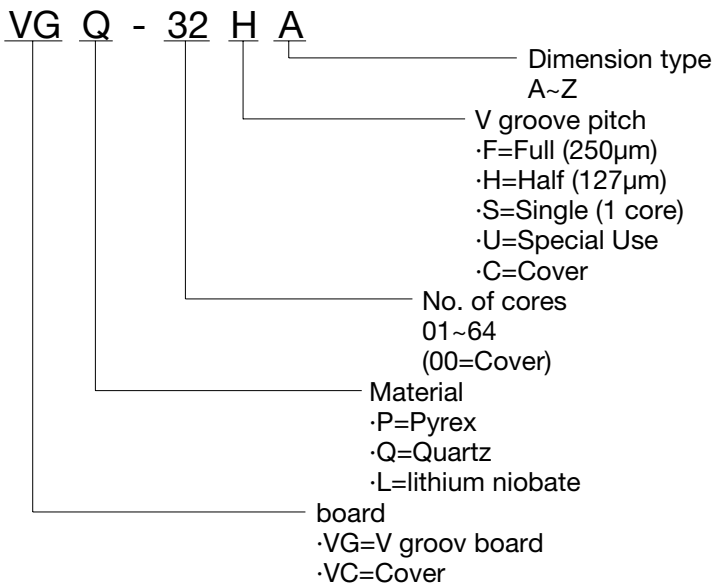
USES

1. Fiber connection AWG
2. Optical switch
3. Splitter module

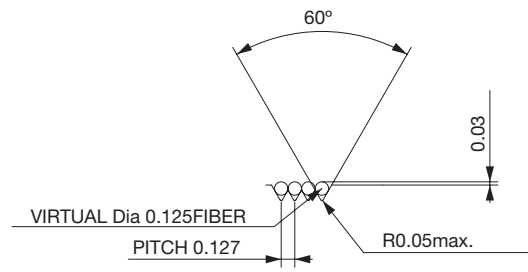
STANDARD MODEL

Model name Example VGQ-32HA

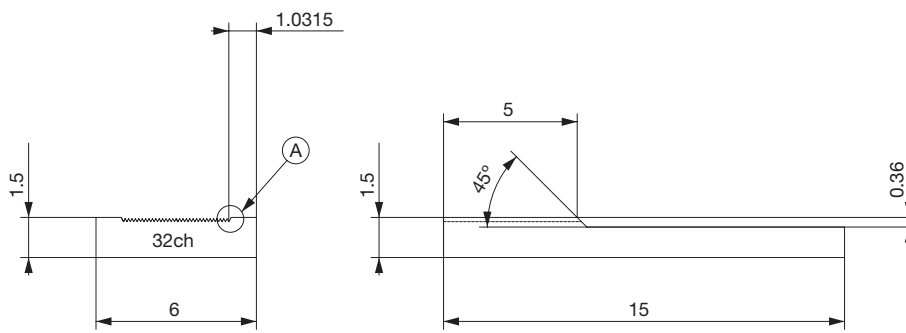
*Special shapes are available to meet individual user needs.



DIMENSIONS



DETAIL A (20/1)



Unit : mm