



SOT-23 Formed SMD Package

BAV99

SILICON PLANAR EPITAXIAL HIGH-SPEED DIODES

Silicon planar high-speed switching series diode pair

Marking

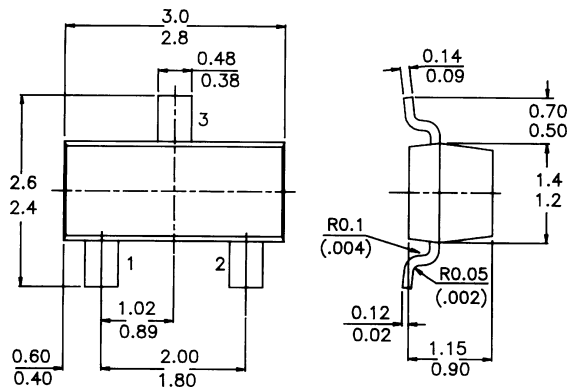
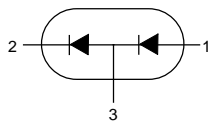
BAV99 = A7

PACKAGE OUTLINE DETAILS

ALL DIMENSIONS IN mm

Pin configuration

- 1 = ANODE
- 2 = CATHODE
- 3 = CATHODE/ANODE



ABSOLUTE MAXIMUM RATINGS

Continuous reverse voltage	V_R	max.	75 V
Repetitive peak reverse voltage	V_{RRM}	max.	85 V
Repetitive peak forward current	I_{FRM}	max.	450 mA
Junction temperature	T_j	max.	150 °C
Forward voltage at $I_F = 50$ mA	V_F	<	1.0 V
Reverse recovery time when switched from $I_F = 10$ mA to $I_R = 10$ mA; $R_L = 100 \Omega$; measured at $I_R = 1$ mA	t_{rr}	<	4 ns
Recovery charge when switched from $I_F = 10$ mA to $V_R = 5$ V; $R_L = 100 \Omega$	Q_s	<	45 pC

RATINGS (per diode) (at $T_A = 25^\circ\text{C}$ unless otherwise specified)

Limiting values

Continuous reverse voltage	V_R	max.	75 V
Repetitive peak reverse voltage	V_{RRM}	max.	85 V

BAV99

Forward current (d.c.)	I_F	max.	215 mA
Repetitive peak forward current	I_{FRM}	max.	450 mA
Non-repetitive peak forward current (per crystal)			
$t = 1\mu\text{s}$	I_{FSM}	max.	4 A
$t = 1\text{ ms}$	I_{FSM}	max.	1 A
$t = 1\text{ s}$	I_{FSM}	max.	0,5 A
Storage temperature range	T_{stg}		-55 to +150 °C
Junction temperature	T_j	max.	150 °C
THERMAL RESISTANCE			
From junction to ambient	R_{thj-a}	=	500 KW
CHARACTERISTICS (per diode) (at $T_A = 25^\circ\text{C}$ unless otherwise specified)			
$T_j = 25\text{ °C}$ unless otherwise specified			
Forward voltage			
$I_F = 1\text{ mA}$	V_F	<	715 mV
$I_F = 10\text{ mA}$	V_F	<	855 mV
$I_F = 50\text{ mA}$	V_F	<	1000 mV
$I_F = 150\text{ mA}$	V_F	<	1250 mV
Reverse current			
$V_R = 25\text{V}; T_j = 150\text{ °C}$	I_R	<	30 μA
$V_R = 75\text{ V}$	I_R	<	1,0 μA
$V_R = 75\text{V}; T_j = 150\text{ °C}$	I_R	<	50 μA
Diode capacitance			
$V_R = 0; f = 1\text{ MHz}$	C_d	<	1,5 pF
Forward recovery voltage when switched to			
$I_F = 10\text{mA}; t_r = 20\text{ns}$	V_{fr}	<	1,75 V