

Product Features

- DC – 3 GHz
- +18 dBm P1dB at 1 GHz
- +34 dBm OIP3 at 1 GHz
- 20.5 dB Gain at 1 GHz
- 3.4 dB Noise Figure
- Available in Lead-free / green SOT-89 Package Style
- Internally matched to 50 Ω

Applications

- Mobile Infrastructure
- CATV / FTTH
- W-LAN / ISM
- RFID
- WiMAX / WiBro

Specifications ⁽¹⁾

Parameter	Units	Min	Typ	Max
Operational Bandwidth	MHz	DC		3000
Test Frequency	MHz		1000	
Gain	dB		20.5	
Output P1dB	dBm		+18	
Output IP3 ⁽²⁾	dBm		+34	
Test Frequency	MHz		2000	
Gain	dB	19.3	20.1	20.8
Input Return Loss	dB		20	
Output Return Loss	dB		12.5	
Output P1dB	dBm		+18	
Output IP3 ⁽²⁾	dBm	+30	+32	
Noise Figure	dB		3.4	4
Device Voltage	V	4.2	4.8	5.3
Device Current	mA		65	

1. Test conditions unless otherwise noted: 25 °C, Supply Voltage = +6 V, Rbias = 18 Ω, 50 Ω System.
 2. 3OIP measured with two tones at an output power of +4 dBm/tone separated by 1 MHz. The suppression on the largest IM3 product is used to calculate the 3OIP using a 2:1 rule.

Absolute Maximum Rating

Parameter	Rating
Operating Case Temperature	-40 to +85 °C
Storage Temperature	-65 to +150 °C
RF Input Power (continuous)	+12 dBm
Device Current	150 mA
Junction Temperature	+250 °C

Operation of this device above any of these parameters may cause permanent damage.

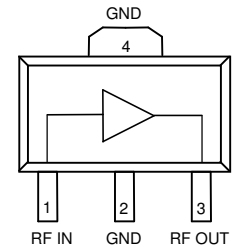
Product Description

The ECG055B is a general-purpose buffer amplifier that offers high dynamic range in a low-cost surface-mount package. At 1000 MHz, the ECG055B typically provides 20.5 dB of gain, +34 dBm Output IP3, and +18 dBm P1dB.

The ECG055B consists of Darlington pair amplifiers using the high reliability InGaP/GaAs HBT process technology and only requires DC-blocking capacitors, a bias resistor, and an inductive RF choke for operation. The device is ideal for wireless applications and is available in low-cost, surface-mountable plastic lead-free/green/RoHS-compliant SOT-89 packages. A SOT-86 version is also available as the ECG055C. All devices are 100% RF and DC tested.

The broadband MMIC amplifier can be directly applied to various current and next generation wireless technologies such as GPRS, GSM, CDMA, and W-CDMA. In addition, the ECG055B will work for other various applications within the DC to 3 GHz frequency range such as CATV and mobile wireless.

Functional Diagram



Function	Pin No.
Input	1
Output/Bias	3
Ground	2, 4

Typical Performance ⁽¹⁾

Parameter	Units	Typical			
Frequency	MHz	500	900	1900	2140
S21	dB	20.6	20.5	20.1	20.1
S11	dB	-31	-26.3	-19.7	-18.5
S22	dB	-23	-19.1	-12.9	-12.2
Output P1dB	dBm	+18	+18.1	+18.2	+17.8
Output IP3	dBm	+34	+34	+32	+30.5
Noise Figure	dB	3.6	3.4	3.4	3.4

Ordering Information

Part No.	Description
ECG055B-G	InGaP HBT Gain Block (lead-free/green/RoHS-compliant SOT-89 package)
ECG055B-PCB	700–2400 MHz Fully Assembled Eval. Board

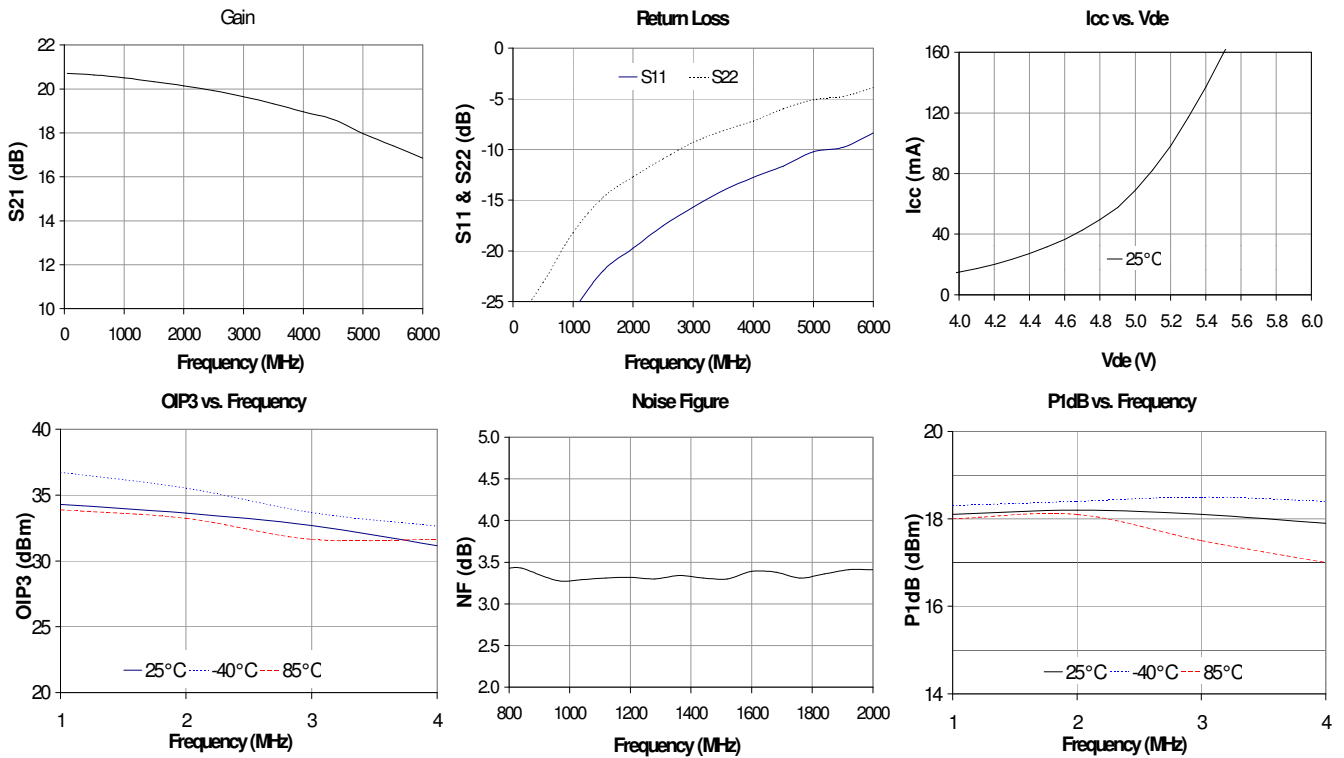
Specifications and information are subject to change without notice

Typical Device RF Performance

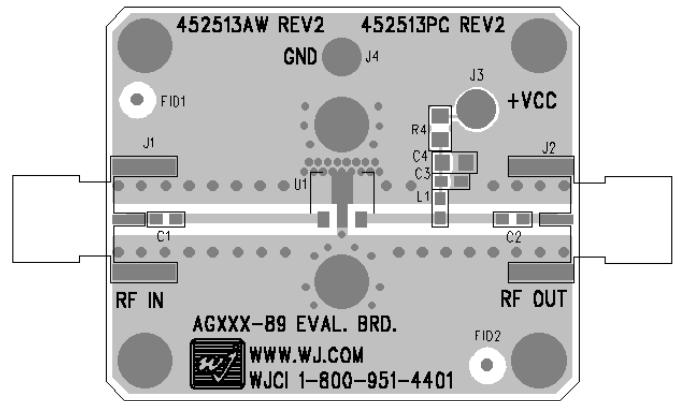
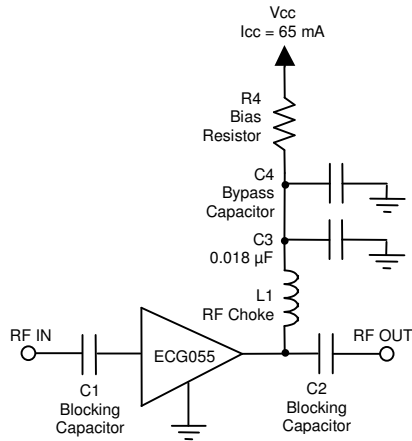
Supply Bias = +6 V, $R_{bias} = 18 \Omega$, $I_{cc} = 65 \text{ mA}$

Frequency	MHz	100	500	900	1900	2140	2400	3500	5800
S21	dB	20.7	20.6	20.5	20.1	20.1	19.9	19.3	17.2
S11	dB	-36	-31	-26.3	-19.7	-18.5	-17.5	-14	-8.9
S22	dB	-27	-23	-19.1	-12.9	-12.2	-11	-8.1	-4.1
Output P1dB	dBm	+18.2	+18	+18.1	+18.2	+17.8	+17.8	+17.2	
Output IP3	dBm	+33	+33.5	+34.5	+33.5	+32.9	+32		
Noise Figure	dB	3.4	3.6	3.4	3.4	3.4	3.8		

1. Test conditions: T = 25 °C, Supply Voltage = +6 V, Device Voltage = 4.8 V, $R_{bias} = 18 \Omega$, $I_{cc} = 65 \text{ mA}$ typical, 50 Ω System.
2. 3OIP measured with two tones at an output power of +4 dBm/tone separated by 1 MHz. The suppression on the largest IM3 product is used to calculate the 3OIP using a 2:1 rule.
3. Data is shown as device performance only. Actual implementation for the desired frequency band will be determined by external components shown in the application circuit.



Recommended Application Circuit



Recommended Component Values

Reference Designator	Frequency (MHz)						
	50	500	900	1900	2200	2500	3500
L1	820 nH	220 nH	68 nH	27 nH	22 nH	18 nH	15 nH
C1, C2, C4	.018 µF	1000 pF	100 pF	68 pF	68 pF	56 pF	39 pF

- The proper values for the components are dependent upon the intended frequency of operation.
- The following values are contained on the evaluation board to achieve optimal broadband performance:

Ref. Desig.	Value / Type	Size
L1	39 nH wirewound inductor	0603
C1, C2	56 pF chip capacitor	0603
C3	0.018 µF chip capacitor	0603
C4	Do Not Place	
R4	18 Ω 1% tolerance	0805

Recommended Bias Resistor Values

Supply Voltage	R1 value	Size
6 V	18.5 ohms	0805
7 V	33.8 ohms	1210
8 V	49 ohms	1210
9 V	65 ohms	2010
10 V	80 ohms	2010
12 V	111 ohms	2512

The proper value for R1 is dependent upon the supply voltage and allows for bias stability over temperature. WJ recommends a minimum supply bias of +6 V. A 1% tolerance resistor is recommended.

Typical Device S-Parameters

S-Parameters ($V_{device} = +4.8 V$, $I_{CC} = 65 mA$, $T = 25^{\circ}C$, calibrated to device leads)

Freq (MHz)	S11 (dB)	S11 (ang)	S21 (dB)	S21 (ang)	S12 (dB)	S12 (ang)	S22 (dB)	S22 (ang)
50	-35.44	-155.39	20.70	178.22	-22.72	0.33	-27.17	-13.13
500	-31.06	-130.40	20.64	160.99	-22.79	-4.72	-23.11	-72.28
1000	-25.99	-134.19	20.51	142.21	-22.57	-10.86	-18.21	-103.46
1500	-21.96	-143.12	20.33	123.40	-22.41	-17.52	-14.71	-126.14
2000	-19.74	-147.93	20.14	104.91	-22.25	-24.67	-12.69	-147.96
2500	-17.50	-165.99	19.92	86.66	-21.53	-31.23	-10.92	-167.56
3000	-15.68	177.82	19.65	68.34	-21.19	-38.23	-9.29	174.99
3500	-14.02	162.84	19.32	49.37	-20.96	-46.84	-8.13	153.30
4000	-12.75	145.85	18.96	30.89	-20.43	-55.87	-7.17	137.75
4500	-11.62	126.85	18.62	11.81	-20.02	-64.61	-5.98	117.77
5000	-10.22	104.39	17.97	-7.65	-19.54	-74.66	-5.08	96.84
5500	-9.77	89.88	17.42	-25.15	-19.65	-86.77	-4.74	83.19
6000	-8.35	70.44	16.85	-45.49	-19.44	-101.04	-3.88	62.30

Device S-parameters are available for download off of the website at: <http://www.wj.com>

