

6427525 N E C ELECTRONICS INC

05E 23064 D

BIPOLAR ANALOG INTEGRATED CIRCUIT

μ PC1342V

T-74-05-01

50 to 110 W POWER AMPLIFIER DRIVER

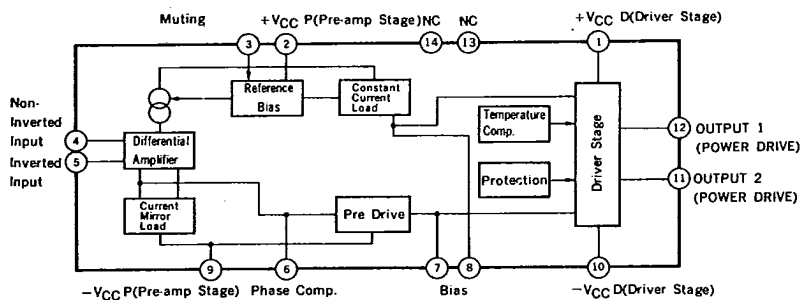
DESCRIPTION

μ PC1342V is a integrated monolithic circuit designed for 50 W to 110 W class HiFi audio power amplifier and consists of a input differential amplifier, a predriver circuit, a driver circuit and a over current protection circuit.

FEATURES

- Low Distortion.
0.002 % TYP. ($V_{CC} = \pm 46$ V, $f = 1$ kHz, $A_v = 30$ dB, $P_O = 80$ W, $R_L = 8 \Omega$ with Power Transistor)
0.006 % TYP. ($V_{CC} = \pm 46$ V, $f = 20$ kHz, $A_v = 30$ dB, $P_O = 80$ W, $R_L = 8 \Omega$ with Power Transistor)
- Wide Frequency Band.
900 kHz TYP. (-3 dB)
- Wide Power Band Width.
90 kHz TYP. ($P_O = 40$ W, THD = 0.1 %)

BLOCK DIAGRAM



NOTE: The built-in over current circuit protects μ PC1342V and cannot protect external power transistors.

6427525 N E C ELECTRONICS INC

μ PC1342V
05E 23065 D

T-74-05-01

ABSOLUTE MAXIMUM RATINGS ($T_a = 25^\circ\text{C}$)

Supply Voltage (Quiescent)	V_{CC1}	± 75	V
Supply Voltage (Operational)	V_{CC2}	± 70	V
Circuit Current	$I_{CC(\text{peak})}$	250	mA
Allowable Package Dissipation	P_D	7.5*	W
Operational Temperature	T_{opt}	-20 to +75	$^\circ\text{C}$
Storage Temperature	T_{stg}	-40 to +150	$^\circ\text{C}$

* 100 x 100 x 2 mm Al heat sink

RECOMMENDED OPERATING CONDITIONS

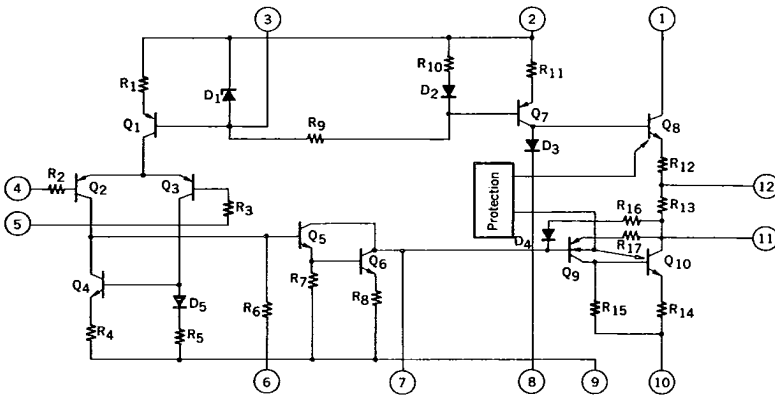
Supply Voltage (Operational)	$V_{CC} = \pm 20$ to ± 52 V
Input Bias Resistance	$R_{IN} = 1$ to 50 to 100 k Ω
Power Transistor h_{FE}	$h_{FE} \geq 50$ at $P_O = 80$ W, $R_L = 8 \Omega$, $T_j < 125^\circ\text{C}$
Closed Loop Voltage Gain	$A_v = 26$ to 30 dB
Junction Temperature	$T_j = -20$ to 125°C

ELECTRICAL CHARACTERISTICS ($V_{CC} = \pm 46$ V, $A_v = 30$ dB, Use Standard Test Circuit, $T_a = 25^\circ\text{C}$)

CHARACTERISTIC	SYMBOL	MIN.	TYP.	MAX.	UNIT	CONDITIONS
Output Offset Voltage	V_{offset}		± 5	± 50	mV	$V_{IN} = 0$
Quiescent Circuit Current	I_{CC}		20	40	mA	$V_{IN} = 0$
Maximum Output Voltage	V_{OM}	25	28		V	THD = 0.05%, $f = 20$ Hz to 20 kHz
Open Loop Voltage Gain	A_{vo}	80	95		dB	$V_o = 1.5$ V, $f = 1$ kHz
Output Noise Voltage	V_n		0.07	0.14	mV	$R_G = 10$ k Ω
Rolloff Frequency	f_H		900		kHz	$V_o = 1.5$ V, -3 dB
Supply Voltage Rejection Ratio	SVR	55	70		dB	$R_G = 2.2$ k Ω , $f_{\text{ripple}} = 100$ Hz, $v_{\text{ripple}} = 1$ V _{r.m.s.}

EQUIVALENT CIRCUIT

5

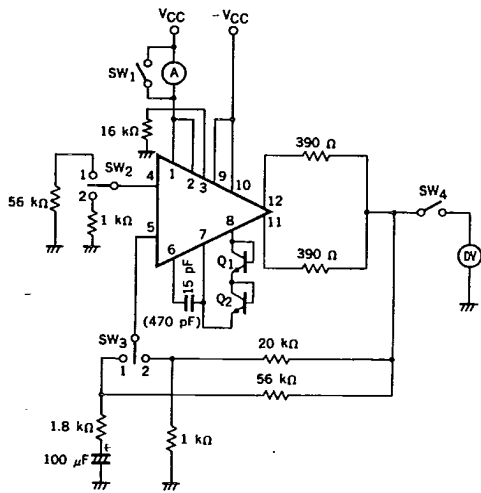


μPC1342V
 6427525 N E C ELECTRONICS INC

05E 23066 D

TEST CIRCUIT 1 (I_{CC}, V_{OFF})

T-74-05-01



Q1 } 2SC1844F
 Q2 }

SWITCH POSITION

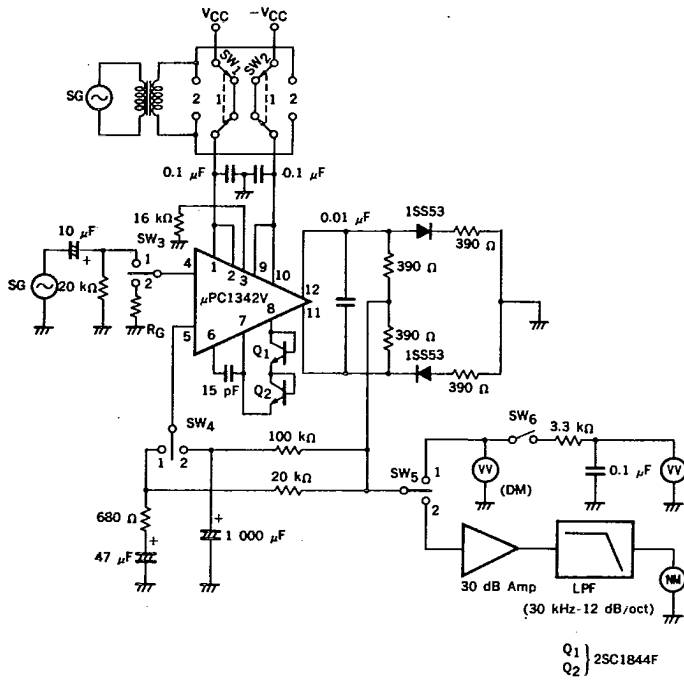
	SW ₁	SW ₂	SW ₃	SW ₄
I _{CC}	OFF	2	2	OFF
V _{OFF}	ON	1	1	ON

6427525 N E C ELECTRONICS INC

μ PC1342V
05E 23067 D

TEST CIRCUIT 2 (V_{OM} , A_v , A_{vO} , V_{NO} , SVR, PBW)

T-74-05-01



SWITCH POSITION

	SW ₁	SW ₂	SW ₃	SW ₄	SW ₅	SW ₆
V_{OM}	1	1	1	1	1	OFF
A_v	1	1	1	1	1	OFF
A_{vO}	1	1	1	2	1	OFF
V_{NO}	1	1	2	1	2	OFF
SVR	2/1	1/2	2	1	1	ON
PBW	1	1	1	1	1	OFF

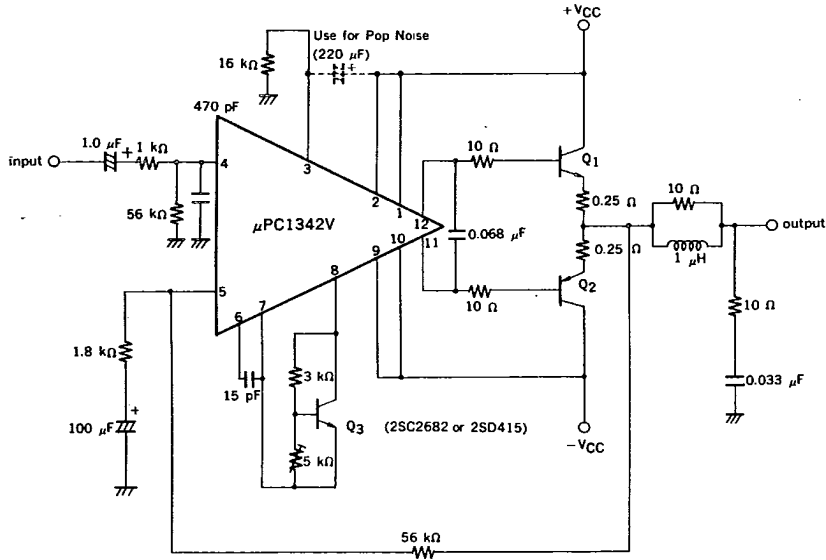
5

μPC1342V
6427525 N E C ELECTRONICS INC

05E 23068 D

APPLICATION CIRCUIT

T-74-05-01



RECOMMENDED POWER TRANSISTOR

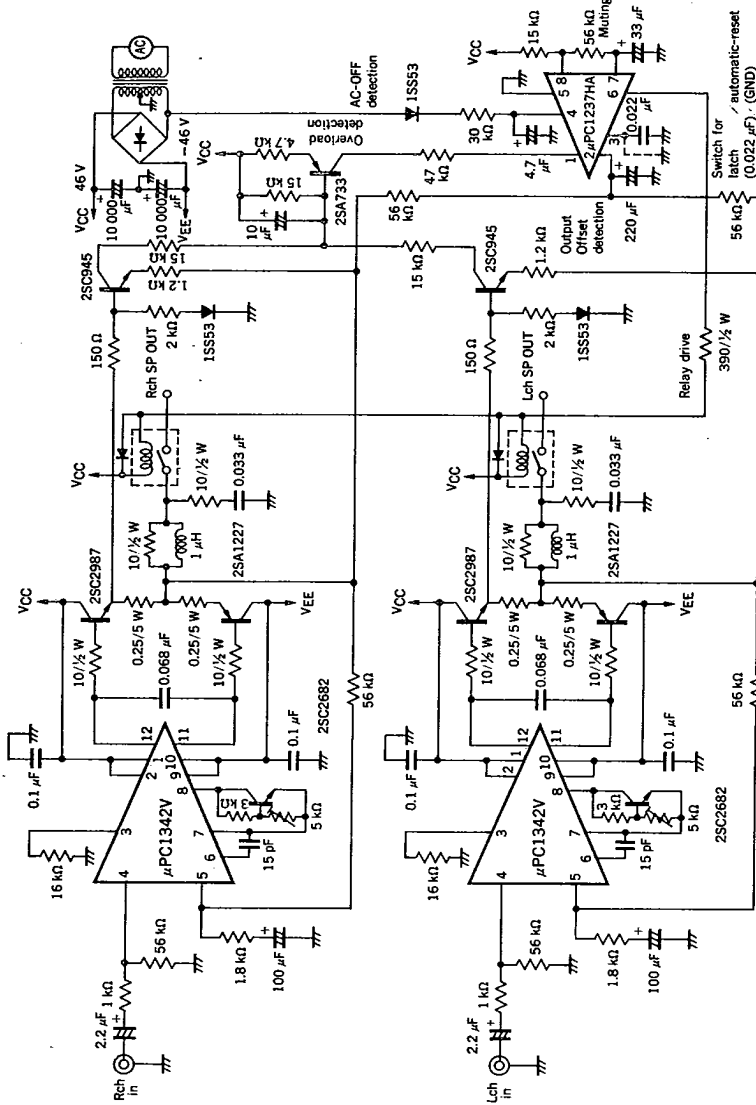
P _O	25 to 40 W	45 to 55 W	50 to 70 W	70 to 80 W	80 to 110 W
Q ₁	2SD1288 2SD2013	2SD1289 2SD1977	2SC3012 2SC4267	2SC2987 2SC2987A 2SC4268	2SC2987A 2SC4268 x 2
Q ₂	2SB965 2SB1336	2SB966 2SB1315	2SA1232 2SA1631	2SA1227 2SA1227A 2SA1632	2SA1227A 2SA1632 x 2

6427525 N E C ELECTRONICS INC

μ PC1342V
05E 23069 D

T-74-05-01

EXAMPLE 1 OF APPLICATION CIRCUIT WITH PROTECTION CIRCUIT (by use of relay)



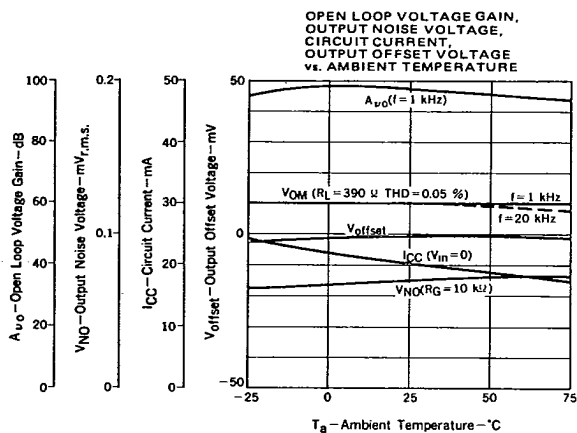
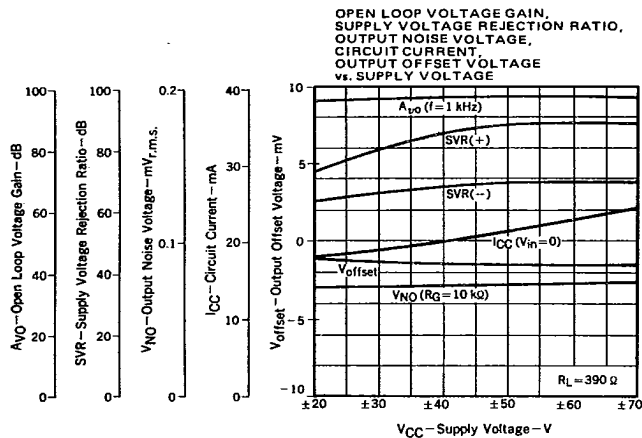
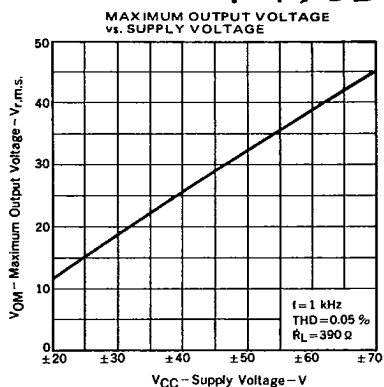
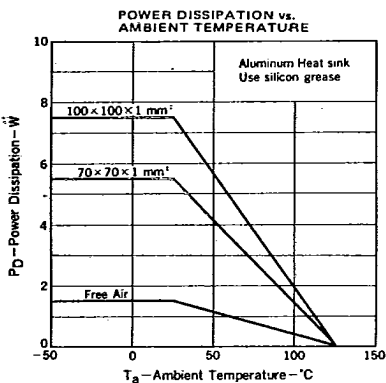
5

μPC1342V

6427525 N E C ELECTRONICS INC

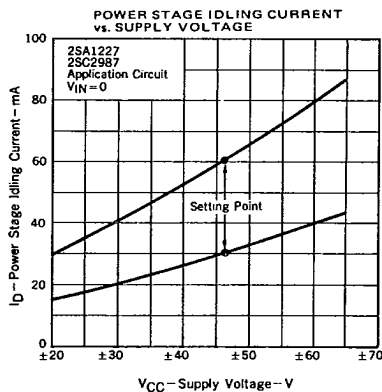
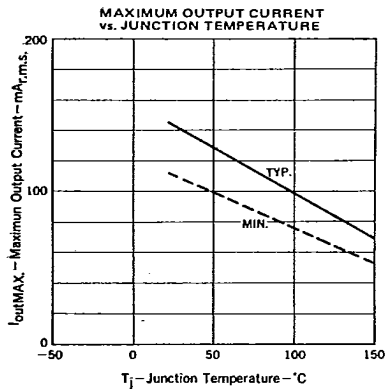
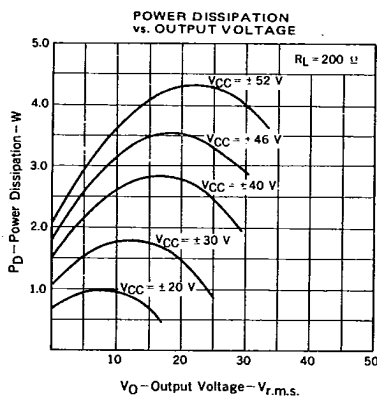
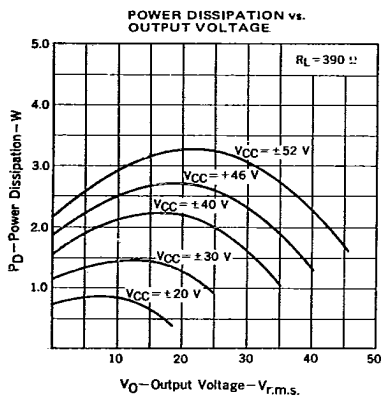
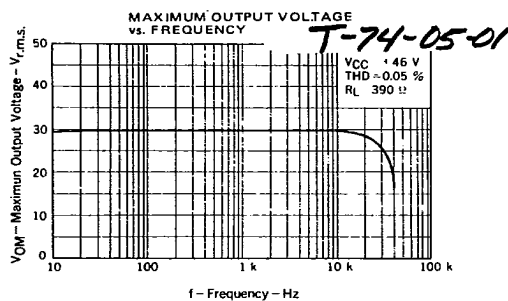
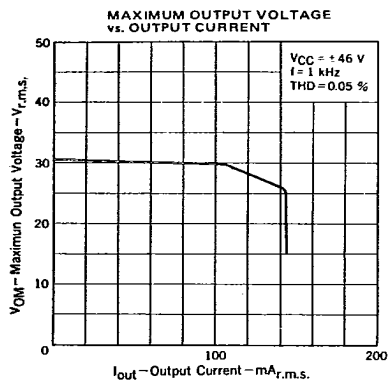
05E 23072 D

T-74-05-01



6427525 N E C ELECTRONICS INC

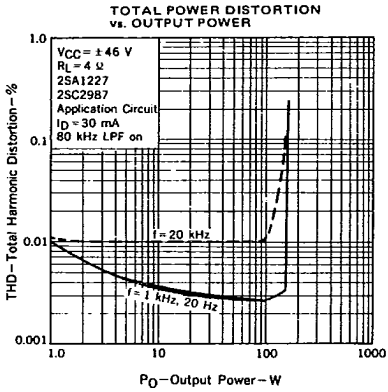
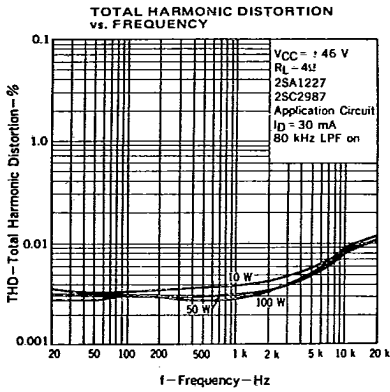
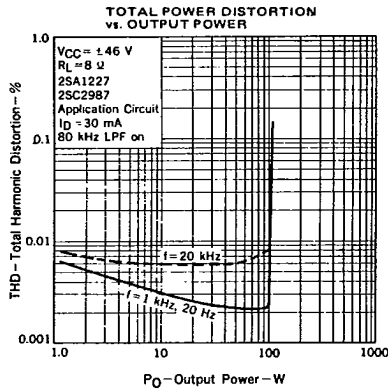
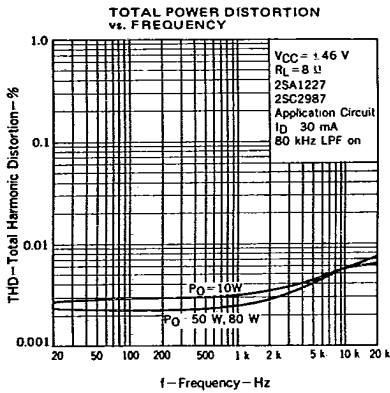
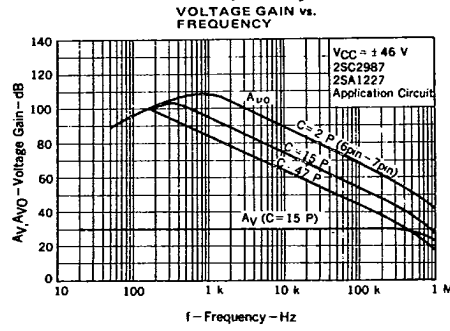
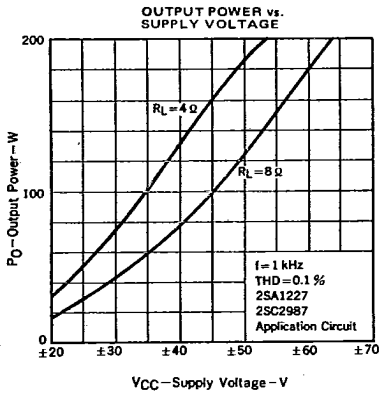
μ PC1342V
05E 23073 D



5

μPC1342V
 6427525 N E C ELECTRONICS INC

05E 23074 D
 T-74-05-01

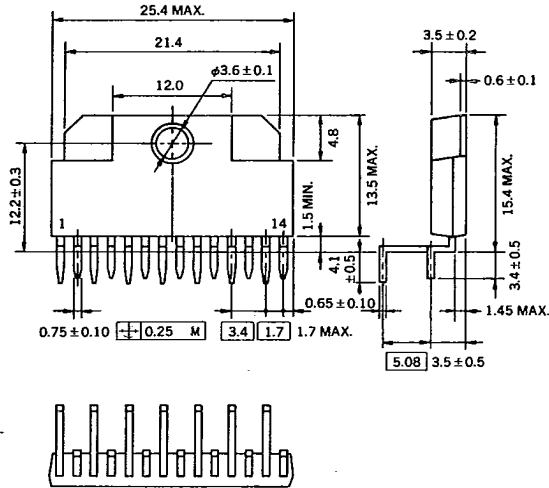


6427525 N E C ELECTRONICS INC

μ PC1342V
05E 23075 D

T-74-05-01

14 PIN V-DIP PACKAGE DIMENSIONS (Unit : mm)



PIN CONNECTION DIAGRAM

PIN No.	PIN CONNECTION
1	+VCCD (for Driver)
2	+VCCP (for Preamp)
3	MUTING
4	INPUT
5	NFB
6	PHASE COMP
7	BIAS
8	BIAS
9	-VCCP (for Preamp)
10	-VCCD (for Driver)
11	LOWER OUTPUT
12	UPPER OUTPUT
13	NC
14	NC

5