

Coaxial Frequency Mixer

Level 7 (LO Power +7 dBm) 2000 to 4200 MHz

ZFM-4212



SMA version shown
CASE STYLE: K18

Maximum Ratings

Operating Temperature	-55°C to 100°C
Storage Temperature	-55°C to 100°C
RF Power	50mW
IF Current	40mA

Coaxial Connections

LO	1
RF	2
IF	3

Features

- low conversion loss, 5.44 dB typ.
- wideband, 100 to 2000 MHz
- rugged shielded case

Applications

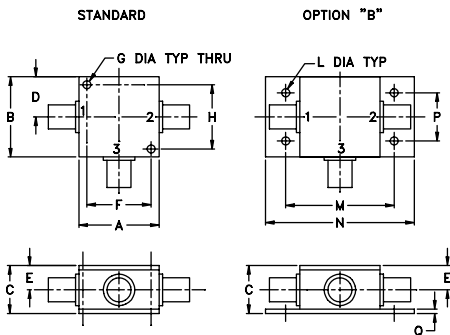
- VHF/UHF
- MMDS
- ISM
- instrumentation

Connectors	Model	Price	Qty.
SMA	ZFM-4212	\$54.95 ea.	(1-9)
BRACKET (OPTION "B")		\$2.50	(1+)

+ RoHS compliant in accordance with EU Directive (2002/95/EC)

The +Suffix identifies RoHS Compliance. See our web site for RoHS Compliance methodologies and qualifications.

Outline Drawing



Outline Dimensions (inch)

A	B	C	D	E	F	G	H
1.25	1.25	.75	.63	.38	1.00	.125	1.000
31.75	31.75	19.05	16.00	9.65	25.40	3.18	25.40
J	K	L	M	N	P	Q	wt
--	--	.125	1.688	2.18	.75	.07	grams
--	--	3.18	42.88	55.37	19.05	1.78	70.0

Electrical Specifications

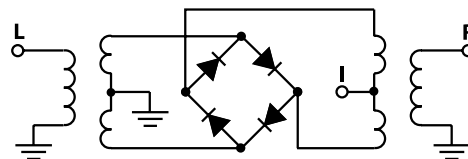
FREQUENCY (MHz)		CONVERSION LOSS (dB)				LO-RF ISOLATION (dB)		LO-IF ISOLATION (dB)	
LO/RF	IF	Mid-Band			Total Range	Typ.	Min.	Typ.	Min.
f_L-f_U		\bar{X}	σ	Max.	Max.				
2000-4200	DC-1300	5.44	0.088	—	8.5	25	17	18	10

1 dB COMP.: +1 dBm typ.

Typical Performance Data

Frequency (MHz)		Conversion Loss (dB)	Isolation L-R (dB)	Isolation L-I (dB)	VSWR RF Port (:1)	VSWR LO Port (:1)
RF	LO	LO +7dBm	LO +7dBm	LO +7dBm	LO +7dBm	LO +7dBm
2000.00	1940.00	5.05	25.3	13.6	1.99	6.73
2043.75	1983.75	5.10	25.3	13.5	1.99	6.26
2187.50	2127.50	5.57	23.6	13.9	1.99	5.85
2331.25	2271.25	5.78	24.4	14.0	1.91	6.05
2475.00	2415.00	5.92	26.5	14.6	2.01	6.49
2618.75	2558.75	5.81	27.7	15.9	2.35	6.49
2762.50	2702.50	5.64	28.3	16.2	2.43	6.49
2906.24	2846.24	5.68	28.1	17.2	2.37	6.26
3000.00	2940.00	5.85	28.7	18.2	2.40	6.73
3050.00	2990.00	5.85	28.1	18.5	2.43	7.60
3193.75	3133.75	5.82	27.2	18.7	2.27	8.72
3337.50	3277.50	5.56	26.7	19.2	2.10	8.31
3481.25	3421.25	5.52	27.4	17.9	2.25	8.72
3625.00	3565.00	5.73	27.4	16.5	2.12	5.49
3768.75	3708.75	6.35	27.1	16.0	2.30	4.32
3912.50	3852.50	6.33	28.6	15.6	2.30	4.53
4000.00	3940.00	6.09	29.9	15.5	2.18	4.42
4056.25	3996.25	5.82	30.5	15.4	1.96	4.32
4066.00	4006.00	5.85	30.6	15.3	1.91	4.32
4119.00	4059.00	5.84	30.6	15.2	1.73	4.12

Electrical Schematic



Mini-Circuits®
ISO 9001 ISO 14001 CERTIFIED

ALL NEW
minicircuits.com

P.O. Box 350166, Brooklyn, New York 11235-0003 (718) 934-4500 Fax (718) 332-4661 For detailed performance specs & shopping online see Mini-Circuits web site



The Design Engineers Search Engine Provides ACTUAL Data Instantly From MINI-CIRCUITS At: www.minicircuits.com

RF/IF MICROWAVE COMPONENTS

REV. OR
M93678
ZFM-4200
DJ/TD/CP
061211
Page 1 of 2

