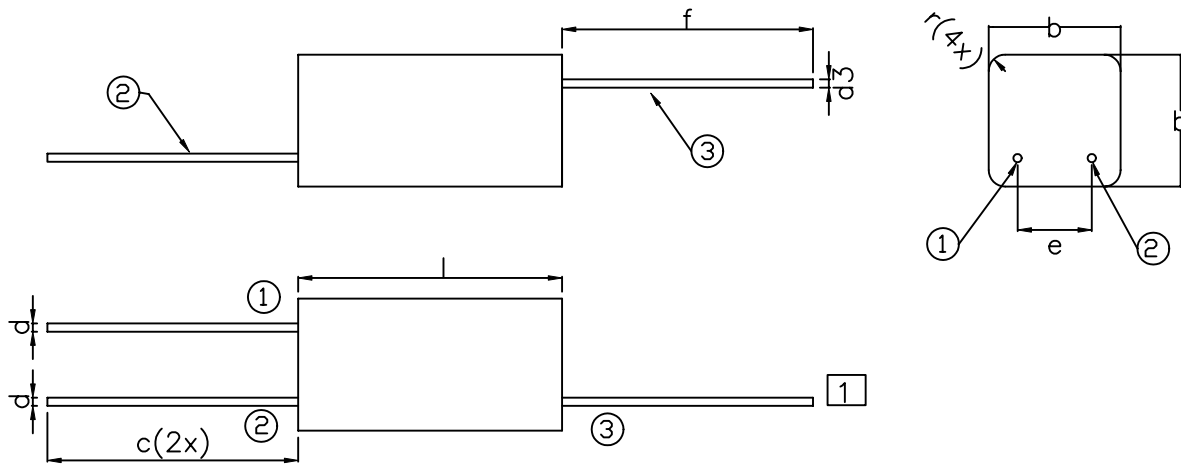


MECHANICAL DATA



Note : Wire without insulation.

Dimensions (mm)

e : 4.5+/-1.5
l : 16+/-0.5
d : 0.6 Dia
r : R1.5
a :
b : 8.0+/-0.3

c : 50+/-5
f : 50+/-5
n :
k :
d3: 0.5 Dia
:

:
:
:
:
:
:

Pin no.1	Primary	Pin no.2	Primary & Secondary
Pin no.3	Secondary High Voltage		

Remarks :

Operating temp.: -30°C to +150°C

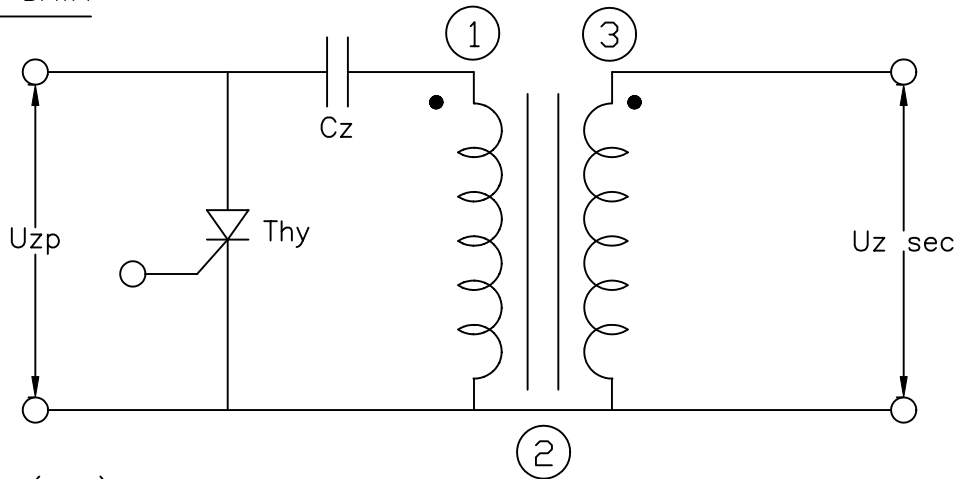
Storage temp.: -10°C to +80°C

				Number of sheets 2	Sheet no. 1
				Date 7.8.01	Sign. Chong SP
				Drawn by	
				Checked by	
				Type	
1	1/1 X 1	16/8/02	PK NG	ZS 1052-10B UL	
Index	Changes	Date	Sign.		



47 Ayer Rajah Crescent #06-12
Singapore 139947
Tel : (065) 67752022
Fax : (065) 67782370

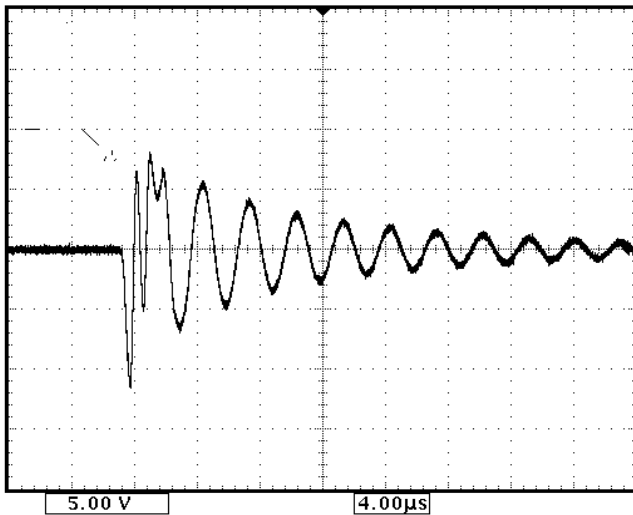
OPERATING DATA



Dimensions (mm)

ITEMS	PRIMARY	SECONDARY
Resistance	325 mohm max	150+/-15 ohm
Primary Voltage, Uzp	Uzp = 300V	---
Primary Capacitance, Cz	0.047 uF	---
Secondary Voltage, Uz	---	9.5 kV min
Polarity of 1st peak	---	1st peak Negative
Inductance @ 1kHz	20+/-4 uH	20+/-5 mH

Typical waveform :



Unloaded high voltage output
4 us/div 5 kV/div

				Number of sheets	Sheet no.
				2	2
				Date	Sign.
				7.8.01	Chong SP
				Checked by	
				Type	
				ZS 1052-10B UL	
1	1/1 X 1	16/8/02	PK NG		
Index	Changes	Date	Sign.		



47 Ayer Rajah Crescent #06-12
Singapore 139947
Tel : (065) 67752022
Fax : (065) 67782370