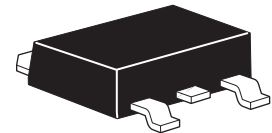


ZXMN10A25K

100V DPAK N-channel enhancement mode MOSFET

Summary

$V_{(BR)DSS}$	$R_{DS(on)}$ (V)	I_D (A)
100	0.125 @ $V_{GS} = 10V$	6.4
	0.150 @ $V_{GS} = 6V$	5.8



Description

This new generation trench MOSFET from Zetex features a unique structure combining the benefits of low on-resistance and fast switching, making it ideal for high efficiency power management applications.

Features

- Low on-resistance
- Fast switching speed
- Low gate drive
- DPAK package

Applications

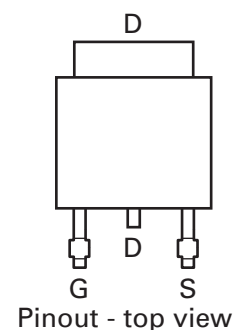
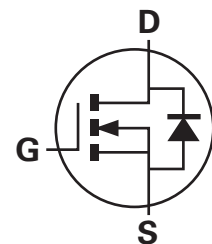
- DC-DC converters
- Power management functions
- Disconnect switches
- Motor control

Ordering information

Device	Reel size (inches)	Tape width (mm)	Quantity per reel
ZXMN10A25KTC	13	16	2,500

Device marking

ZXMN
10A25



ZXMN10A25K

Absolute maximum ratings

Parameter	Symbol	Limit	Unit
Drain-source voltage	V_{DSS}	100	V
Gate-source voltage	V_{GS}	± 20	V
Continuous drain current @ $V_{GS} = 10V$; $T_{amb} = 25^{\circ}C$ (b) @ $V_{GS} = 10V$; $T_{amb} = 70^{\circ}C$ (b) @ $V_{GS} = 10V$; $T_{amb} = 25^{\circ}C$ (a)	I_D	6.4 5 4.2	A
Pulsed drain current (c)	I_{DM}	21	A
Continuous source current (body diode) (b)	I_S	10	A
Pulsed source current (body diode) (c)	I_{SM}	21	A
Power dissipation at $T_{amb} = 25^{\circ}C$ (a)	P_D	4.25	W
Linear derating factor		34	mW/ $^{\circ}C$
Power dissipation at $T_{amb} = 25^{\circ}C$ (b)	P_D	9.85	W
Linear derating factor		78.7	mW/ $^{\circ}C$
Power dissipation at $T_{amb} = 25^{\circ}C$ (d)	P_D	2.11	W
Linear derating factor		16.8	mW/ $^{\circ}C$
Operating and storage temperature range	T_j, T_{stg}	-55 to +150	$^{\circ}C$

Thermal resistance

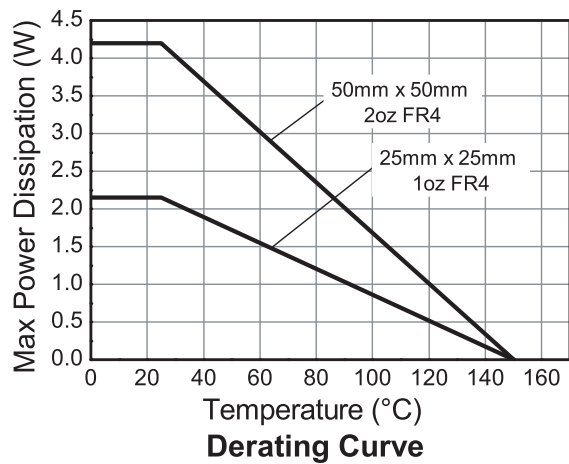
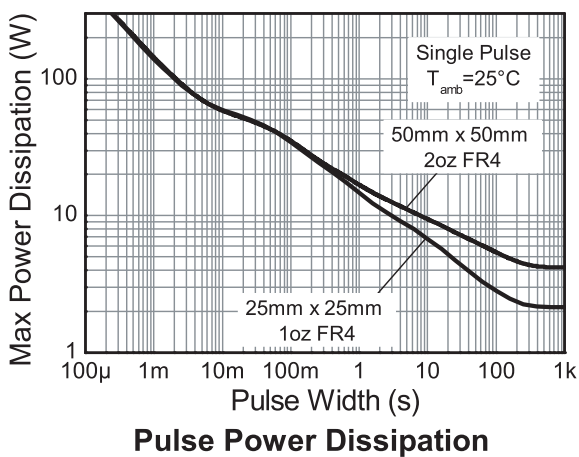
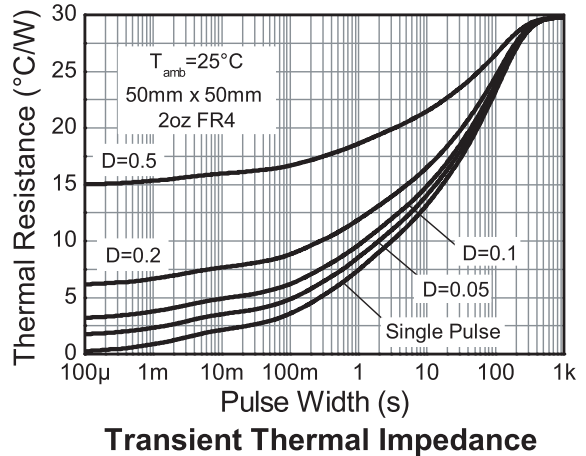
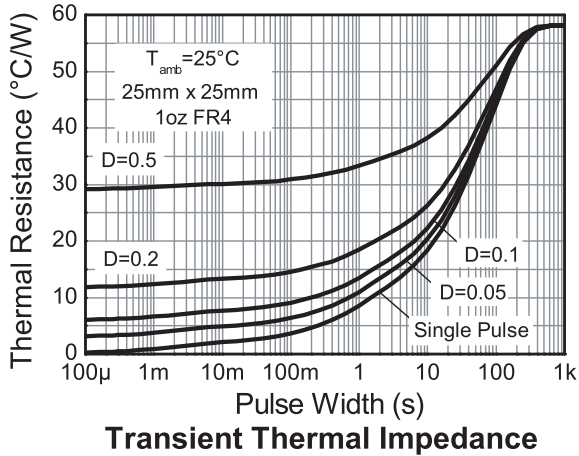
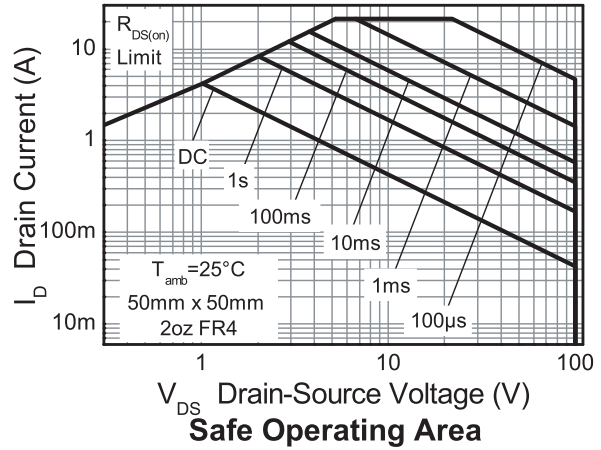
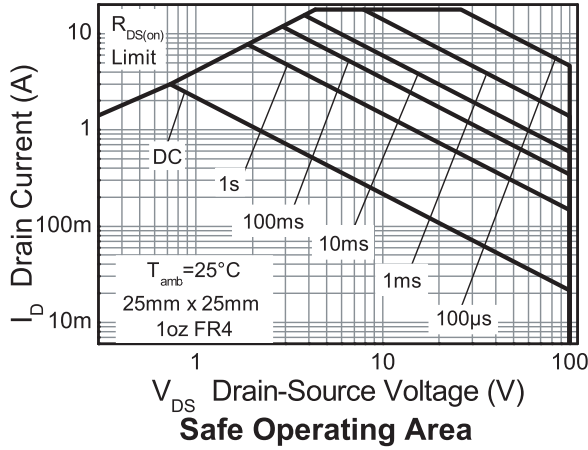
Parameter	Symbol	Limit	Unit
Junction to ambient	$R_{\theta JA}$	29.4	$^{\circ}C/W$
Junction to ambient	$R_{\theta JA}$	12.7	$^{\circ}C/W$
Junction to ambient	$R_{\theta JA}$	59.1	$^{\circ}C/W$

NOTES:

- (a) For a device surface mounted on 50mm x 50mm x 1.6mm FR4 PCB with high coverage of single sided 2oz copper, in still air conditions.
- (b) For a device surface mounted on FR4 PCB measured at $t \leq 10$ sec.
- (c) Repetitive rating 50mm x 50mm x 1.6mm FR4 PCB, $D=0.02$ pulse width=300 μs - pulse width limited by maximum junction temperature.
- (d) For a device surface mounted on 25mm x 25mm x 1.6mm FR4 PCB with high coverage of single sided 1oz copper, in still air conditions.

ZXMN10A25K

Thermal characteristics



ZXMN10A25K

Electrical characteristics (at $T_{amb} = 25^{\circ}\text{C}$ unless otherwise stated)

Parameter	Symbol	Min.	Typ.	Max.	Unit	Conditions
Static						
Drain-source breakdown voltage	$V_{(BR)DSS}$	100			V	$I_D = 250\mu\text{A}$, $V_{GS} = 0\text{V}$
Zero gate voltage drain current	I_{DSS}			0.5	μA	$V_{DS} = 100\text{V}$, $V_{GS} = 0\text{V}$
Gate-body leakage	I_{GSS}			100	nA	$V_{GS} = \pm 20\text{V}$, $V_{DS} = 0\text{V}$
Gate-source threshold voltage	$V_{GS(th)}$	2.0		4.0	V	$I_D = 250\mu\text{A}$, $V_{DS} = V_{GS}$
Static drain-source on-state resistance ^(*)	$R_{DS(on)}$			0.125	Ω	$V_{GS} = 10\text{V}$, $I_D = 2.9\text{A}$
				0.150	Ω	$V_{GS} = 6\text{V}$, $I_D = 2.6\text{A}$
Forward transconductance ^{(*)(‡)}	g_{fs}		7.3		S	$V_{DS} = 15\text{V}$, $I_D = 2.9\text{A}$
Dynamic^(‡)						
Input capacitance	C_{iss}		859		pF	$V_{DS} = 50\text{V}$, $V_{GS} = 0\text{V}$ $f = 1\text{MHz}$
Output capacitance	C_{oss}		57.3		pF	
Reverse transfer capacitance	C_{rss}		33		pF	
Switching^(†) (‡)						
Turn-on-delay time	$t_{d(on)}$		4.9		ns	$V_{DD} = 50\text{V}$, $I_D = 1\text{A}$ $R_G = 6.0\Omega$, $V_{GS} = 10\text{V}$
Rise time	t_r		3.7		ns	
Turn-off delay time	$t_{d(off)}$		17.7		ns	
Fall time	t_f		9.4		ns	
Gate charge	Q_g		9.6		nC	$V_{DS} = 50\text{V}$, $V_{GS} = 5\text{V}$ $I_D = 2.9\text{A}$
Total gate charge	Q_g		17.16		nC	$V_{DS} = 50\text{V}$, $V_{GS} = 10\text{V}$ $I_D = 2.9\text{A}$
Gate-source charge	Q_{gs}		3.77		nC	
Gate drain charge	Q_{gd}		5.36		nC	
Source-drain diode						
Diode forward voltage ^(*)	V_{SD}		0.85	0.95	V	$T_j = 25^{\circ}\text{C}$, $I_S = 4\text{A}$, $V_{GS} = 0\text{V}$
Reverse recovery time ^(‡)	t_{rr}		40.5		ns	$T_j = 25^{\circ}\text{C}$, $I_S = 2.9\text{A}$, $di/dt = 100\text{A}/\mu\text{s}$
Reverse recovery charge ^(‡)	Q_{rr}		62		nC	

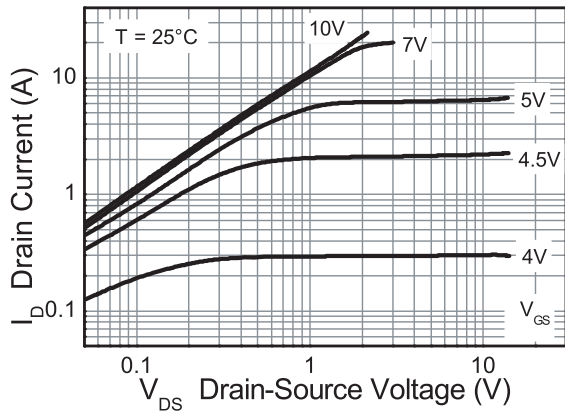
NOTES:

(*) Measured under pulsed conditions. Pulse width $\leq 300\mu\text{s}$; duty cycle $\leq 2\%$.

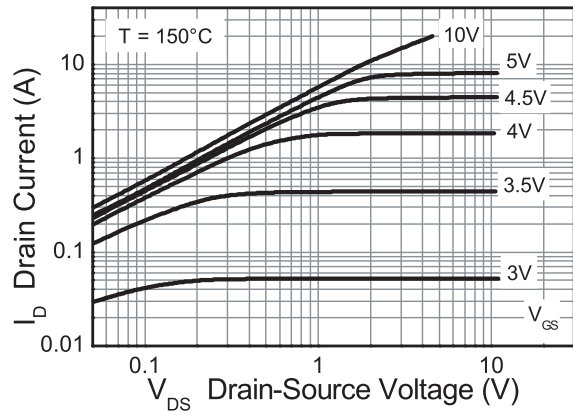
(†) Switching characteristics are independent of operating junction temperature.

(‡) For design aid only, not subject to production testing.

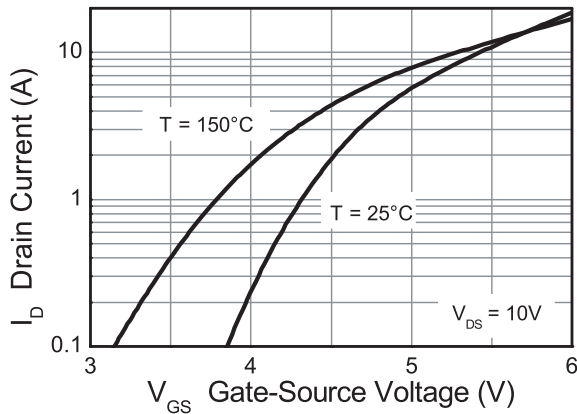
Typical characteristics



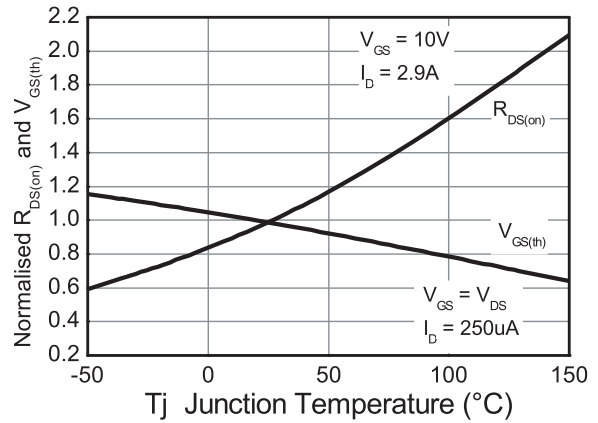
Output Characteristics



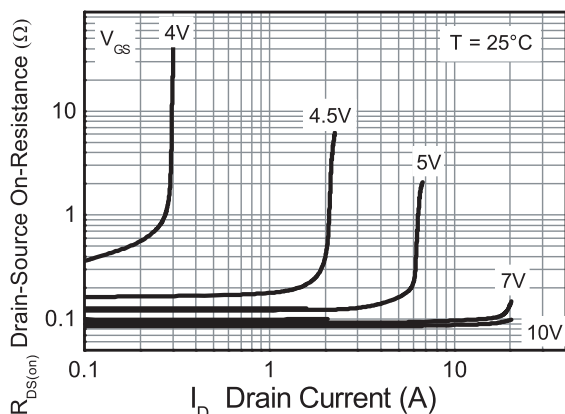
Output Characteristics



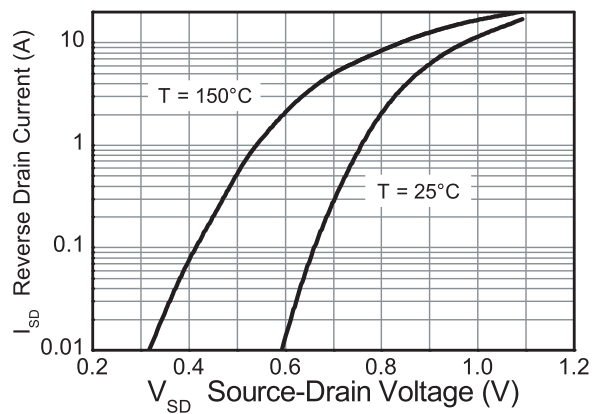
Typical Transfer Characteristics



Normalised Curves v Temperature

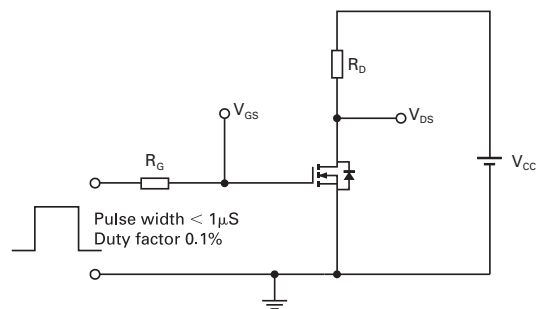
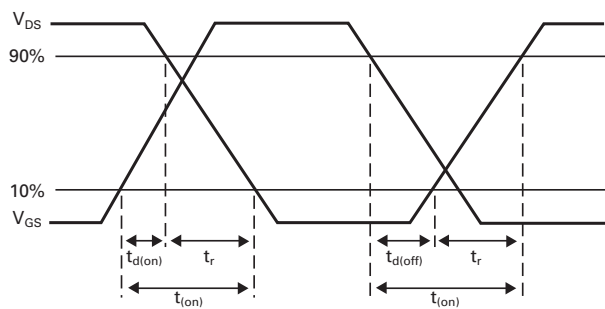
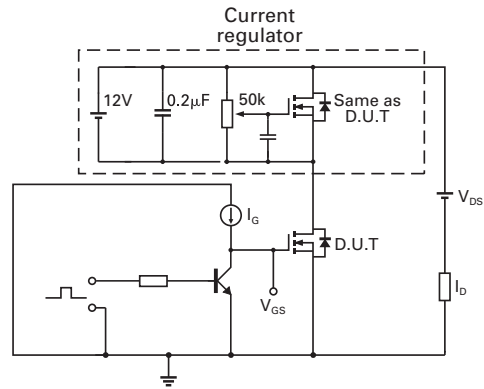
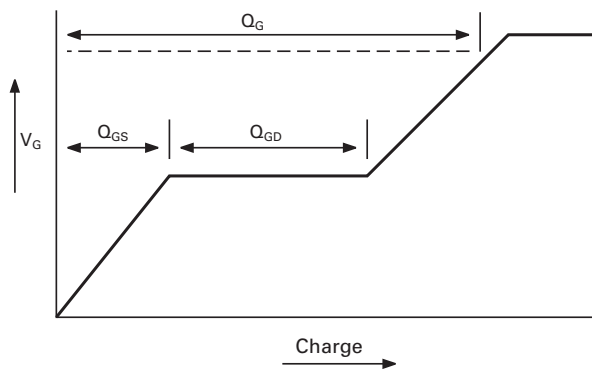
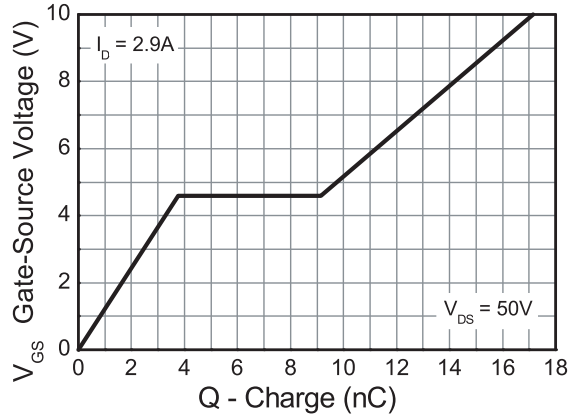
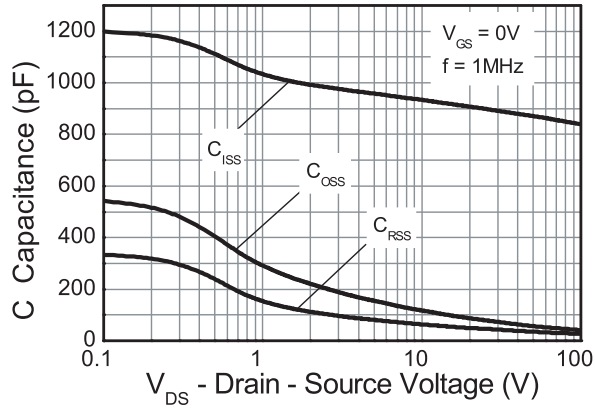


On-Resistance v Drain Current



Source-Drain Diode Forward Voltage

Typical characteristics

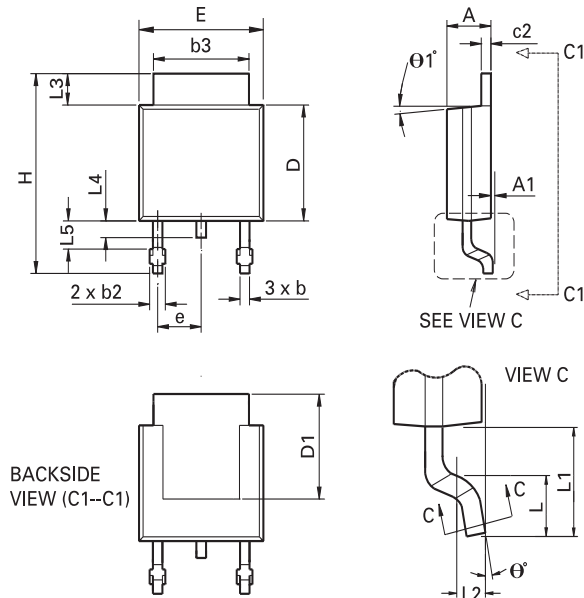


ZXMN10A25K

Intentionally left blank

ZXMN10A25K

Package outline - DPAK



DIM	Inches		Millimeters		DIM	Inches		Millimeters	
	Min	Max	Min	Max		Min	Max	Min	Max
A	0.086	0.094	2.18	2.39	e	0.090 BSC		2.29 BSC	
A1	-	0.005	-	0.127	H	0.370	0.410	9.40	10.41
b	0.020	0.035	0.508	0.89	L	0.055	0.070	1.40	1.78
b2	0.030	0.045	0.762	1.14	L1	0.108 REF		2.74 REF	
b3	0.205	0.215	5.21	5.46	L2	0.020 BSC		0.508 BSC	
c	0.018	0.024	0.457	0.61	L3	0.035	0.065	0.89	1.65
c2	0.018	0.023	0.457	0.584	L4	0.025	0.040	0.635	1.016
D	0.213	0.245	5.41	6.22	L5	0.045	0.060	1.14	1.52
D1	0.205	-	5.21	-	theta 1°	0°	10°	0°	10°
E	0.250	0.265	6.35	6.73	theta 0°	0°	15°	0°	15°
E1	0.170	-	4.32	-	-	-	-	-	-

Note: Controlling dimensions are in inches. Approximate dimensions are provided in millimeters

Europe	Americas	Asia Pacific	Corporate Headquarters
Zetex GmbH Kustermann-park Balanstraße 59 D-81541 München Germany Telephone: (49) 89 45 49 49 0 Fax: (49) 89 45 49 49 49 europe.sales@zetex.com	Zetex Inc 700 Veterans Memorial Highway Hauppauge, NY 11788 USA Telephone: (1) 631 360 2222 Fax: (1) 631 360 8222 usa.sales@zetex.com	Zetex (Asia Ltd) 3701-04 Metroplaza Tower 1 Hing Fong Road, Kwai Fong Hong Kong Telephone: (852) 26100 611 Fax: (852) 24250 494 asia.sales@zetex.com	Zetex Semiconductors plc Zetex Technology Park, Chadderton Oldham, OL9 9LL United Kingdom Telephone: (44) 161 622 4444 Fax: (44) 161 622 4446 hq@zetex.com

For international sales offices visit www.zetex.com/offices

Zetex products are distributed worldwide. For details, see www.zetex.com/salesnetwork

This publication is issued to provide outline information only which (unless agreed by the company in writing) may not be used, applied or reproduced for any purpose or form part of any order or contact or be regarded as a representation relating to the products or services concerned. The company reserves the right to alter without notice the specification, design, price or conditions of supply of any product or service.