



**SANYO Semiconductors**

# DATA SHEET

# LC87F14C8A

CMOS IC

FROM 128K byte, RAM 10K byte on-chip

## 8-bit 1-chip Microcontroller with USB-host controller

### Overview

The SANYO LC87F14C8A is an 8-bit microcomputer that, centered around a CPU running at a minimum bus cycle time of 83.3ns, integrates on a single chip a number of hardware features such as 128K-byte flash ROM (onboard programmable), 10240-byte RAM, an on-chip debugger, a sophisticated 16-bit timers/counters (may be divided into 8-bit timers), 16-bit timer/counter (may be divided into 8-bit timers/counters or 8-bit PWMs), four 8-bit timers with a prescaler, a base timer serving as a time-of-day clock, three synchronous SIO interface (with automatic block transmit/receive function), an asynchronous/synchronous SIO interface, a UART interface (full duplex), a Full-Speed USB interface (host controller), an 8-bit 12-channel AD converter, two 12-bit PWM channels, a system clock frequency divider, ROM correction function, and a 36-source 10-vector address interrupt feature.

### Features

#### ■Flash ROM

- Capable of on-board-programming with wide range, 3.0V to 5.5V, of voltage source.
- Block-erasable in 128-byte units
- 131072 × 8 bits

#### ■RAM

- 10240 × 9 bits

#### ■Minimum Bus Cycle Time

- 83.3ns (CF=12MHz)

Note: The bus cycle time here refers to the ROM read speed.

#### ■Minimum Instruction Cycle Time (tCYC)

- 250ns (CF=12MHz)

\* This product is licensed from Silicon Storage Technology, Inc. (USA), and manufactured and sold by SANYO Semiconductor Co., Ltd.

■ Any and all SANYO Semiconductor Co.,Ltd. products described or contained herein are, with regard to "standard application", intended for the use as general electronics equipment (home appliances, AV equipment, communication device, office equipment, industrial equipment etc.). The products mentioned herein shall not be intended for use for any "special application" (medical equipment whose purpose is to sustain life, aerospace instrument, nuclear control device, burning appliances, transportation machine, traffic signal system, safety equipment etc.) that shall require extremely high level of reliability and can directly threaten human lives in case of failure or malfunction of the product or may cause harm to human bodies, nor shall they grant any guarantee thereof. If you should intend to use our products for applications outside the standard applications of our customer who is considering such use and/or outside the scope of our intended standard applications, please consult with us prior to the intended use. If there is no consultation or inquiry before the intended use, our customer shall be solely responsible for the use.

■ Specifications of any and all SANYO Semiconductor Co.,Ltd. products described or contained herein stipulate the performance, characteristics, and functions of the described products in the independent state, and are not guarantees of the performance, characteristics, and functions of the described products as mounted in the customer's products or equipment. To verify symptoms and states that cannot be evaluated in an independent device, the customer should always evaluate and test devices mounted in the customer's products or equipment.

**SANYO Semiconductor Co., Ltd.**

TOKYO OFFICE Tokyo Bldg., 1-10, 1 Chome, Ueno, Taito-ku, TOKYO, 110-8534 JAPAN

# LC87F14C8A

## ■ Ports

- I/O ports
  - Ports whose I/O direction can be designated in 1-bit units 28 (P10 to P17, P20 to P27, P30 to P34, P70 to P73, PWM0, PWM1, XT2)
  - Ports whose I/O direction can be designated in 4-bit units 8 (P00 to P07)
- USB ports 2 (UHD+, UHD-)
- Dedicated oscillator ports 2 (CF1, CF2)
- Input-only port (also used for oscillation) 1 (XT1)
- Reset pins 1 (RES)
- Power pins 6 (VSS1 to 3, VDD1 to 3)

## ■ Timers

- Timer 0: 16-bit timer/counter with two capture registers.
  - Mode 0: 8-bit timer with an 8-bit programmable prescaler (with two 8-bit capture registers) × 2 channels
  - Mode 1: 8-bit timer with an 8-bit programmable prescaler (with two 8-bit capture registers) + 8-bit counter (with two 8-bit capture registers)
  - Mode 2: 16-bit timer with an 8-bit programmable prescaler (with two 16-bit capture registers)
  - Mode 3: 16-bit counter (with two 16-bit capture registers)
- Timer 1: 16-bit timer/counter that supports PWM/toggle outputs
  - Mode 0: 8-bit timer with an 8-bit prescaler (with toggle outputs) + 8-bit timer/counter with an 8-bit prescaler (with toggle outputs)
  - Mode 1: 8-bit PWM with an 8-bit prescaler × 2 channels
  - Mode 2: 16-bit timer/counter with an 8-bit prescaler (with toggle outputs) (toggle outputs also possible from the lower-order 8 bits)
  - Mode 3: 16-bit timer with an 8-bit prescaler (with toggle outputs) (The lower-order 8 bits can be used as PWM.)
- Timer 4: 8-bit timer with a 6-bit prescaler
- Timer 5: 8-bit timer with a 6-bit prescaler
- Timer 6: 8-bit timer with a 6-bit prescaler (with toggle output)
- Timer 7: 8-bit timer with a 6-bit prescaler (with toggle output)
- Base timer
  - 1) The clock is selectable from the subclock (32.768kHz crystal oscillation), system clock, and timer 0 prescaler output.
  - 2) Interrupts programmable in 5 different time schemes

## ■ SIO

- SIO0: Synchronous serial interface
  - 1) LSB first/MSB first mode selectable
  - 2) Transfer clock cycle: 4/3 to 512/3 tCYC
  - 3) Automatic continuous data transmission (1 to 256 bits, specifiable in 1 bit units, suspension and resumption of data transmission possible in 1 byte units)
- SIO1: 8-bit asynchronous/synchronous serial interface
  - Mode 0: Synchronous 8-bit serial I/O (2- or 3-wire configuration, 2 to 512 tCYC transfer clocks)
  - Mode 1: Asynchronous serial I/O (half-duplex, 8 data bits, 1 stop bit, 8 to 2048 tCYC baudrates)
  - Mode 2: Bus mode 1 (start bit, 8 data bits, 2 to 512 tCYC transfer clocks)
  - Mode 3: Bus mode 2 (start detect, 8 data bits, stop detect)
- SIO4: Synchronous serial interface
  - 1) LSB first/MSB first mode selectable
  - 2) Transfer clock cycle: 4/3 to 1020/3 tCYC
  - 3) Automatic continuous data transmission (1 to 4096 bytes, specifiable in 1 byte units, suspension and resumption of data transmission possible in 1 byte or 2 bytes units)
  - 4) Auto-start-on-falling-edge function
  - 5) Clock polarity selectable
  - 6) CRC16 calculator circuit built in

Continued on next page.

# LC87F14C8A

Continued from preceding page.

- SIO9: Synchronous serial interface
  - 1) LSB first/MSB first mode selectable
  - 2) Transfer clock cycle: 4/3 to 1020/3 tCYC
  - 3) Automatic continuous data transmission (1 to 4096 bytes, specifiable in 1 byte units, suspension and resumption of data transmission possible in 1 byte or 2 bytes units)
  - 4) Auto-start-on-falling-edge function
  - 5) Clock polarity selectable
  - 6) CRC16 calculator circuit built in

## ■ Full Duplex UART

- UART1
  - 1) Data length: 7/8/9 bits selectable
  - 2) Stop bits: 1 bit (2 bits in continuous transmission mode)
  - 3) Baud rate: 16/3 to 8192/3 tCYC

## ■ AD Converter: 8 bits × 12 channels

## ■ PWM: Multifrequency 12-bit PWM × 2 channels

## ■ USB Interface (host controller)

- Full-Speed is supported
- Transfer type: Control, Bulk, Interrupt, or Isochronous transfer possible

## ■ Watchdog Timer

- External RC watchdog timer
- Interrupt and reset signals selectable

## ■ Clock Output Function

- 1) Able to output selected oscillation clock 1/1, 1/2, 1/4, 1/8, 1/16, 1/32, 1/64 as system clock.
- 2) Able to output oscillation clock of sub clock.

## ■ Interrupts

- 36 sources, 10 vector addresses
  - 1) Provides three levels (low (L), high (H), and highest (X)) of multiplex interrupt control. Any interrupt requests of the level equal to or lower than the current interrupt are not accepted.
  - 2) When interrupt requests to two or more vector addresses occur at the same time, the interrupt of the highest level takes precedence over the other interrupts. For interrupts of the same level, the interrupt into the smallest vector address takes precedence.

No.	Vector Address	Level	Interrupt Source
1	00003H	X or L	INT0
2	0000BH	X or L	INT1
3	00013H	H or L	INT2 / T0L / INT4/ UHC bus active
4	0001BH	H or L	INT3 / INT5 / base timer
5	00023H	H or L	T0H/ INT6 / UHC device attach / UHC device detach / UHC resume
6	0002BH	H or L	T1L / T1H / INT7 / SIO9
7	00033H	H or L	SIO0 / UART1 receive
8	0003BH	H or L	SIO1 / SIO4 / UART1 transmit
9	00043H	H or L	ADC / T6 / T7 / UHC-ACK / UHC-NAK / UHC error / UHC STALL
10	0004BH	H or L	Port 0 / PWM0 / PWM1 / T4 / T5 / UHC-SOF

- Priority levels X > H > L
- Of interrupts of the same level, the one with the smallest vector address takes precedence.

## ■ Subroutine Stack Levels: 5120 levels (the stack is allocated in RAM.)

# LC87F14C8A

## ■High-speed Multiplication/Division Instructions

- 16 bits × 8 bits (5 tCYC execution time)
- 24 bits × 16 bits (12 tCYC execution time)
- 16 bits ÷ 8 bits (8 tCYC execution time)
- 24 bits ÷ 16 bits (12 tCYC execution time)

## ■Oscillation Circuits

- RC oscillation circuit (internal): For system clock
- CF oscillation circuit: For system clock, USB interface
- Crystal oscillation circuit: For system clock, time-of-day clock
- PLL circuit (internal): For USB interface (see Fig.5)

## ■Standby Function

- HALT mode: Halts instruction execution while allowing the peripheral circuits to continue operation.
  - 1) Oscillation is not halted automatically.
  - 2) Canceled by a system reset or occurrence of an interrupt.
- HOLD mode: Suspends instruction execution and the operation of the peripheral circuits.
  - 1) The PLL base clock generator, CF, RC and crystal oscillators automatically stop operation.
  - 2) There are four ways of resetting the HOLD mode.
    - (1) Setting the reset pin to the lower level.
    - (2) Setting at least one of the INT0, INT1, INT2, INT4, and INT5 pins to the specified level
    - (3) Having an interrupt source established at port 0
    - (4) Having an bus active interrupt source established in the USB host controller circuit
- X'tal HOLD mode: Suspends instruction execution and the operation of the peripheral circuits except the base timer.
  - 1) The PLL base clock generator, CF and RC oscillator automatically stop operation.
  - 2) The state of crystal oscillation established when the X'tal HOLD mode is entered is retained.
  - 3) There are five ways of resetting the X'tal HOLD mode.
    - (1) Setting the reset pin to the low level
    - (2) Setting at least one of the INT0, INT1, INT2, INT4, and INT5 pins to the specified level
    - (3) Having an interrupt source established at port 0
    - (4) Having an interrupt source established in the base timer circuit
    - (5) Having an bus active interrupt source established in the USB host controller circuit

## ■ROM correction function

- Executes the correction program on detection of a match with the program counter value.
- Correction program area size: 128 bytes

## ■Package Form

- TQFP48J(7×7): Lead-free type
- QIP48E(14×14): Lead-free type

## ■Development Tools

- On-chip debugger: TCB87 type-A or TCB87 type-B + LC87F14C8A

## ■Flash ROM Programming Boards

Package	Programming boards
QIP48E	W87F55256Q
TQFP48J(7 × 7)	W87F55256SQ

# LC87F14C8A

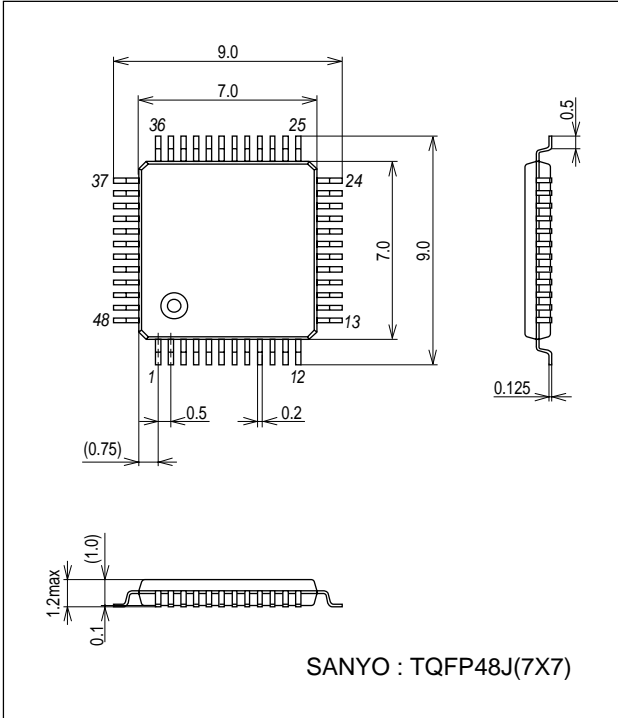
## ■ Recommended EPROM Programmer

Maker	Model	Supported version	Device
Flash Support Group, Inc. (Single)	AF9708/AF9709/AF9709B (including product of Ando Electric Co.,Ltd)	After 02.35	LC87F5JC8A FAST
Flash Support Group, Inc. (Gang)	AF9723(Main body) (including product of Ando Electric Co.,Ltd)	After 02.04	LC87F5JC8A FAST
	AF9833(Unit) (including product of Ando Electric Co.,Ltd)	After 01.83	
SANYO	SKK(Sanyo FWS)	Application Version :After 1.03 Chip Data Version :After 2.01	LC87F14C8

## Package Dimensions

unit : mm (typ)

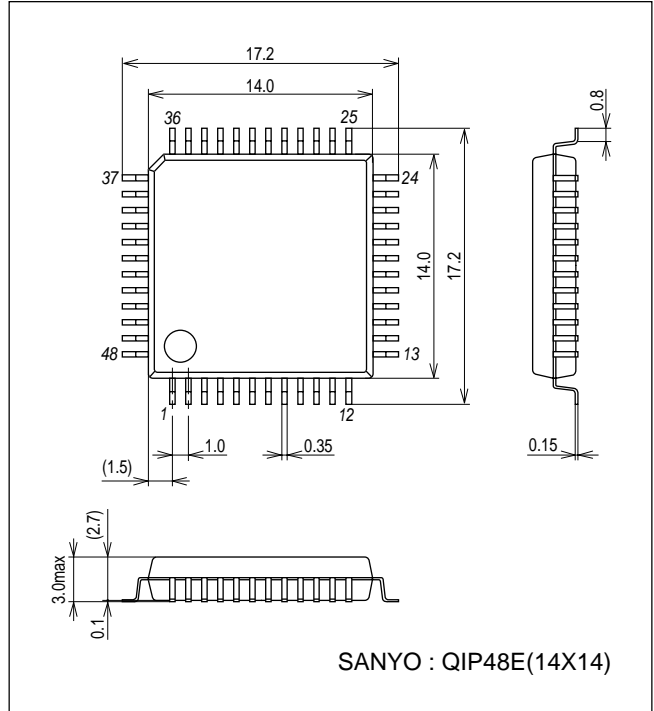
3288



## Package Dimensions

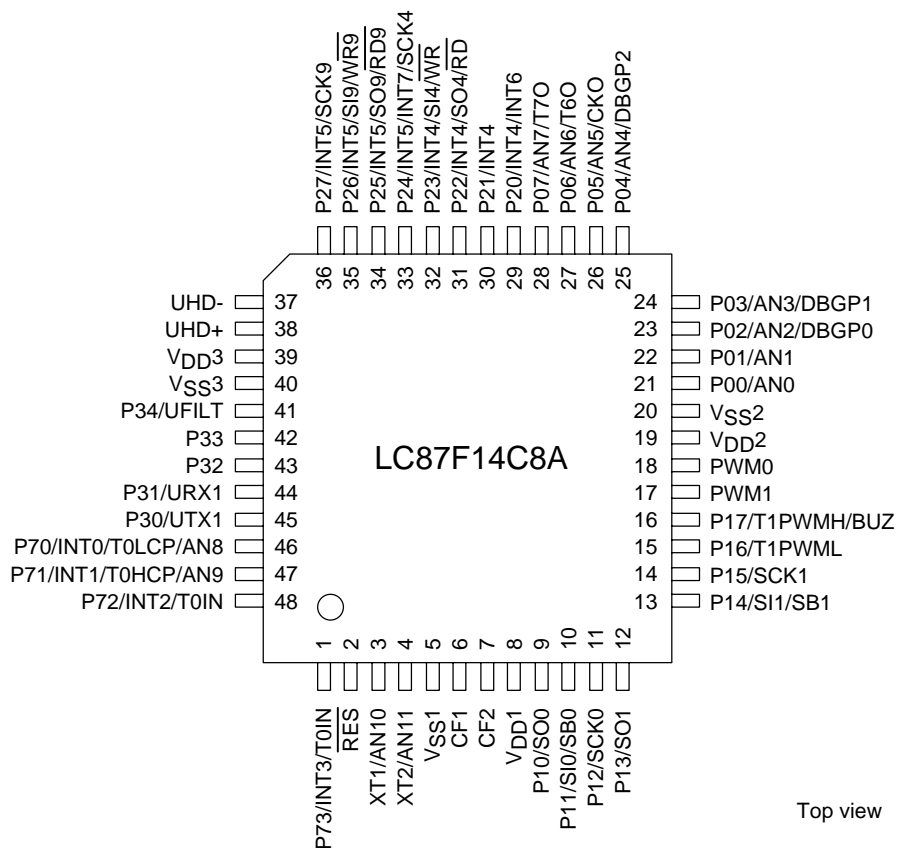
unit : mm (typ)

3156A



# LC87F14C8A

## Pin Assignment

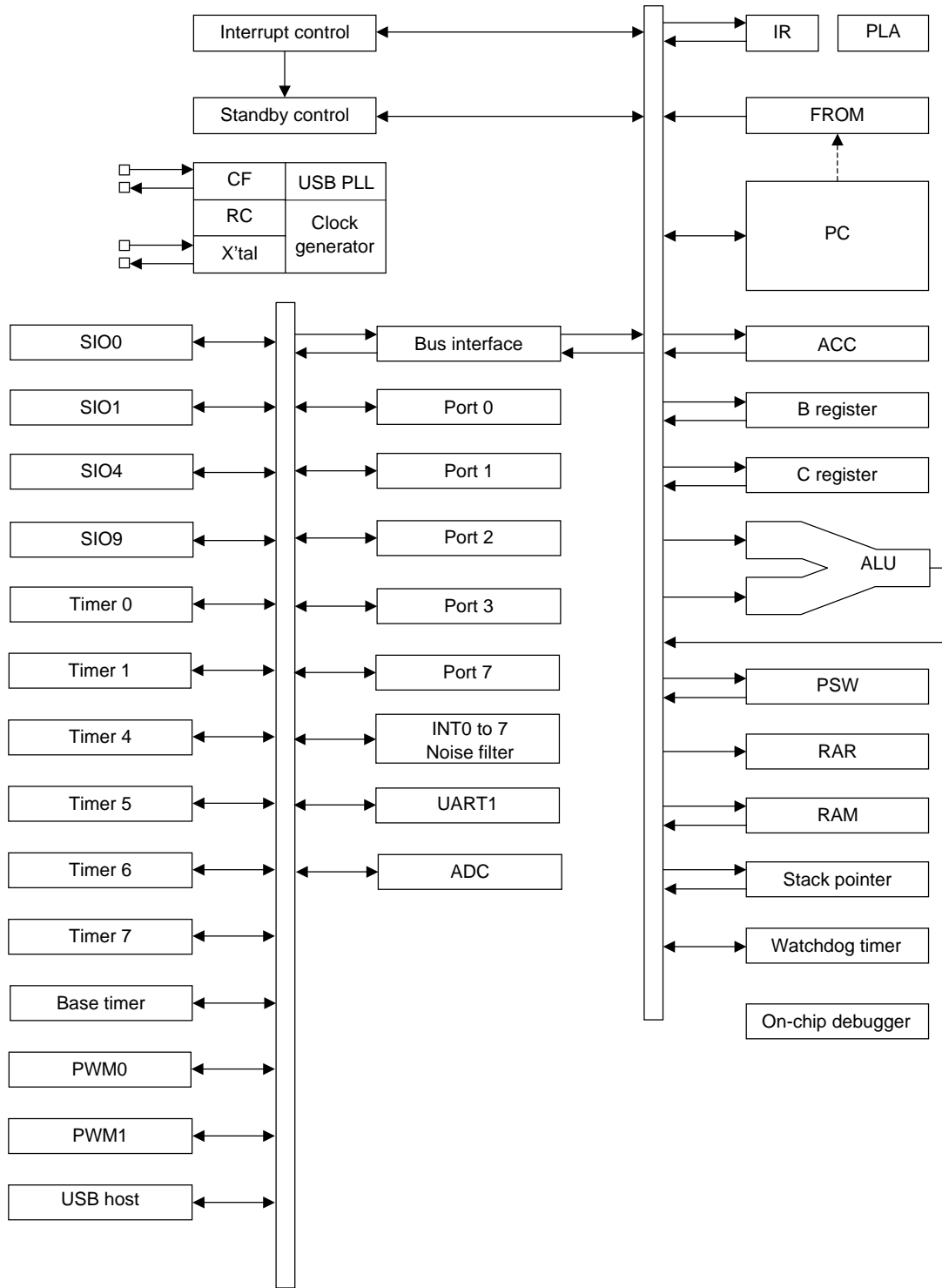


SANYO : TQFP48J(7×7) “Lead-free Type”  
 SANYO : QIP48E(14×14) “Lead-free Type”

TQFP48J/QIP48E	NAME
1	P73/INT3/T0IN
2	RES
3	XT1/AN10
4	XT2/AN11
5	VSS1
6	CF1
7	CF2
8	VDD1
9	P10/SO0
10	P11/SI0/SB0
11	P12/SCK0
12	P13/SO1
13	P14/SI1/SB1
14	P15/SCK1
15	P16/T1PWML
16	P17/T1PWMH/BUZ
17	PWM1
18	PWM0
19	VDD2
20	VSS2
21	P00/AN0
22	P01/AN1
23	P02/AN2/DBGP0
24	P03/AN3/DBGP1

TQFP48J/QIP48E	NAME
25	P04/AN4/DBGP2
26	P05/AN5/CKO
27	P06/AN6/T6O
28	P07/AN7/T7O
29	P20/INT4/INT6
30	P21/INT4
31	P22/INT4/SO4/RD
32	P23/INT4/SI4/WR
33	P24/INT5/INT7/SCK4
34	P25/INT5/SO9/RD9
35	P26/INT5/SI9/WR9
36	P27/INT5/SCK9
37	UHD-
38	UHD+
39	VDD3
40	VSS3
41	P34/UFILT
42	P33
43	P32
44	P31/URX1
45	P30/UTX1
46	P70/INT0/T0LCP/AN8
47	P71/INT1/T0HCP/AN9
48	P72/INT2/T0IN

System Block Diagram



# LC87F14C8A

## Pin Description

Pin Name	I/O	Description	Option																														
V <sub>SS1</sub> , V <sub>SS2</sub> , V <sub>SS3</sub>	-	- power supply pin	No																														
V <sub>DD1</sub> , V <sub>DD2</sub>	-	+ power supply pin	No																														
V <sub>DD3</sub>	-	USB reference voltage pin	Yes																														
Port 0 P00 to P07	I/O	<ul style="list-style-type: none"> <li>• 8-bit I/O port</li> <li>• I/O specifiable in 4-bit units</li> <li>• Pull-up resistors can be turned on and off in 4-bit units.</li> <li>• HOLD reset input</li> <li>• Port 0 interrupt input</li> <li>• Pins functions</li> </ul> AD converter input port: AN0 to AN7 (P00 to P07) On-chip debugger pins: DBGPO to DBGP2 (P02 to P04) P05: System Clock Output P06: Timer 6 toggle outputs P07: Timer 7 toggle outputs	Yes																														
Port 1 P10 to P17	I/O	<ul style="list-style-type: none"> <li>• 8-bit I/O port</li> <li>• I/O specifiable in 1-bit units</li> <li>• Pull-up resistors can be turned on and off in 1-bit units.</li> <li>• Pin functions</li> </ul> P10: SIO0 data output P11: SIO0 data input/bus I/O P12: SIO0 clock I/O P13: SIO1 data output P14: SIO1 data input/bus I/O P15: SIO1 clock I/O P16: Timer 1 PWML output P17: Timer 1 PWMH output/beeper output	Yes																														
Port 2 P20 to P27	I/O	<ul style="list-style-type: none"> <li>• 8-bit I/O port</li> <li>• I/O specifiable in 1-bit units</li> <li>• Pull-up resistors can be turned on and off in 1-bit units.</li> <li>• Pin functions</li> </ul> P20 to P23: INT4 input / HOLD reset input / timer 1 event input/ timer 0L capture input / timer 0H capture input P24 to P27: INT5 input / HOLD reset input / timer 1 event input/ timer 0L capture input / timer 0H capture input P20: INT6 input/timer 0L capture 1 input P22: SIO4 date I/O/parallel interface $\overline{RD}$ output P23: SIO4 date I/O/parallel interface $\overline{WR}$ output P24: SIO4 clock I/O/INT7 input / timer 0H capture 1 input P25: SIO9 date I/O/parallel interface $\overline{RD9}$ output P26: SIO9 date I/O/parallel interface $\overline{WR9}$ output P27: SIO9 clock I/O Interrupt acknowledge type <table border="1" style="margin-left: 20px; width: 100%; border-collapse: collapse;"> <thead> <tr> <th></th> <th>Rising</th> <th>Falling</th> <th>Rising &amp; Falling</th> <th>H level</th> <th>L level</th> </tr> </thead> <tbody> <tr> <td>INT4</td> <td>enable</td> <td>enable</td> <td>enable</td> <td>disable</td> <td>disable</td> </tr> <tr> <td>INT5</td> <td>enable</td> <td>enable</td> <td>enable</td> <td>disable</td> <td>disable</td> </tr> <tr> <td>INT6</td> <td>enable</td> <td>enable</td> <td>enable</td> <td>disable</td> <td>disable</td> </tr> <tr> <td>INT7</td> <td>enable</td> <td>enable</td> <td>enable</td> <td>disable</td> <td>disable</td> </tr> </tbody> </table>		Rising	Falling	Rising & Falling	H level	L level	INT4	enable	enable	enable	disable	disable	INT5	enable	enable	enable	disable	disable	INT6	enable	enable	enable	disable	disable	INT7	enable	enable	enable	disable	disable	Yes
	Rising	Falling	Rising & Falling	H level	L level																												
INT4	enable	enable	enable	disable	disable																												
INT5	enable	enable	enable	disable	disable																												
INT6	enable	enable	enable	disable	disable																												
INT7	enable	enable	enable	disable	disable																												

Continued on next page.



# LC87F14C8A

Continued from preceding page.

Pin Name	I/O	Description	Option																														
Port 3 P30 to P34	I/O	<ul style="list-style-type: none"> <li>• 5-bit I/O port</li> <li>• I/O specifiable in 1-bit units</li> <li>• Pull-up resistors can be turned on and off in 1-bit units.</li> <li>• Pin functions P30: UART1 transmit P31: UART1 receive P34: USB interface PLL filter pin (see Fig.5)</li> </ul>	Yes																														
Port 7 P70 to P73	I/O	<ul style="list-style-type: none"> <li>• 4-bit I/O port</li> <li>• I/O specifiable in 1-bit units</li> <li>• Pull-up resistors can be turned on and off in 1-bit units.</li> <li>• Pin functions P70: INT0 input/HOLD reset input/timer 0L capture input/watchdog timer output P71: INT1 input/HOLD reset input/timer 0H capture input P72: INT2 input/HOLD reset input/timer 0 event input/ timer 0L capture input / High speed clock counter input P73: INT3 input (with noise filter) /timer 0 event input/timer 0H capture input AD converter input port: AN8(P70), AN9(P71)</li> </ul> <p>Interrupt acknowledge type</p> <table border="1" style="margin-left: 20px;"> <thead> <tr> <th></th> <th>Rising</th> <th>Falling</th> <th>Rising &amp; Falling</th> <th>H level</th> <th>L level</th> </tr> </thead> <tbody> <tr> <td>INT0</td> <td>enable</td> <td>enable</td> <td>disable</td> <td>enable</td> <td>enable</td> </tr> <tr> <td>INT1</td> <td>enable</td> <td>enable</td> <td>disable</td> <td>enable</td> <td>enable</td> </tr> <tr> <td>INT2</td> <td>enable</td> <td>enable</td> <td>enable</td> <td>disable</td> <td>disable</td> </tr> <tr> <td>INT3</td> <td>enable</td> <td>enable</td> <td>enable</td> <td>disable</td> <td>disable</td> </tr> </tbody> </table>		Rising	Falling	Rising & Falling	H level	L level	INT0	enable	enable	disable	enable	enable	INT1	enable	enable	disable	enable	enable	INT2	enable	enable	enable	disable	disable	INT3	enable	enable	enable	disable	disable	No
	Rising	Falling	Rising & Falling	H level	L level																												
INT0	enable	enable	disable	enable	enable																												
INT1	enable	enable	disable	enable	enable																												
INT2	enable	enable	enable	disable	disable																												
INT3	enable	enable	enable	disable	disable																												
PWM0 PWM1	I/O	<ul style="list-style-type: none"> <li>• PWM0 and PWM1 output port</li> <li>• General-purpose input port</li> </ul>	No																														
UHD-	I/O	<ul style="list-style-type: none"> <li>• USB data I/O pin UHD-</li> <li>• General-purpose I/O port</li> </ul>	No																														
UHD+	I/O	<ul style="list-style-type: none"> <li>• USB data I/O pin UHD+</li> <li>• General-purpose I/O port</li> </ul>	No																														
$\overline{\text{RES}}$	Input	Reset pin	No																														
XT1	Input	<ul style="list-style-type: none"> <li>• 32.768 kHz crystal oscillator input pin</li> <li>• Pin functions General-purpose input port AD converter input port: AN10 Must be connected to <math>V_{DD1}</math> if not to be used.</li> </ul>	No																														
XT2	I/O	<ul style="list-style-type: none"> <li>• 32.768 kHz crystal oscillator output pin</li> <li>• Pin functions General-purpose I/O port AD converter input port: AN11 Must be set for oscillation and kept open if not to be used.</li> </ul>	No																														
CF1	Input	Ceramic resonator input pin	No																														
CF2	Output	Ceramic resonator output pin	No																														

# LC87F14C8A

## Port Output Types

The table below lists the types of port outputs and the presence/absence of a pull-up resistor.

Data can be read into any input port even if it is in the output mode.

Port Name	Option selected in units of	Option type	Output type	Pull-up resistor
P00 to P07	1 bit	1	CMOS	Programmable (Note 1)
		2	Nch-open drain	No
P10 to P17 P20 to P27 P30 to P34	1 bit	1	CMOS	Programmable
		2	Nch-open drain	Programmable
P70	-	No	Nch-open drain	Programmable
P71 to P73	-	No	CMOS	Programmable
PWM0, PWM1	-	No	CMOS	No
UHD+, UHD-	-	No	CMOS	No
XT1	-	No	Input only	No
XT2	-	No	32.768kHz crystal oscillator output	No

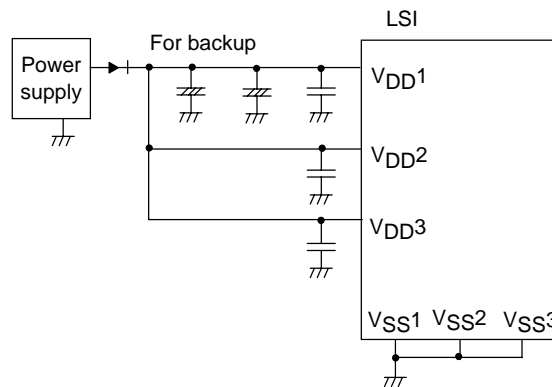
Note 1: Programmable pull-up resistors for port 0 are controlled in 4 bit units (P00 to 03, P04 to 07).

## Power Pin Treatment

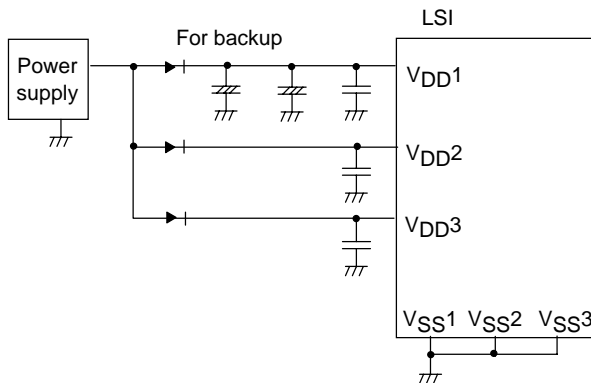
Connect the IC as shown below to minimize the noise input to the V<sub>DD1</sub> pin.

Be sure to electrically short the V<sub>SS1</sub>, V<sub>SS2</sub>, and V<sub>SS3</sub> pins.

Example 1: When the microcontroller is in the backup state in the HOLD mode, the power to sustain the high level of output ports is supplied by their backup capacitors.



Example 2: The high level output at ports is not sustained and unstable in the HOLD backup mode.



**USB Reference Power Option**

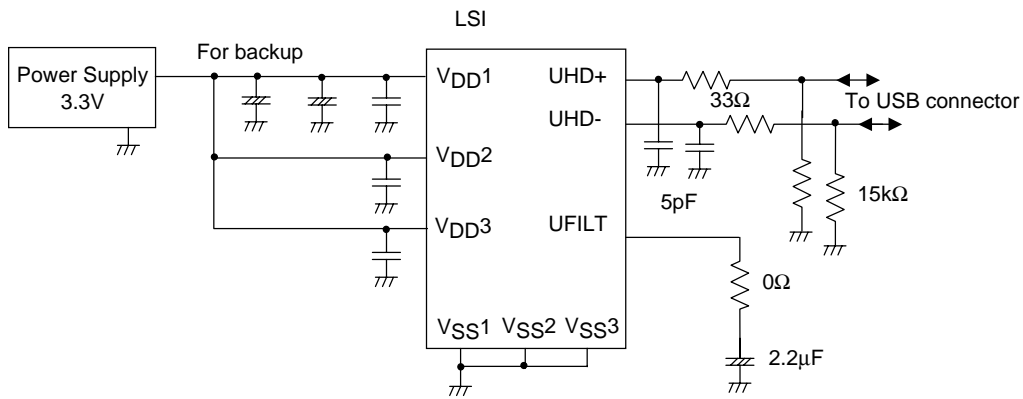
When a voltage 4.5 to 5.5V is supplied to V<sub>DD1</sub> and the internal USB reference voltage circuit is activated, the reference voltage for USB port output is generated. The active/inactive state of the reference voltage circuit can be switched by option selection. The procedure for marking the option selection is described below.

		(1)	(2)	(3)	(4)
Option selection	USB Regulator	USE	USE	USE	NONUSE
	USB Regulator in HOLD mode	USE	NONUSE	NONUSE	NONUSE
	USB Regulator in HALT mode	USE	NONUSE	USE	NONUSE
Reference voltage circuit state	Normal state	active	active	active	inactive
	HOLD mode	active	inactive	inactive	inactive
	HALT mode	active	inactive	active	inactive

- When the USB reference voltage circuit is made inactive, the level of the reference voltage for USB port output is equal to V<sub>DD1</sub>.
- Selection (2) or (3) can be used to set the reference voltage circuit inactive in HOLD or HALT mode.
- When the reference voltage circuit is activated, the current drain increases by approximately 100μA compared with when the reference voltage circuit is inactive.

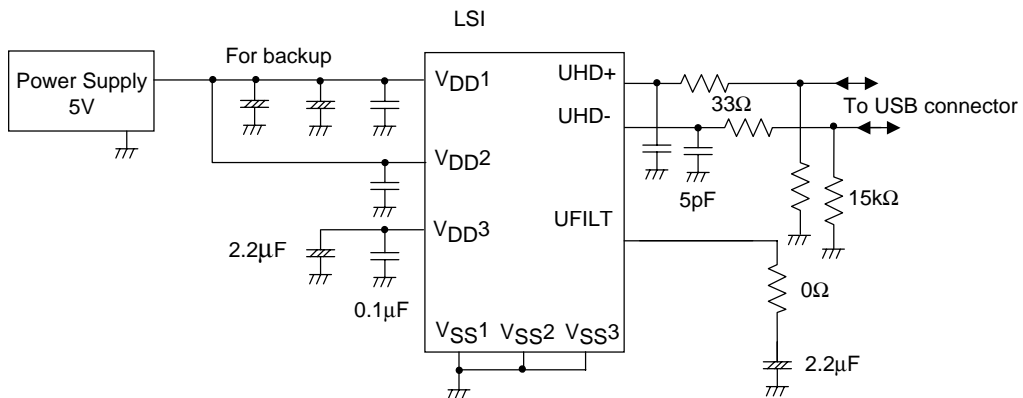
Example 1: V<sub>DD1</sub>=V<sub>DD2</sub>=3.3V

- Inactivating the reference voltage circuit (selection (4)).
- Connecting V<sub>DD3</sub> to V<sub>DD1</sub> and V<sub>DD2</sub>.



Example 2: V<sub>DD1</sub>=V<sub>DD2</sub>=5.0V

- Activating the reference voltage circuit (selection (1)).
- Isolating V<sub>DD3</sub> from V<sub>DD1</sub> and V<sub>DD2</sub>, and connecting capacitor between V<sub>DD3</sub> and V<sub>SS</sub>.



# LC87F14C8A

## Absolute Maximum Ratings at Ta = 25°C, VSS1 = VSS2 = VSS3 = 0V

Parameter	Symbol	Pin/Remarks	Conditions	Specification				unit
				V <sub>DD</sub> [V]	min	typ	max	
Maximum supply voltage	V <sub>DD</sub> max	V <sub>DD</sub> 1, V <sub>DD</sub> 2, V <sub>DD</sub> 3	V <sub>DD</sub> 1= V <sub>DD</sub> 2= V <sub>DD</sub> 3		-0.3		+6.5	V
Input voltage	V <sub>I</sub> (1)	XT1, CF1			-0.3		V <sub>DD</sub> +0.3	
Input/output voltage	V <sub>IO</sub> (1)	Ports 0, 1, 2, 3, 7 PWM0, PWM1 XT2			-0.3		V <sub>DD</sub> +0.3	
High level output current	Peak output current	IOPH(1)	Ports 0, 1, 2	• When CMOS output type is selected • Per 1 applicable pin		-10		mA
		IOPH(2)	PWM0, PWM1	Per 1 applicable pin		-20		
		IOPH(3)	Ports 3 P71 to P73	• When CMOS output type is selected • Per 1 applicable pin		-5		
	Average output current (Note 2)	IOMH(1)	Ports 0, 1, 2	• When CMOS output type is selected • Per 1 applicable pin		-7.5		
		IOMH(2)	PWM0, PWM1	Per 1 applicable pin		-15		
		IOMH(3)	Ports 3 P71 to P73	• When CMOS output type is selected • Per 1 applicable pin		-3		
	Total output current	ΣIOAH(1)	Ports 0, 2	Total of all applicable pins		-25		
		ΣIOAH(2)	Ports 1 PWM0, PWM1	Total of all applicable pins		-25		
		ΣIOAH(3)	Ports 0, 1, 2 PWM0, PWM1	Total of all applicable pins		-45		
		ΣIOAH(4)	Ports 3 P71 to P73	Total of all applicable pins		-10		
ΣIOAH(5)		UHD+, UHD-	Total of all applicable pins		-25			
Low level output current	Peak output current	IOPL(1)	P02 to P07 Ports 1, 2 PWM0, PWM1	Per 1 applicable pin			20	
		IOPL(2)	P00, P01	Per 1 applicable pin			30	
		IOPL(3)	Ports 3, 7 XT2	Per 1 applicable pin			10	
	Average output current (Note 2)	IOML(1)	P02 to P07 Ports 1, 2 PWM0, PWM1	Per 1 applicable pin			15	
		IOML(2)	P00, P01	Per 1 applicable pin			20	
		IOML(3)	Ports 3, 7 XT2	Per 1 applicable pin			7.5	
	Total output current	ΣIOAL(1)	Ports 0, 2	Total of all applicable pins			45	
		ΣIOAL(2)	Ports 1 PWM0, PWM1	Total of all applicable pins			45	
		ΣIOAL(3)	Ports 0, 1, 2 PWM0, PWM1	Total of all applicable pins			80	
		ΣIOAL(4)	Ports 3, 7 XT2	Total of all applicable pins			15	
ΣIOAL(5)		UHD+, UHD-	Total of all applicable pins			25		
Allowable power Dissipation	Pd max	QIP48E(14×14)	Ta=-20 to +70°C				330	mW
		TQFP48J(7×7)					190	
Operating ambient Temperature	T <sub>opr</sub>				-20		+70	°C
Storage ambient temperature	T <sub>stg</sub>				-55		+125	

Note 2: The mean output current is a mean value measured over 100ms.

# LC87F14C8A

## Allowable Operating Conditions at Ta = -20°C to +70°C, V<sub>SS1</sub> = V<sub>SS2</sub> = V<sub>SS3</sub> = 0V

Parameter	Symbol	Pin/Remarks	Conditions	Specification				unit
				V <sub>DD</sub> [V]	min	typ	max	
Operating supply voltage (Note 3)	V <sub>DD</sub> (1)	V <sub>DD1</sub> =V <sub>DD2</sub> =V <sub>DD3</sub>	0.245μs ≤ t <sub>CYC</sub> ≤ 200μs		3.0		5.5	V
			0.490μs ≤ t <sub>CYC</sub> ≤ 200μs Except for onboard programming		2.7		5.5	
Memory sustaining supply voltage	V <sub>H</sub> D	V <sub>DD1</sub> =V <sub>DD2</sub> =V <sub>DD3</sub>	RAM and register contents sustained in HOLD mode.		2.0		5.5	
High level input voltage	V <sub>I</sub> H(1)	Port 0, 1, 2, 3 P71 to P73 P70 port input/ interrupt side PWM0, PWM1		2.7 to 5.5	0.3V <sub>DD</sub> +0.7		V <sub>DD</sub>	
	V <sub>I</sub> H(2)	Port 70 watchdog timer side		2.7 to 5.5	0.9V <sub>DD</sub>		V <sub>DD</sub>	
	V <sub>I</sub> H(3)	XT1, XT2, CF1, RES		2.7 to 5.5	0.75V <sub>DD</sub>		V <sub>DD</sub>	
Low level input voltage	V <sub>I</sub> L(1)	Port 1, 2, 3 P71 to P73		4.0 to 5.5	V <sub>SS</sub>		0.1V <sub>DD</sub> +0.4	
	V <sub>I</sub> L(2)	P70 port input/ interrupt side		2.7 to 4.0	V <sub>SS</sub>		0.2V <sub>DD</sub>	
	V <sub>I</sub> L(3)	Port 0 PWM0, PWM1		4.0 to 5.5	V <sub>SS</sub>		0.15V <sub>DD</sub> +0.4	
	V <sub>I</sub> L(4)			2.7 to 4.0	V <sub>SS</sub>		0.2V <sub>DD</sub>	
	V <sub>I</sub> L(5)	Port 70 watchdog timer side		2.7 to 5.5	V <sub>SS</sub>		0.8V <sub>DD</sub> -1.0	
	V <sub>I</sub> L(6)	XT1, XT2, CF1, RES		2.7 to 5.5	V <sub>SS</sub>		0.25V <sub>DD</sub>	
Instruction cycle time (Note 4)	t <sub>CYC</sub>			3.0 to 5.5	0.245		200	μs
			Except for onboard programming	2.7 to 5.5	0.490		200	
External system clock frequency	F <sub>EXCF</sub> (1)	CF1	<ul style="list-style-type: none"> <li>• CF2 pin open</li> <li>• System clock frequency division ratio = 1/1</li> <li>• External system clock duty = 50±5%</li> </ul>	3.0 to 5.5	0.1		12	MHz
			<ul style="list-style-type: none"> <li>• CF2 pin open</li> <li>• System clock frequency division ratio = 1/1</li> <li>• External system clock duty = 50±5%</li> </ul>	2.7 to 5.5	0.1		6	
Oscillation frequency range (Note 5)	F <sub>m</sub> CF(1)	CF1, CF2	12MHz ceramic oscillation See Fig. 1.	3.0 to 5.5		12		MHz
	F <sub>m</sub> CF(2)	CF1, CF2	6MHz ceramic oscillation See Fig. 1.	2.7 to 5.5		6		
	F <sub>m</sub> RC		Internal RC oscillation	2.7 to 5.5	0.3	1.0	2.0	
	F <sub>sX</sub> 'tal	XT1, XT2	32.768kHz crystal oscillation See Fig. 2.	2.7 to 5.5		32.768		kHz

Note 3: V<sub>DD</sub> must be held greater than or equal to 3.0V in the flash ROM onboard programming mode.

Note 4: Relationship between t<sub>CYC</sub> and oscillation frequency is 3/F<sub>m</sub>CF at a division ratio of 1/1 and 6/F<sub>m</sub>CF at a division ratio of 1/2.

Note 5: See Tables 1 and 2 for the oscillation constants.

# LC87F14C8A

## Electrical Characteristics at Ta = -20°C to +70°C, VSS1 = VSS2 = VSS3 = 0V

Parameter	Symbol	Pin/Remarks	Conditions	Specification				
				V <sub>DD</sub> [V]	min	typ	max	unit
High level input current	I <sub>IH</sub> (1)	Ports 0, 1, 2, 3 Port 7 $\overline{\text{RES}}$ PWM0, PWM1 UHD+, UHD-	Output disabled Pull-up resistor off V <sub>IN</sub> =V <sub>DD</sub> (Including output Tr's off leakage current)	2.7 to 5.5			1	μA
	I <sub>IH</sub> (2)	XT1, XT2	For input port specification V <sub>IN</sub> =V <sub>DD</sub>	2.7 to 5.5			1	
	I <sub>IH</sub> (3)	CF1	V <sub>IN</sub> =V <sub>DD</sub>	2.7 to 5.5			15	
Low level input current	I <sub>IL</sub> (1)	Ports 0, 1, 2, 3 Port 7 $\overline{\text{RES}}$ PWM0, PWM1 UHD+, UHD-	Output disabled Pull-up resistor off V <sub>IN</sub> =V <sub>SS</sub> (Including output Tr's off leakage current)	2.7 to 5.5	-1			μA
	I <sub>IL</sub> (2)	XT1, XT2	For input port specification V <sub>IN</sub> =V <sub>SS</sub>	2.7 to 5.5	-1			
	I <sub>IL</sub> (3)	CF1	V <sub>IN</sub> =V <sub>SS</sub>	2.7 to 5.5	-15			
High level output voltage	V <sub>OH</sub> (1)	Ports 0, 1, 2, 3	I <sub>OH</sub> =-1mA	4.5 to 5.5	V <sub>DD</sub> -1			V
	V <sub>OH</sub> (2)		I <sub>OH</sub> =-0.4mA	3.0 to 5.5	V <sub>DD</sub> -0.4			
	V <sub>OH</sub> (3)		I <sub>OH</sub> =-0.2mA	2.7 to 5.5	V <sub>DD</sub> -0.4			
	V <sub>OH</sub> (4)	P71 to P73	I <sub>OH</sub> =-1.6mA	3.0 to 5.5	V <sub>DD</sub> -0.4			
	V <sub>OH</sub> (5)		I <sub>OH</sub> =-1mA	2.7 to 5.5	V <sub>DD</sub> -0.4			
	V <sub>OH</sub> (6)	PWM0, PWM1 P05 (CK0 when using system clock output function)	I <sub>OH</sub> =-10mA	4.5 to 5.5	V <sub>DD</sub> -1.5			
	V <sub>OH</sub> (7)		I <sub>OH</sub> =-1.6mA	3.0 to 5.5	V <sub>DD</sub> -0.4			
	V <sub>OH</sub> (8)		I <sub>OH</sub> =-1mA	2.7 to 5.5	V <sub>DD</sub> -0.4			
Low level output voltage	V <sub>OL</sub> (1)	P00, P01	I <sub>OL</sub> =30mA	4.5 to 5.5			1.5	V
	V <sub>OL</sub> (2)		I <sub>OL</sub> =5mA	3.0 to 5.5			0.4	
	V <sub>OL</sub> (3)		I <sub>OL</sub> =2.5mA	2.7 to 5.5			0.4	
	V <sub>OL</sub> (4)	Ports 0, 1, 2 PWM0, PWM1 XT2	I <sub>OL</sub> =10mA	4.5 to 5.5			1.5	
	V <sub>OL</sub> (5)		I <sub>OL</sub> =1.6mA	3.0 to 5.5			0.4	
	V <sub>OL</sub> (6)		I <sub>OL</sub> =1mA	2.7 to 5.5			0.4	
	V <sub>OL</sub> (7)	Ports 3	I <sub>OL</sub> =1.6mA	3.0 to 5.5			0.4	
	V <sub>OL</sub> (8)	P70	I <sub>OL</sub> =1mA	2.7 to 5.5			0.4	
	V <sub>OL</sub> (9)	P71 to P73	I <sub>OL</sub> =5mA	3.0 to 5.5			0.4	
	V <sub>OL</sub> (10)		I <sub>OL</sub> =2.5mA	2.7 to 5.5			0.4	
Pull-up resistance	R <sub>pu</sub> (1)	Ports 0, 1, 2, 3	V <sub>OH</sub> =0.9V <sub>DD</sub>	4.5 to 5.5	15	35	80	kΩ
	R <sub>pu</sub> (2)	Port 70		2.7 to 5.5	18	50	150	
Hysteresis voltage	VHYS	$\overline{\text{RES}}$ Port 1, 2, 3, 7		2.7 to 5.5		0.1V <sub>DD</sub>		V
Pin capacitance	CP	All pins	For pins other than that under test: V <sub>IN</sub> =V <sub>SS</sub> f=1MHz Ta=25°C	2.7 to 5.5		10		pF

# LC87F14C8A

**Serial I/O Characteristics** at Ta = -20°C to +70°C, V<sub>SS1</sub> = V<sub>SS2</sub> = V<sub>SS3</sub> = 0V

## 1. SIO0 Serial I/O Characteristics (Note 4-1-1)

Parameter	Symbol	Pin/ Remarks	Conditions	V <sub>DD</sub> [V]	Specification								
					min	typ	max	unit					
Serial clock	Input clock	Frequency	tSCK(1)	SCK0(P12)	2.7 to 5.5				tCYC				
		Low level pulse width	tSCKL(1)							See Fig. 8.	2		
		High level pulse width	tSCKH(1)								1		
			tSCKHA(1a)	<ul style="list-style-type: none"> <li>Continuous data transmission/reception mode</li> <li>USB, SIO4 nor SIO9 are not in use simultaneous.</li> <li>See Fig. 8.</li> <li>(Note 4-1-2)</li> </ul>							1		
			tSCKHA(1b)							<ul style="list-style-type: none"> <li>Continuous data transmission/reception mode</li> <li>USB is in use simultaneous.</li> <li>SIO4 nor SIO9 are not in use simultaneous.</li> <li>See Fig. 8.</li> <li>(Note 4-1-2)</li> </ul>	4		
			tSCKHA(1c)								<ul style="list-style-type: none"> <li>Continuous data transmission/reception mode</li> <li>USB, SIO4 and SIO9 are in use simultaneous.</li> <li>See Fig. 8.</li> <li>(Note 4-1-2)</li> </ul>	7	
	Frequency	tSCK(2)	SCK0(P12)	2.7 to 5.5				tSCK					
	Low level pulse width	tSCKL(2)							<ul style="list-style-type: none"> <li>CMOS output selected</li> <li>See Fig. 8.</li> </ul>	4/3			
	High level pulse width	tSCKH(2)								<ul style="list-style-type: none"> <li>Continuous data transmission/reception mode</li> <li>USB, SIO4 nor SIO9 are not in use simultaneous.</li> <li>CMOS output selected</li> <li>See Fig. 8.</li> </ul>	1/2		
	tSCKHA(2a)	<ul style="list-style-type: none"> <li>Continuous data transmission/reception mode</li> <li>USB, SIO4 nor SIO9 are not in use simultaneous.</li> <li>CMOS output selected</li> <li>See Fig. 8.</li> </ul>	1/2										
	tSCKHA(2b)		<ul style="list-style-type: none"> <li>Continuous data transmission/reception mode</li> <li>USB is in use simultaneous.</li> <li>SIO4 nor SIO9 are not in use simultaneous.</li> <li>CMOS output selected</li> <li>See Fig. 8.</li> </ul>						tSCKH(2) +2tCYC		tSCKH(2) +(10/3) tCYC		
	tSCKHA(2c)	<ul style="list-style-type: none"> <li>Continuous data transmission/reception mode</li> <li>USB, SIO4 and SIO9 are in use simultaneous.</li> <li>CMOS output selected</li> <li>See Fig. 8.</li> </ul>							tSCKH(2) +2tCYC		tSCKH(2) +(19/3) tCYC		
Output clock													

Note 4-1-1: These specifications are theoretical values. Add margin depending on its use.

Note 4-1-2: To use serial-clock-input in continuous trans/rec mode, a time from SIORUN being set when serial clock is “H” to the first negative edge of the serial clock must be longer than tSCKHA.

Continued on next page.

# LC87F14C8A

Continued from preceding page.

Parameter		Symbol	Pin/ Remarks	Conditions	Specification				
					V <sub>DD</sub> [V]	min	typ	max	unit
Serial input	Data setup time	tsDI(1)	SB0(P11), SI0(P11)	<ul style="list-style-type: none"> <li>Must be specified with respect to rising edge of SIOCLK.</li> <li>See Fig. 8.</li> </ul>	2.7 to 5.5	0.03			μs
	Data hold time	thDI(1)							
Serial output	Output delay time	tdD0(1)	SO0(P10), SB0(P11)	<ul style="list-style-type: none"> <li>Continuous data transmission/reception mode</li> <li>(Note 4-1-3)</li> </ul>	2.7 to 5.5			(1/3)t <sub>CYC</sub> +0.05	μs
		tdD0(2)							
	Output clock	tdD0(3)		(Note 4-1-3)	2.7 to 5.5			(1/3)t <sub>CYC</sub> +0.05	

Note 4-1-3: Must be specified with respect to falling edge of SIOCLK.

Must be specified as the time to the beginning of output state change in open drain output mode. See Fig. 8.

## 2. SIO1 Serial I/O Characteristics (Note 4-2-1)

Parameter		Symbol	Pin/ Remarks	Conditions	Specification					
					V <sub>DD</sub> [V]	min	typ	max	unit	
Serial clock	Input clock	Frequency	tSCK(3)	SCK1(P15)	See Fig. 8.	2.7 to 5.5			t <sub>CYC</sub>	
		Low level pulse width	tSCKL(3)							2
		High level pulse width	tSCKH(3)							1
	Output clock	Frequency	tSCK(4)	SCK1(P15)	<ul style="list-style-type: none"> <li>CMOS output selected</li> <li>See Fig. 8.</li> </ul>	2.7 to 5.5			t <sub>SCK</sub>	
		Low level pulse width	tSCKL(4)							1/2
		High level pulse width	tSCKH(4)							1/2
Serial input	Data setup time	tsDI(2)	SB1(P14), SI1(P14)	<ul style="list-style-type: none"> <li>Must be specified with respect to rising edge of SIOCLK.</li> <li>See Fig. 8.</li> </ul>	2.7 to 5.5	0.03			μs	
	Data hold time	thDI(2)								2.7 to 5.5
Serial output	Output delay time	tdD0(4)	SO1(P13), SB1(P14)	<ul style="list-style-type: none"> <li>Must be specified with respect to falling edge of SIOCLK.</li> <li>Must be specified as the time to the beginning of output state change in open drain output mode.</li> <li>See Fig. 8.</li> </ul>	2.7 to 5.5			(1/3)t <sub>CYC</sub> +0.05	μs	

Note 4-2-1: These specifications are theoretical values. Add margin depending on its use.



# LC87F14C8A

## 3. SIO4 Serial I/O Characteristics (Note 4-3-1)

	Parameter	Symbol	Pin/ Remarks	Conditions	V <sub>DD</sub> [V]	Specification				
						min	typ	max	unit	
Serial clock	Input clock	Frequency	tSCK(5)	SCK4(P24)	See Fig. 8.	2.7 to 5.5	2			tCYC
		Low level pulse width	tSCKL(5)				1			
		High level pulse width	tSCKH(5)				1			
			tSCKHA(5a)				4			
		tSCKHA(5b)	7							
		tSCKHA(5c)					12			
	Output clock	Frequency	tSCK(6)	SCK4(P24)	<ul style="list-style-type: none"> <li>• CMOS output selected</li> <li>• See Fig. 8.</li> </ul>	2.7 to 5.5				4/3
		Low level pulse width	tSCKL(6)				1/2			
		High level pulse width	tSCKH(6)				1/2			tCYC
		tSCKHA(6a)	tSCKHA(6b)				tSCKH(6) +(5/3) tCYC	tSCKH(6) +(10/3) tCYC		
		tSCKHA(6c)	tSCKH(6) +(5/3) tCYC				tSCKH(6) +(34/3) tCYC			
Serial input	Data setup time	tsDI(3)	SO4(P22), SI4(P23)	<ul style="list-style-type: none"> <li>• Must be specified with respect to rising edge of SIOCLK.</li> <li>• See Fig. 8.</li> </ul>	2.7 to 5.5	0.03				
	Data hold time	thDI(3)				2.7 to 5.5	0.03			
Serial output	Output delay time	tdD0(5)	SO4(P22), SI4(P23)	<ul style="list-style-type: none"> <li>• Must be specified with respect to rising edge of SIOCLK.</li> <li>• Must be specified as the time to the beginning of output state change in open drain output mode.</li> <li>• See Fig. 8.</li> </ul>	2.7 to 5.5			(1/3)tCYC +0.05	μs	

Note 4-3-1: These specifications are theoretical values. Add margin depending on its use.

Note 4-3-2: To use serial-clock-input in continuous trans/rec mode, a time from SI4RUN being set when serial clock is "H" to the first negative edge of the serial clock must be longer than tSCKHA.

# LC87F14C8A

## 4. SIO9 Serial I/O Characteristics (Note 4-4-1)

Parameter	Symbol	Pin/ Remarks	Conditions	V <sub>DD</sub> [V]	Specification					
					min	typ	max	unit		
Serial clock	Input clock	Frequency	tSCK(7)	SCK9(P27)	2.7 to 5.5	See Fig. 8.	2			tCYC
		Low level pulse width	tSCKL(7)				1			
		High level pulse width	tSCKH(7)				1			
			tSCKHA(7a)	• USB, SIO4 nor continuous data transmission/reception mode of SIO0 are not in use simultaneous. • See Fig. 8. • (Note 4-4-2)			4			
							tSCKHA(7b)	• USB is in use simultaneous. • SIO4 nor continuous data transmission/reception mode of SIO0 are not in use simultaneous. • See Fig. 8. • (Note 4-4-2)	7	
		tSCKHA(7c)	• USB, SIO4 and continuous data transmission/reception mode of SIO0 are in use simultaneous. • See Fig. 8. • (Note 4-4-2)	13						
	Output clock	Frequency	tSCK(8)	SCK9(P27)	2.7 to 5.5	• CMOS output selected • See Fig. 8.	4/3			tSCK
		Low level pulse width	tSCKL(8)				1/2			
		High level pulse width	tSCKH(8)				1/2			
			tSCKHA(8a)	• USB, SIO4 nor continuous data transmission/reception mode of SIO0 are not in use simultaneous. • CMOS output selected • See Fig. 8.			tSCKH(8) +(5/3) tCYC	tSCKH(8) +(10/3) tCYC		
			tSCKHA(8b)	• USB is in use simultaneous. • SIO4 nor continuous data transmission/reception mode of SIO0 are not in use simultaneous. • CMOS output selected • See Fig. 8.			tSCKH(8) +(5/3) tCYC	tSCKH(8) +(19/3) tCYC		
		tSCKHA(8c)	• USB, SIO4 and continuous data transmission/reception mode of SIO0 are in use simultaneous. • CMOS output selected • See Fig. 8.	tSCKH(8) +(5/3) tCYC			tSCKH(8) +(37/3) tCYC			
Serial input	Data setup time	tsDI(4)	SO9(P25), SI9(P26)	2.7 to 5.5	• Must be specified with respect to rising edge of SIOCLK. • See Fig. 8.	0.03			μs	
	Data hold time	thDI(4)					2.7 to 5.5	0.03		
Serial output	Output delay time	tdD0(6)	SO9(P25), SI9(P26)	2.7 to 5.5	• Must be specified with respect to rising edge of SIOCLK. • Must be specified as the time to the beginning of output state change in open drain output mode. • See Fig. 8.			(1/3)tCYC +0.05	μs	

Note 4-4-1: These specifications are theoretical values. Add margin depending on its use.

Note 4-4-2: To use serial-clock-input in continuous trans/rec mode, a time from SI9RUN being set when serial clock is "H" to the first negative edge of the serial clock must be longer than tSCKHA.

## LC87F14C8A

### Pulse Input Conditions at Ta = -20°C to +70°C, VSS1 = VSS2 = VSS3 = 0V

Parameter	Symbol	Pin/Remarks	Conditions	Specification				
				VDD[V]	min	typ	max	unit
High/low level pulse width	tPIH(1) tPIL(1)	INT0(P70), INT1(P71), INT2(P72), INT4(P20 to P23), INT5(P24 to P27), INT6(P20), INT7(P24)	<ul style="list-style-type: none"> <li>Interrupt source flag can be set.</li> <li>Event inputs for timer 0 or 1 are enabled.</li> </ul>	2.7 to 5.5	1			tCYC
	tPIH(2) tPIL(2)	INT3(P73) when noise filter time constant is 1/1	<ul style="list-style-type: none"> <li>Interrupt source flag can be set.</li> <li>Event inputs for timer 0 are enabled.</li> </ul>	2.7 to 5.5	2			
	tPIH(3) tPIL(3)	INT3(P73) when noise filter time constant is 1/32	<ul style="list-style-type: none"> <li>Interrupt source flag can be set.</li> <li>Event inputs for timer 0 are enabled.</li> </ul>	2.7 to 5.5	64			
	tPIH(4) tPIL(4)	INT3(P73) when noise filter time constant is 1/128	<ul style="list-style-type: none"> <li>Interrupt source flag can be set.</li> <li>Event inputs for timer 0 are enabled.</li> </ul>	2.7 to 5.5	256			
	tPIL(5)	RES	Resetting is enabled.	2.7 to 5.5	200			μs

### AD Converter Characteristics at Ta = -20°C to +70°C, VSS1 = VSS2 = VSS3 = 0V

Parameter	Symbol	Pin/Remarks	Conditions	Specification				
				VDD[V]	min	typ	max	unit
Resolution	N	AN0(P00) to		3.0 to 5.5		8		bit
Absolute accuracy	ET	AN7(P07), AN8(P70), AN9(P71), AN10(XT1), AN11(XT2)	(Note 7)	3.0 to 5.5			±1.5	LSB
Conversion time	TCAD		AD conversion time = 32×tCYC (when ADCR2 = 0) (Note 8)	4.5 to 5.5	15.68 (tCYC= 0.49μs)		97.92 (tCYC= 3.06μs)	μs
				3.0 to 5.5	23.52 (tCYC= 0.735μs)		97.92 (tCYC= 3.06μs)	
				4.5 to 5.5	18.82 (tCYC= 0.294μs)		97.92 (tCYC= 1.53μs)	
				3.0 to 5.5	47.04 (tCYC= 0.735μs)		97.92 (tCYC= 1.53μs)	
Analog input voltage range	VAIN			3.0 to 5.5	VSS		VDD	V
Analog port input current	IAINH		VAIN = VDD	3.0 to 5.5			1	μA
	IAINL		VAIN = VSS	3.0 to 5.5	-1			

Note 7: The quantization error ( $\pm 1/2\text{LSB}$ ) is excluded from the absolute accuracy value.

Note 8: The conversion time refers to the interval from the time the instruction for starting the converter is issued till the time the complete digital value corresponding to the analog input value is loaded in the required register.

# LC87F14C8A

## Consumption Current Characteristics at Ta = -20°C to +70°C, VSS1 = VSS2 = VSS3 = 0V

Parameter	Symbol	Pin/ Remarks	Conditions	Specification				
				VDD[V]	min	typ	max	unit
Normal mode consumption current (Note 9)	IDDOP(1)	VDD1 = VDD2 = VDD3	<ul style="list-style-type: none"> <li>• FmCF=12MHz ceramic oscillation mode</li> <li>• FsX'tal=32.768kHz crystal oscillation mode</li> <li>• System clock set to 12MHz side</li> </ul>	4.5 to 5.5		9.3	23	mA
	IDDOP(2)		<ul style="list-style-type: none"> <li>• Internal PLL oscillation stopped</li> <li>• Internal RC oscillation stopped</li> <li>• 1/1 frequency division ration</li> </ul>	3.0 to 3.6		5.3	13	
	IDDOP(3)		<ul style="list-style-type: none"> <li>• FmCF=12MHz ceramic oscillation mode</li> <li>• FsX'tal=32.768kHz crystal oscillation mode</li> <li>• System clock set to 12MHz side</li> </ul>	4.5 to 5.5		12	28	
	IDDOP(4)		<ul style="list-style-type: none"> <li>• Internal PLL oscillation mode</li> <li>• Internal RC oscillation stopped</li> <li>• 1/1 frequency division ration</li> </ul>	3.0 to 3.6		6.4	16	
	IDDOP(5)		<ul style="list-style-type: none"> <li>• FmCF=12MHz ceramic oscillation mode</li> <li>• FsX'tal=32.768kHz crystal oscillation mode</li> </ul>	4.5 to 5.5		6.1	15	
	IDDOP(6)		<ul style="list-style-type: none"> <li>• System clock set to 6MHz side</li> </ul>	3.0 to 3.6		3.5	8.2	
	IDDOP(7)		<ul style="list-style-type: none"> <li>• Internal RC oscillation stopped</li> <li>• 1/2 frequency division ration</li> </ul>	2.7 to 3.0		2.9	6.4	
	IDDOP(8)		<ul style="list-style-type: none"> <li>• FmCF=0MHz (oscillation stopped)</li> </ul>	4.5 to 5.5		0.68	3.3	
	IDDOP(9)		<ul style="list-style-type: none"> <li>• FsX'tal=32.768kHz crystal oscillation mode</li> </ul>	3.0 to 3.6		0.36	1.6	
	IDDOP(10)		<ul style="list-style-type: none"> <li>• System clock set to internal RC oscillation</li> <li>• 1/2 frequency division ration</li> </ul>	2.7 to 3.0		0.30	1.23	
	IDDOP(11)		<ul style="list-style-type: none"> <li>• FmCF=0MHz (oscillation stopped)</li> <li>• FsX'tal=32.768kHz crystal oscillation mode</li> </ul>	4.5 to 5.5		42	160	
	IDDOP(12)		<ul style="list-style-type: none"> <li>• System clock set to 32.768kHz side</li> </ul>	3.0 to 3.6		17	64	
	IDDOP(13)		<ul style="list-style-type: none"> <li>• Internal RC oscillation stopped</li> <li>• 1/2 frequency division ration</li> </ul>	2.7 to 3.0		13	46	
HALT mode consumption current (Note 9)	IDDHALT(1)		<ul style="list-style-type: none"> <li>• HALT mode</li> <li>• FmCF=12MHz ceramic oscillation mode</li> <li>• FsX'tal=32.768kHz crystal oscillation mode</li> </ul>	4.5 to 5.5		4.6	11	mA
	IDDHALT(2)		<ul style="list-style-type: none"> <li>• System clock set to 12MHz side</li> <li>• Internal PLL oscillation stopped</li> <li>• Internal RC oscillation stopped</li> <li>• 1/1 frequency division ration</li> </ul>	3.0 to 3.6		2.5	6.2	
	IDDHALT(3)		<ul style="list-style-type: none"> <li>• HALT mode</li> <li>• FmCF=12MHz ceramic oscillation mode</li> <li>• FsX'tal=32.768kHz crystal oscillation mode</li> </ul>	4.5 to 5.5		6.4	16	
	IDDHALT(4)		<ul style="list-style-type: none"> <li>• Internal PLL oscillation mode</li> <li>• Internal RC oscillation stopped</li> <li>• 1/1 frequency division ration</li> </ul>	3.0 to 3.6		3.5	8.5	
	IDDHALT(5)		<ul style="list-style-type: none"> <li>• HALT mode</li> <li>• FmCF=12MHz ceramic oscillation mode</li> </ul>	4.5 to 5.5		2.8	6.8	
	IDDHALT(6)		<ul style="list-style-type: none"> <li>• FsX'tal=32.768kHz crystal oscillation mode</li> <li>• System clock set to 6MHz side</li> </ul>	3.0 to 3.6		1.5	3.7	
	IDDHALT(7)		<ul style="list-style-type: none"> <li>• Internal RC oscillation stopped</li> <li>• 1/2 frequency division ration</li> </ul>	2.7 to 3.0		1.3	2.9	

Note 9: The consumption current value includes none of the currents that flow into the output Tr and internal pull-up resistors.

Continued on next page.

# LC87F14C8A

Continued from preceding page.

Parameter	Symbol	Pin/ Remarks	Conditions	Specification				
				V <sub>DD</sub> [V]	min	typ	max	unit
HALT mode consumption current (Note 9)	IDDHALT(8)	V <sub>DD1</sub> =V <sub>DD2</sub> =V <sub>DD3</sub>	<ul style="list-style-type: none"> <li>• HALT mode</li> <li>• FmCF=0MHz (oscillation stopped)</li> <li>• FsX'tal=32.768kHz crystal oscillation mode</li> <li>• System clock set to internal RC oscillation</li> <li>• 1/2 frequency division ration</li> </ul>	4.5 to 5.5		0.37	1.8	mA
	IDDHALT(9)			3.0 to 3.6		0.18	0.84	
	IDDHALT(10)			2.7 to 3.0		0.15	0.63	
	IDDHALT(11)		<ul style="list-style-type: none"> <li>• HALT mode</li> <li>• FmCF=0MHz (oscillation stopped)</li> <li>• FsX'tal=32.768kHz crystal oscillation mode</li> <li>• System clock set to 32.768kHz side</li> <li>• Internal RC oscillation stopped</li> <li>• 1/2 frequency division ration</li> </ul>	4.5 to 5.5		27	108	μA
	IDDHALT(12)			3.0 to 3.6		8.2	38	
	IDDHALT(13)			2.7 to 3.0		5.9	26	
HOLD mode consumption current	IDDHOLD(1)	V <sub>DD1</sub>	HOLD mode <ul style="list-style-type: none"> <li>• CF1=V<sub>DD</sub> or open (External clock mode)</li> </ul>	4.5 to 5.5		0.10	27	μA
	IDDHOLD(2)			3.0 to 3.6		0.04	18	
	IDDHOLD(3)			2.7 to 3.0		0.04	16	
Timer HOLD mode consumption current	IDDHOLD(4)		Timer HOLD mode <ul style="list-style-type: none"> <li>• CF1=V<sub>DD</sub> or open (External clock mode)</li> <li>• FsX'tal=32.768 kHz crystal oscillation mode</li> </ul>	4.5 to 5.5		22	92	μA
	IDDHOLD(5)			3.0 to 3.6		5.4	29	
	IDDHOLD(6)			2.7 to 3.0		3.5	18	

## USB Characteristics and Timing at Ta = -20°C to +70°C, V<sub>SS1</sub> = V<sub>SS2</sub> = V<sub>SS3</sub> = 0V

Parameter	Symbol	Conditions	Specification			
			min	typ	max	unit
High level output	V <sub>OH</sub> (USB)	• 15kΩ±5% to GND	2.8		3.6	V
Low level output	V <sub>OL</sub> (USB)	• 1.5kΩ±5% to 3.6V			0.3	V
Output signal crossover voltage	V <sub>CRS</sub>		1.3		2.0	V
Differential input sensitivity	V <sub>DI</sub>	•  (UHD+)-(UHD-)	0.2			V
Differential input common mode range	V <sub>CM</sub>		0.8		2.5	V
High level input	V <sub>IH</sub> (USB)		2.0			V
Low level input	V <sub>IL</sub> (USB)				0.8	V
USB data rise time	t <sub>R</sub>	• R <sub>S</sub> =33Ω, C <sub>L</sub> =50pF	4		20	ns
USB data fall time	t <sub>F</sub>	• R <sub>S</sub> =33Ω, C <sub>L</sub> =50pF	4		20	ns

## F-ROM Write Characteristics at Ta = +10°C to +55°C, V<sub>SS1</sub> = V<sub>SS2</sub> = V<sub>SS3</sub> = 0V

Parameter	Symbol	Pin	Conditions	Specification				
				V <sub>DD</sub> [V]	min	typ	max	unit
Onboard programming current	IDDFW(1)	V <sub>DD1</sub>	<ul style="list-style-type: none"> <li>• 128-byte programming</li> <li>• Erasing current included</li> </ul>	3.0 to 5.5		25	40	mA
Programming time	tFW(1)		<ul style="list-style-type: none"> <li>• 128-byte programming</li> <li>• Erasing current included</li> <li>• Time for setting up 128-byte data is excluded.</li> </ul>	3.0 to 5.5		22.5	45	ms

**Characteristics of a Sample Main System Clock Oscillation Circuit**

Given below are the characteristics of a sample main system clock oscillation circuit that are measured using a SANYO-designated oscillation characteristics evaluation board and external components with circuit constant values with which the oscillator vendor confirmed normal and stable oscillation.

Table 1 Characteristics of a Sample Main System Clock Oscillator Circuit with a Ceramic Oscillator

Nominal Frequency	Vendor Name	Oscillator Name	Circuit Constant			Operating Voltage Range [V]	Oscillation Stabilization Time		Remarks
			C1 [pF]	C2 [pF]	Rd1 [Ω]		typ [ms]	max [ms]	
6MHz	MURATA	CSTCR6M00G15***-R0	(39)	(39)	1k	2.7 to 5.5	0.10	0.50	Built in C1, C2
8MHz	MURATA	CSTCE8M00G15***-R0	(33)	(33)	470	3.0 to 5.5	0.10	0.50	
10MHz	MURATA	CSTCE10M0G15***-R0	(33)	(33)	330	3.0 to 5.5	0.10	0.50	
12MHz	MURATA	CSTCE12M0G15***-R0	(33)	(33)	330	3.0 to 5.5	0.10	0.50	

The oscillation stabilization time refers to the time interval that is required for the oscillation to get stabilized after VDD goes above the operating voltage lower limit (see Figure 4).

**Characteristics of a Sample Subsystem Clock Oscillator Circuit**

Given below are the characteristics of a sample subsystem clock oscillation circuit that are measured using a SANYO-designated oscillation characteristics evaluation board and external components with circuit constant values with which the oscillator vendor confirmed normal and stable oscillation.

Table 2 Characteristics of a Sample Subsystem Clock Oscillator Circuit with a CF Oscillator

Nominal Frequency	Vendor Name	Oscillator Name	Circuit Constant				Operating Voltage Range [V]	Oscillation Stabilization Time		Remarks
			C3 [pF]	C4 [pF]	Rf [Ω]	Rd2 [Ω]		typ [s]	max [s]	
32.768kHz	EPSON TOYOCOM	MC-306	18	18	OPEN	510k	2.7 to 5.5	1.1	3.0	Applicable CL value = 12.5pF

The oscillation stabilization time refers to the time interval that is required for the oscillation to get stabilized after the instruction for starting the subclock oscillation circuit is executed and to the time interval that is required for the oscillation to get stabilized after the HOLD mode is reset (see Figure 4).

Note: The components that are involved in oscillation should be placed as close to the IC and to one another as possible because they are vulnerable to the influences of the circuit pattern.

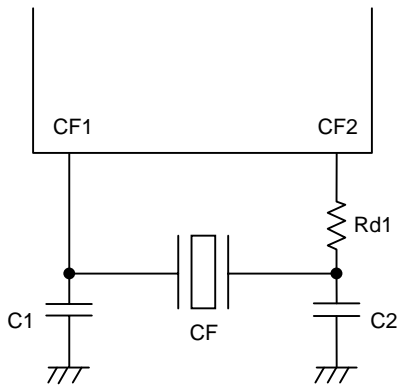


Figure 1 CF Oscillator Circuit

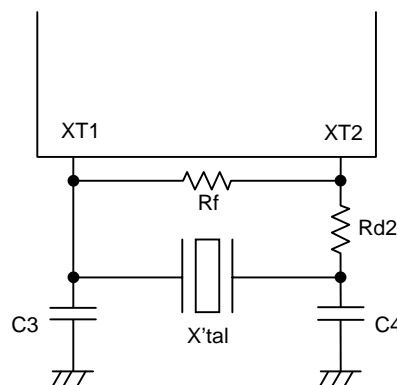


Figure 2 XT Oscillator Circuit

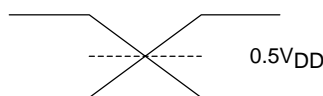
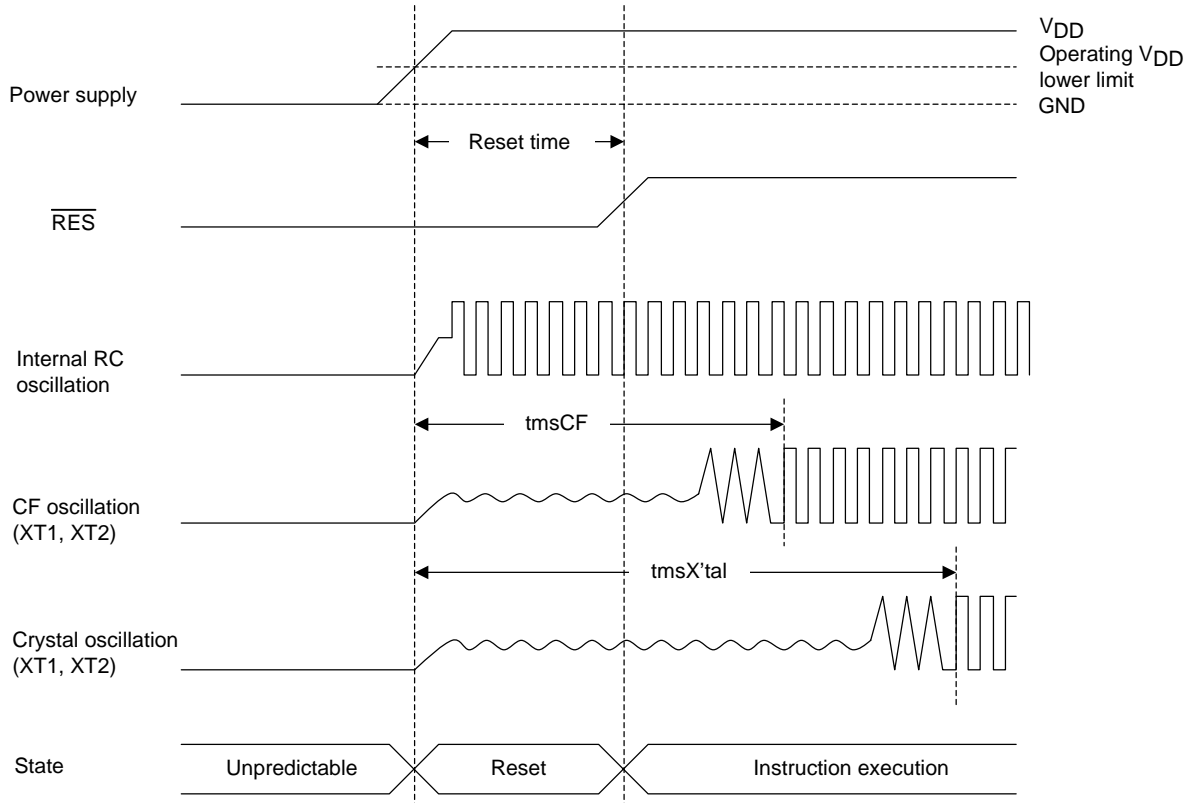


Figure 3 AC Timing Measurement Point

# LC87F14C8A



Reset Time and Oscillation Stabilization Time

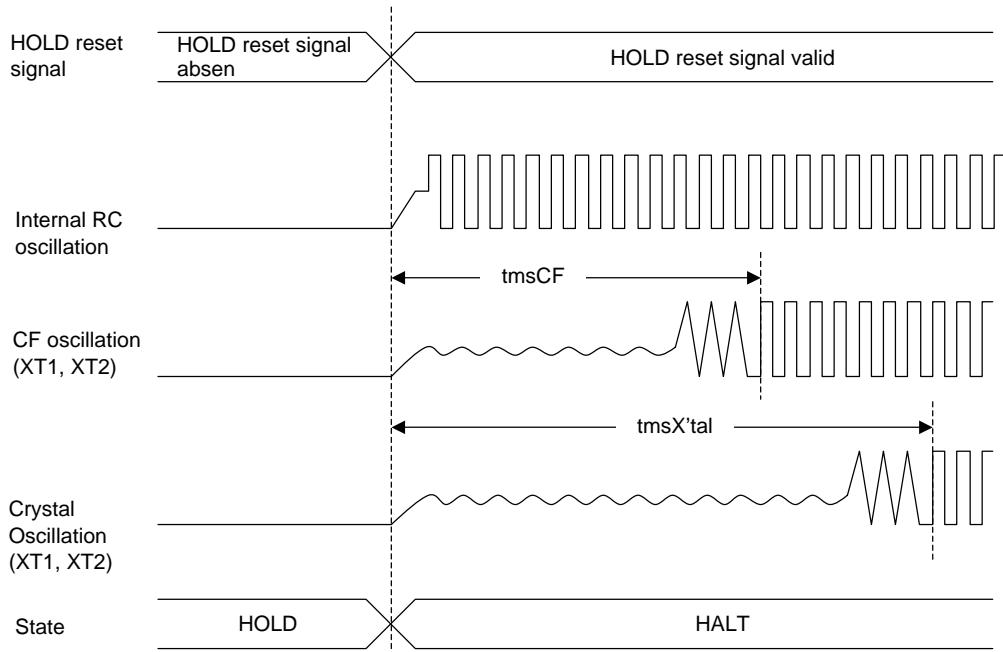
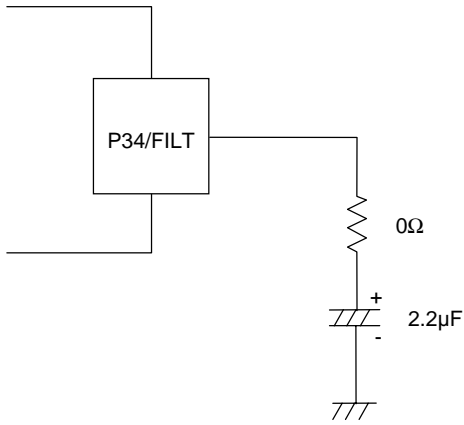
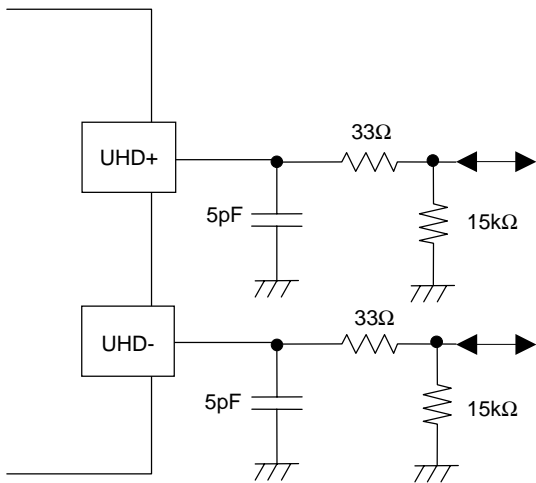


Figure 4 Oscillation Stabilization Times



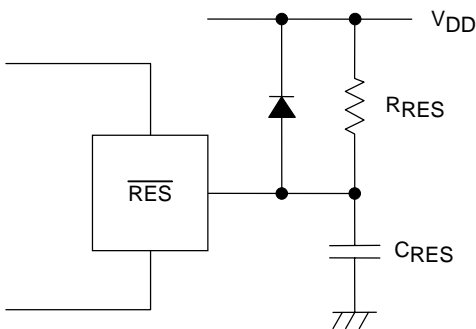
When using the internal PLL circuit to generate the 48MHz clock for USB , it is necessary to connect a filter circuit such as that shown to the left to the P34/FILT pin.

Figure 5 Filter Circuit for the Internal PLL Circuit



Note:  
It's necessary to adjust the Circuit Constant of the USB Port Peripheral Circuit each mounting board.

Figure 6 USB Port Peripheral Circuit



Note:  
Determine the value of  $C_{RES}$  and  $R_{RES}$  so that the reset signal is present for a period of  $200\mu s$  after the supply voltage goes beyond the lower limit of the IC's operating voltage.

Figure 7 Reset Circuit



# LC87F14C8A

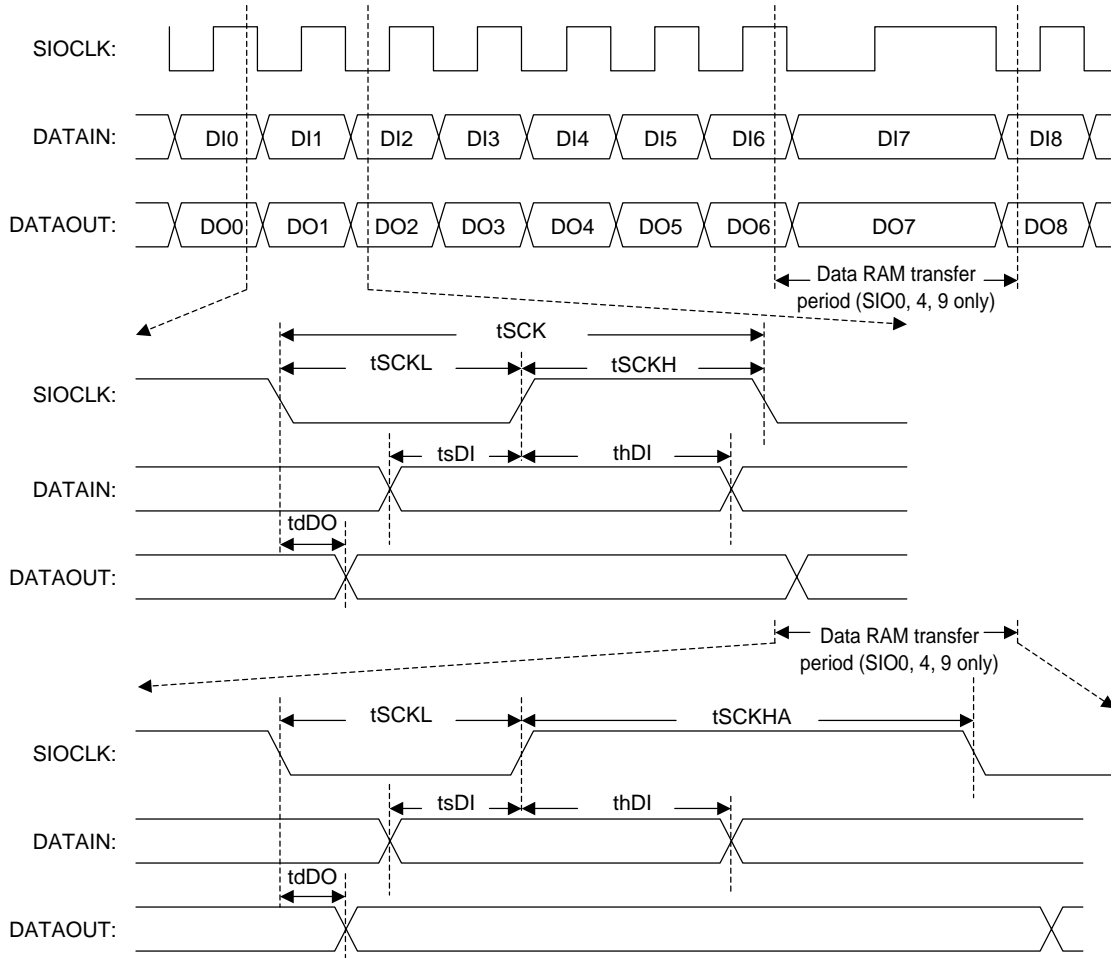


Figure 8 Serial Input/Output Waveforms

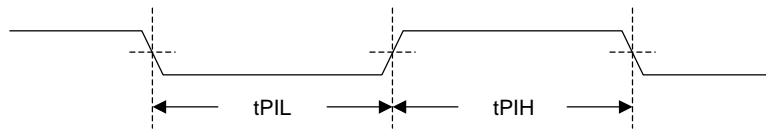


Figure 9 Pulse Input Timing Signal Waveform

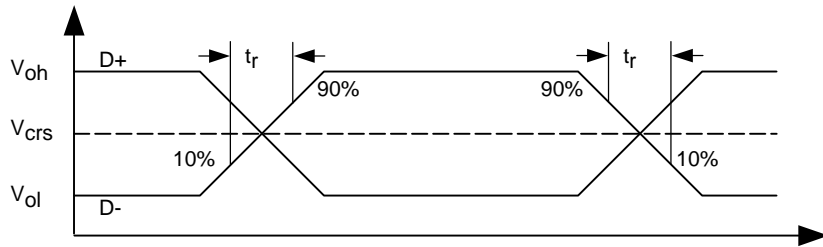


Figure 10 USB Data Signal Timing and Voltage Level

- SANYO Semiconductor Co.,Ltd. assumes no responsibility for equipment failures that result from using products at values that exceed, even momentarily, rated values (such as maximum ratings, operating condition ranges, or other parameters) listed in products specifications of any and all SANYO Semiconductor Co.,Ltd. products described or contained herein.
- SANYO Semiconductor Co.,Ltd. strives to supply high-quality high-reliability products, however, any and all semiconductor products fail or malfunction with some probability. It is possible that these probabilistic failures or malfunction could give rise to accidents or events that could endanger human lives, trouble that could give rise to smoke or fire, or accidents that could cause damage to other property. When designing equipment, adopt safety measures so that these kinds of accidents or events cannot occur. Such measures include but are not limited to protective circuits and error prevention circuits for safe design, redundant design, and structural design.
- In the event that any or all SANYO Semiconductor Co.,Ltd. products described or contained herein are controlled under any of applicable local export control laws and regulations, such products may require the export license from the authorities concerned in accordance with the above law.
- No part of this publication may be reproduced or transmitted in any form or by any means, electronic or mechanical, including photocopying and recording, or any information storage or retrieval system, or otherwise, without the prior written consent of SANYO Semiconductor Co.,Ltd.
- Any and all information described or contained herein are subject to change without notice due to product/technology improvement, etc. When designing equipment, refer to the "Delivery Specification" for the SANYO Semiconductor Co.,Ltd. product that you intend to use.
- Information (including circuit diagrams and circuit parameters) herein is for example only; it is not guaranteed for volume production.
- Upon using the technical information or products described herein, neither warranty nor license shall be granted with regard to intellectual property rights or any other rights of SANYO Semiconductor Co.,Ltd. or any third party. SANYO Semiconductor Co.,Ltd. shall not be liable for any claim or suits with regard to a third party's intellectual property rights which has resulted from the use of the technical information and products mentioned above.

This catalog provides information as of November, 2006. Specifications and information herein are subject to change without notice.