

AsahiKASEI
ASAHI KASEI EMD

AKD4345-A

AK4345 Evaluation Board Rev.2

GENERAL DESCRIPTION

The AKD4345-A is an evaluation board for the AK4345, 24bit and 96kHz DAC with DIT for portable and home audio systems. The AKD4345-A has the interface with AKM's A/D converter evaluation boards and the interface with digital audio systems via optical connector. Therefore, it is easy to evaluate the AK4345.

■ Ordering guide

AKD4345-A --- AK4345 Evaluation Board

FUNCTION

- Compatible with 2 types of input data interface
 - Direct interface with AKM's A/D converter evaluation boards via 10-pin header
 - On-board AK4112B as DIR, which accepts optical or BNC Inputs
- Optical output for internal DIT
- BNC connector for an external clock input
- BNC connector for DAC output

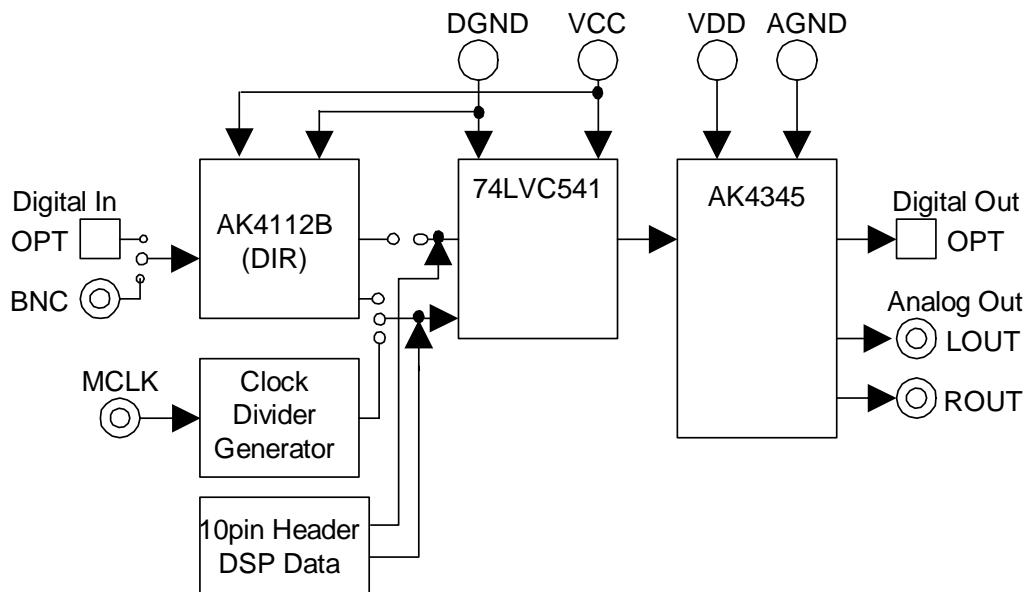


Figure 1. AKD4345-A Block Diagram

* Circuit diagram and PCB layout are attached at the end of this manual.

■ Operation sequence

1) Set up the power supply lines.

[VDD]	(Red)	= 2.7 ~ 3.6V (typ. 3.3V, for AK4345)
[VCC]	(Red)	= 2.7 ~ 3.6V (typ. 3.3V, for AK4112B, for 74LVC541 and for logic)
[AGND]	(Black)	= 0V
[DGND]	(Black)	= 0V

Each supply line should be distributed from the power supply unit.

2) Set-up the evaluation modes, jumper pins and DIP switches (See the followings.)

3) Power on.

When AK4112B is used, The AK4112B and AK4345 should be reset once by bringing SW2 and SW1 “L” upon power-up.

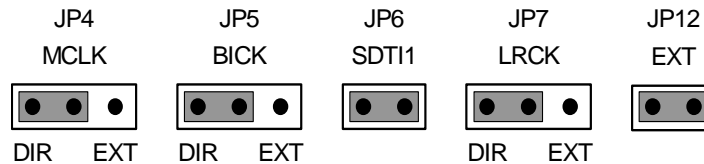
When AK4112B is not used, keep SW2 to “L”, and the AK4345 should be reset once by bringing SW1 “L” upon power-up.

■ Evaluation mode

1) D/A part evaluation using optical or S/PDIF input <Default>

Use PORT1 (RX1: OPT) or J2 (RX1: BNC).

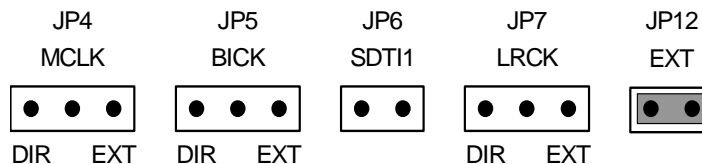
The AK4112B (DIR) generates MCLK, BICK, LRCK and SDTI1 from the received data through Optical connector (TORX141) or BNC connector. This evaluation mode should be used for the evaluation using CD test disk. Nothing should be connected to PORT3 (DSP). The selection of OPT and BNC should be done by JP14 (RX1)



2) D/A part evaluation using 10-pin connector on the AKM's A/D evaluation board

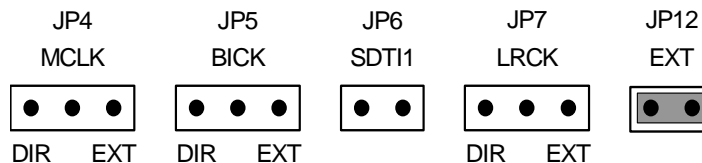
Use PORT3 (DSP).

It is able to evaluate the AK4345, connecting the 10-pin connector on the AKM's A/D evaluation board and PORT3 (DSP) via 10-line flat cable. MCLK, BICK, LRCK and SDTI1 are sent from the A/D converter evaluation board to the AKD4345 through PORT3 (DSP) via 10-line flat cable.



3) D/A part evaluation using PORT3 (DSP), and supplying all interface signals from external equipments

In case of using PORT3 (DSP), and supplying signals (MCLK, BICK, LRCK, SDTI1) that is needed for the AK4345 from external equipments, set up as following.



In case of using PORT3 (DSP), and supplying SDTI2 from external equipments, setting of SDTI2 should be done by JP8 (SDTI2).

■ Other Jumper pins set up

(1) JP15 (VDD): VDD and VCC

OPEN: Separated

SHORT: Common. (The connector "VCC" can be open.) <Default>

By opening the connector "VCC", shorting JP15 (VDD) and supplying 3.3V to the connector "VDD", the connector "VDD" can supply 3.3V to all circuits

(2) JP16 (GND): Analog ground and Digital ground

OPEN: Separated

SHORT: Common. (The connector "DGND" can be open.) <Default>

(3) JP10 (BCFS): Select the BICK of the AK4345

x1: BICK=128fs in case of MCLK=256fs/384fs/512fs/768fs.

BICK=64fs in case of MCLK=192fs.

x2: BICK=64fs in case of MCLK=128fs/256fs/384fs/512fs/768fs. <Default>

BICK=32fs in case of MCLK=192fs.

BICK=128fs in case of MCLK=1024fs/1536fs.

x4: BICK=32fs in case of MCLK=128fs/256fs/384fs/512fs/768fs.

BICK=64fs in case of MCLK=1024fs/1536fs.

x8: BICK=32fs in case of MCLK=1024fs/1536fs.

(4) JP11 (DIV), [JP9] (CLK), [JP13] (LRFS)

When using J1 (EXT), these jumper pins should be set according to Table 1.

(5) JP2 (CDTO / SDTI2): Select the signal of CDTO / SDTI2 pin

CDTO: Select the CDTO <Default>

SDTI2: Select the SDTI2

(6) JP8 (SDTI2): Select the input of SDTI2 pin

PORT3: Input the signal from PORT3

GND: Input the "0" Data <Default>

(When JP2 (CDTO / SDTI2): setting is CDTO, Set to GND)

■ Example for External Clock setting

Refer to the following setting when MCLK, BICK and LRCK are supplied to the AK4345 from J1 (EXT).

Mode	fs	MCLK	JP11 (DIV)	JP9 (CLK)	JP13 (LRFS)
Half	8kHz	512fs = 4.096MHz	x2	x2	x1
		768fs = 6.144MHz	x3	x2	x1
		1024fs = 8.192MHz	x2	x2	x2
		1536fs = 12.288MHz	x3	x2	x2
	24kHz	512fs = 12.288MHz	x2	x2	x1
		768fs = 18.432MHz	x3	x2	x1
		1024fs = 24.576MHz	x2	x2	x2
		1536fs = 36.864MHz	x3	x2	x2
Normal	8kHz	256fs = 2.048MHz	x1	x2	x1
		384fs = 3.072MHz	OPEN	x3	x1
		512fs = 4.096MHz	x2	x2	x1
		768fs = 6.144MHz	x3	x2	x1
	32kHz	256fs = 8.192MHz	x1	x2	x1
		384fs = 12.288MHz	OPEN	x3	x1
		512fs = 16.384MHz	x2	x2	x1
		768fs = 24.576MHz	x3	x2	x1
	44.1kHz	256fs = 11.2896MHz	x1	x2	x1
		384fs = 16.9344MHz	OPEN	x3	x1
		512fs = 22.5792MHz	x2	x2	x1
		768fs = 33.8688MHz	x3	x2	x1
	48kHz	256fs = 12.288MHz	x1	x2	x1
		384fs = 18.432MHz	OPEN	x3	x1
		512fs = 24.576MHz	x2	x2	x1
		768fs = 36.864MHz	x3	x2	x1
Double	48kHz	128fs = 6.144MHz	OPEN	x1	x1
		192fs = 9.216MHz	OPEN	x3	x3
		256fs = 12.288MHz	x1	x2	x1
		384fs = 18.432MHz	OPEN	x3	x1
	96kHz	128fs = 12.288MHz	OPEN	x1	x1
		192fs = 18.432MHz	OPEN	x3	x3
		256fs = 24.576MHz	x1	x2	x1
		384fs = 36.864MHz	OPEN	x3	x1

Default

Table 1. Clock Setting

■ DIP Switch set up

[SW3]: Setting the audio data format of the AK4112B (ON="H", OFF="L")

Mode	SW3-3 DIF2	SW3-2 DIF1	SW3-1 DIF0	SDTI Format
0	L	L	L	16bit, LSB justified
3	L	H	H	24bit, LSB justified
4	H	L	L	24bit, MSB justified
5	H	L	H	24bit, I ² S Compatible

Default

Table 2. SW3: Audio Data Format of AK4112B

Note. The AK4112B does not support 16bit, I²S Compatible.

■ The function of the toggle SW

[SW1] (AK4345-PDN): Resets the AK4345. Keep “H” during normal operation.
 The AK4345 should be reset once by bringing SW1 “L” upon power-up.

[SW2] (AK4112B-PDN): Resets the AK4112B. Keep “H” during normal operation.
 The AK4112B should be reset once by bringing SW2 “L” upon power-up.

■ Analog Output Circuit

The DAC of AK4345 outputs analog audio signals through J3 and J4.

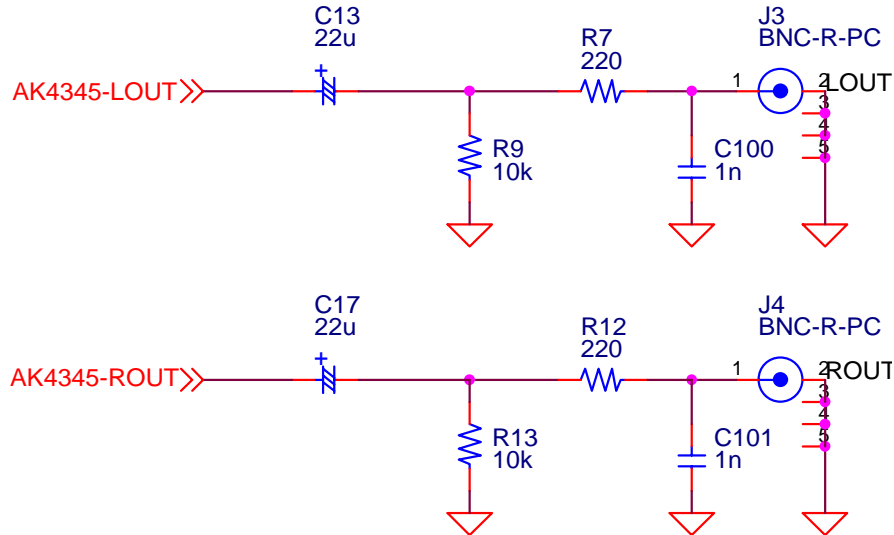


Figure 2. LOUT/ROUT Output circuit

* AKEMD assumes no responsibility for the trouble when using the above circuit examples.

■ Serial control

The AKD4345-A can be controlled via the printer port (parallel port) of IBM-AT compatible PC. Connect PORT4 (uP-I/F) to PC by 10-line flat cable packed with the AKD4345-A. Take care of the direction of connector. There is a mark at pin#1. The pin layout of PORT4 as shown Figure 3.

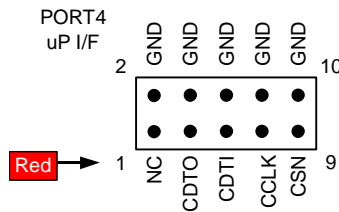


Figure 3. PORT4 pin layout

Control Software Manual

■ Set-up of evaluation board and control software

1. Set up the AKD4345-A according to the **Operating Sequence** located on page 2.
2. Connect IBM-AT compatible PC with AKD4345-A by 10-line type flat cable (packed with AKD4345-A). Take care of the direction of 10pin header. (Please install the driver in the CD-ROM when this control software is used on Windows 2000/XP. Please refer "Installation Manual of Control Software Driver by AKM device control software". In case of Windows95/98/ME, this installation is not needed. This control software does not operate on Windows NT.)
3. Insert the CD-ROM labeled "AKD4345-A Evaluation Kit" into the CD-ROM drive.
4. Access the CD-ROM drive and double-click the icon of "akd4345-a.exe" to set up the control program.
5. Please evaluate according to the following.

■ Operation flow

Keep the following flow.

1. Set up the control program according to explanation above.
2. Click "Port Reset" button.

■ Explanation of each buttons

1. [Port Reset]: Set up the USB interface board (AKDUSBIF-A) .
2. [Write default]: Initialize the register of AK4345.
3. [All Write]: Write all registers that is currently displayed.
4. [Function1]: Dialog to write data by keyboard operation.
5. [Function2]: Dialog to write data by keyboard operation.
6. [Function3]: The sequence of register setting can be set and executed.
7. [Function4]: The sequence that is created on [Function3] can be assigned to buttons and executed.
8. [Function5]: The register setting that is created by [SAVE] function on main window can be assigned to buttons and executed.
9. [SAVE]: Save the current register setting.
10. [OPEN]: Write the saved values to all register.
11. [Write]: Dialog to write data by mouse operation.

■ Indication of data

Input data is indicated on the register map. Red letter indicates "H" or "1" and blue one indicates "L" or "0". Blank is the part that is not defined in the datasheet.

■ Explanation of each dialog

1. [Write Dialog]: Dialog to write data by mouse operation

There are dialogs corresponding to each register.

Click the [Write] button corresponding to each register to set up the dialog. If you check the check box, data becomes “H” or “L”. If not, “0” or “1”.

If you want to write the input data to AK4345, click [OK] button. If not, click [Cancel] button.

2. [Function1 Dialog] : Dialog to write data by keyboard operation

Address Box: Input registers address in 2 figures of hexadecimal.

Data Box: Input registers data in 2 figures of hexadecimal.

If you want to write the input data to AK4345, click [OK] button. If not, click [Cancel] button.

3. [Function2 Dialog] : Dialog to evaluate ATT

Address Box: Input registers address in 2 figures of hexadecimal.

Start Data Box: Input starts data in 2 figures of hexadecimal.

End Data Box: Input end data in 2 figures of hexadecimal.

Interval Box: Data is written to AK4345 by this interval.

Step Box: Data changes by this step.

Mode Select Box:

*If you check this check box, data reaches end data, and returns to start data.

[Example] Start Data = 00, End Data = 09

Data flow: 00 01 02 03 04 05 06 07 08 09 09 08 07 06 05 04 03 02 01 00

*If you do not check this check box, data reaches end data, but does not return to start data.

[Example] Start Data = 00, End Data = 09

Data flow: 00 01 02 03 04 05 06 07 08 09

If you want to write the input data to AK4345, click [OK] button. If not, click [Cancel] button.

4. [Save] and [Open]

4-1. [Save]

Save the current register setting data. The extension of file name is “akr”.

(Operation flow)

- (1) Click [Save] Button.
- (2) Set the file name and push [Save] Button. The extension of file name is “akr”.

4-2. [Open]

The register setting data saved by [Save] is written to AK4345. The file type is the same as [Save].

(Operation flow)

- (1) Click [Open] Button.
- (2) Select the file (*.akr) and Click [Open] Button.

5. [Function3 Dialog]

The sequence of register setting can be set and executed.

(1) Click [F3] Button.

(2) Set the control sequence.

Set the address, Data and Interval time. Set “-1” to the address of the step where the sequence should be paused.

(3) Click [Start] button. Then this sequence is executed.

The sequence is paused at the step of Interval="-1". Click [START] button, the sequence restarts from the paused step.

This sequence can be saved and opened by [Save] and [Open] button on the Function3 window. The extension of file name is “aks”.

	Address	Data	Interval		Address	Data	Interval
1	-1	H 0	H 0	ms	16	-1	H 0
2	-1	H 0	H 0	ms	17	-1	H 0
3	-1	H 0	H 0	ms	18	-1	H 0
4	-1	H 0	H 0	ms	19	-1	H 0
5	-1	H 0	H 0	ms	20	-1	H 0
6	-1	H 0	H 0	ms	21	-1	H 0
7	-1	H 0	H 0	ms	22	-1	H 0
8	-1	H 0	H 0	ms	23	-1	H 0
9	-1	H 0	H 0	ms	24	-1	H 0
10	-1	H 0	H 0	ms	25	-1	H 0
11	-1	H 0	H 0	ms			
12	-1	H 0	H 0	ms	Start Step	1	
13	-1	H 0	H 0	ms			
14	-1	H 0	H 0	ms			
15	-1	H 0	H 0	ms			

START Help

Save OPEN Close

Figure 4. Window of [F3]

6. [Function4 Dialog]

The sequence that is created on [Function3] can be assigned to buttons and executed. When [F4] button is clicked, the window as shown in Figure opens.

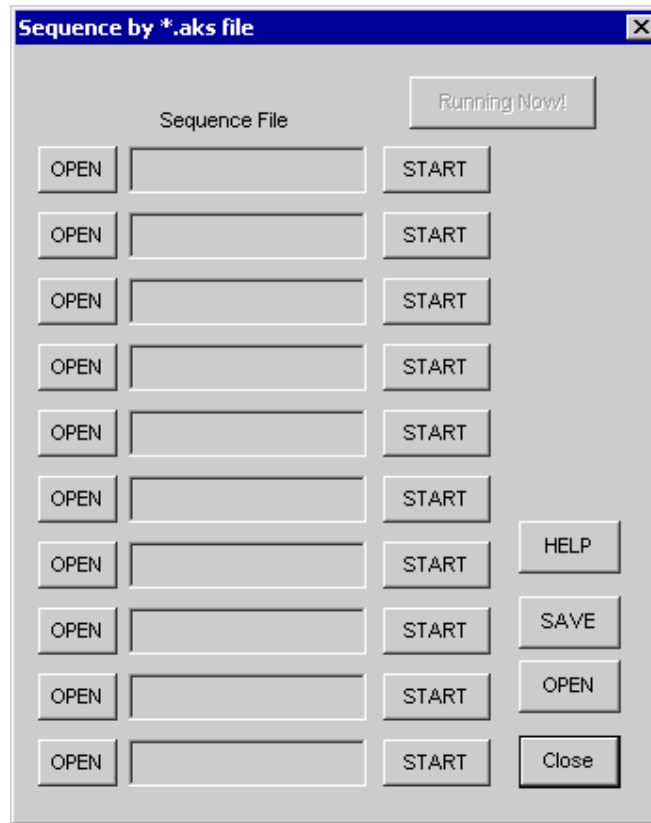


Figure 5. [F4] window

6-1. [OPEN] buttons on left side and [START] buttons

(1) Click [OPEN] button and select the sequence file (*.aks).

The sequence file name is displayed as shown in Figure.

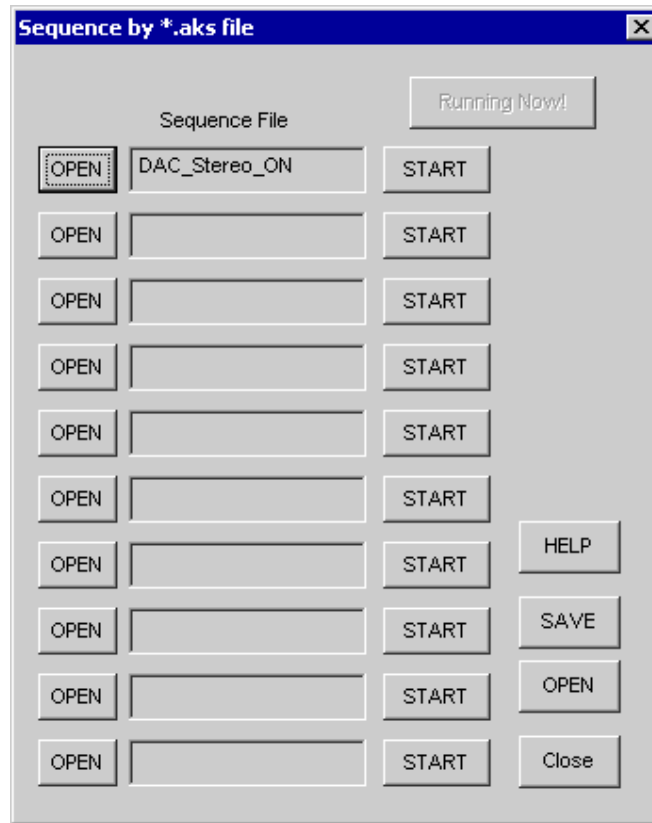


Figure 6. [F4] window(2)

(2) Click [START] button, then the sequence is executed.

6-2. [SAVE] and [OPEN] buttons on right side

[SAVE]: The sequence file names can assign be saved. The file name is *.ak4.

[OPEN]: The sequence file names assign that are saved in *.ak4 are loaded.

6-3. Note

- (1) This function doesn't support the pause function of sequence function.
- (2) All files need to be in same folder used by [SAVE] and [OPEN] function on right side.
- (3) When the sequence is changed in [Function3], the file should be loaded again in order to reflect the change.

7. [Function5 Dialog]

The register setting that is created by [SAVE] function on main window can be assigned to buttons and executed. When [F5] button is clicked, the following window as shown in Figure opens.

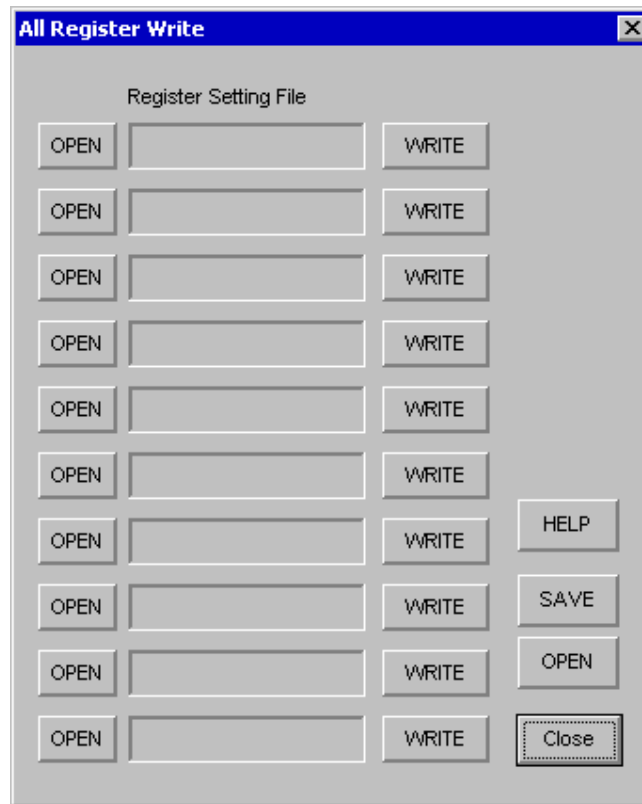


Figure 7. [F5] window

7-1. [OPEN] buttons on left side and [WRITE] button

- (1) Click [OPEN] button and select the register setting file (*.akr).
- (2) Click [WRITE] button, then the register setting is executed.

7-2. [SAVE] and [OPEN] buttons on right side

[SAVE] : The register setting file names assign can be saved. The file name is *.ak5.

[OPEN] : The register setting file names assign that are saved in *.ak5 are loaded.

7-3. Note

- (1) All files need to be in same folder used by [SAVE] and [OPEN] function on right side.
- (3) When the register setting is changed by [Save] Button in main window, the file should be loaded again in order to reflect the change.

MEASUREMENT RESULTS

[Measurement condition]

- Measurement unit : Audio Precision, System Two Cascade
- MCLK : 512fs (fs=44.1KHz) /256fs (fs=96KHz)
- BICK : 64fs
- fs : 44.1kHz / 96kHz
- BW : 20Hz~20KHz (fs=44.1kHz) / 20Hz~40KHz (fs=96kHz)
- Bit : 24bit
- Power Supply : VDD = 3.3V
- Interface : PSIA
- Temperature : Room

[Measurement Results]

Parameter	Results	Unit
DAC Analog Output Characteristics	Lch / Rch	
S/(N+D) (fs=44.1kHz, fin=1KHz, 0dBFS)	-90.6/ -90.6	dB
(fs=96kHz, fin=1KHz, 0dBFS)	-87.7/ -87.7	dB
D-Range (fs=44.1kHz, fin=1KHz, -60dBFS, A-weighted)	99.4/99.4	dB
(fs=96kHz, fin=1KHz, -60dBFS, A-weighted)	98.9/98.9	dB
S/N (fs=44.1kHz, no-input, A-weighted)	99.7/99.7	dB
(fs=96kHz, no-input, A-weighted)	99.0/99.1	dB
Interchannel Isolation (fin=1KHz, 0dBFS/no-input)	115.7/115.7	dB

[DAC Plot: fs=44.1kHz]

AKM

THD+N vs. Input Level
fs=44.1kHz, fin=1kHz

06/18/07 09:30:43

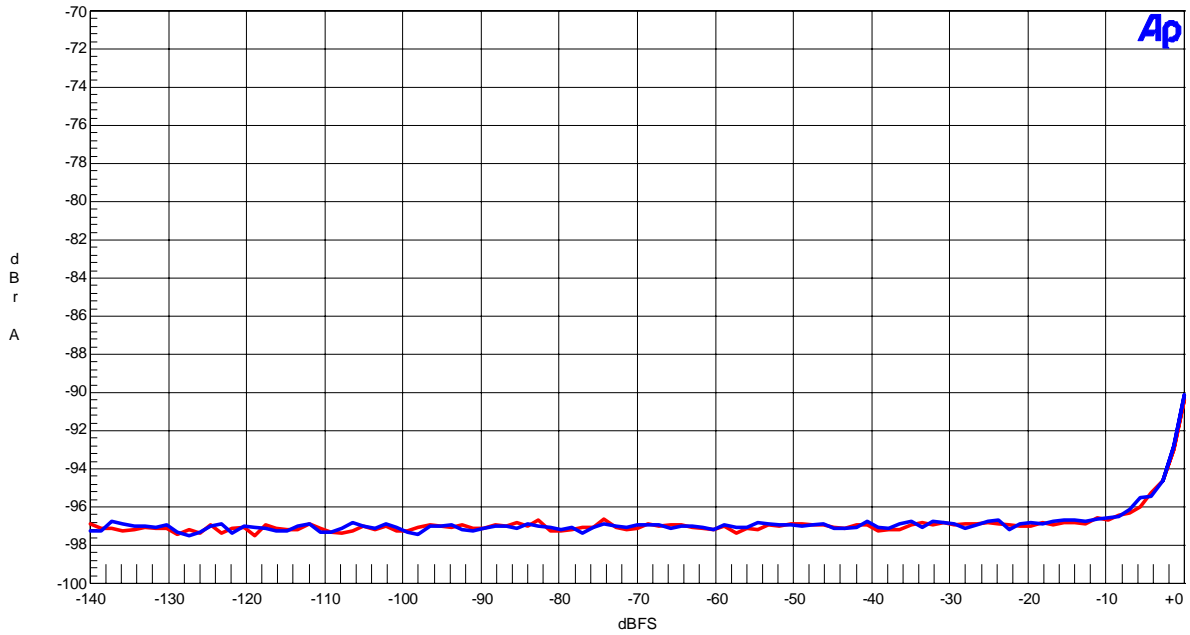


Figure 1. THD+N vs. Input Level (fin=1KHz)

AKM

THD+N vs. Input Frequency
fs=44.1kHz, fin=0dBFS

06/18/07 09:28:48

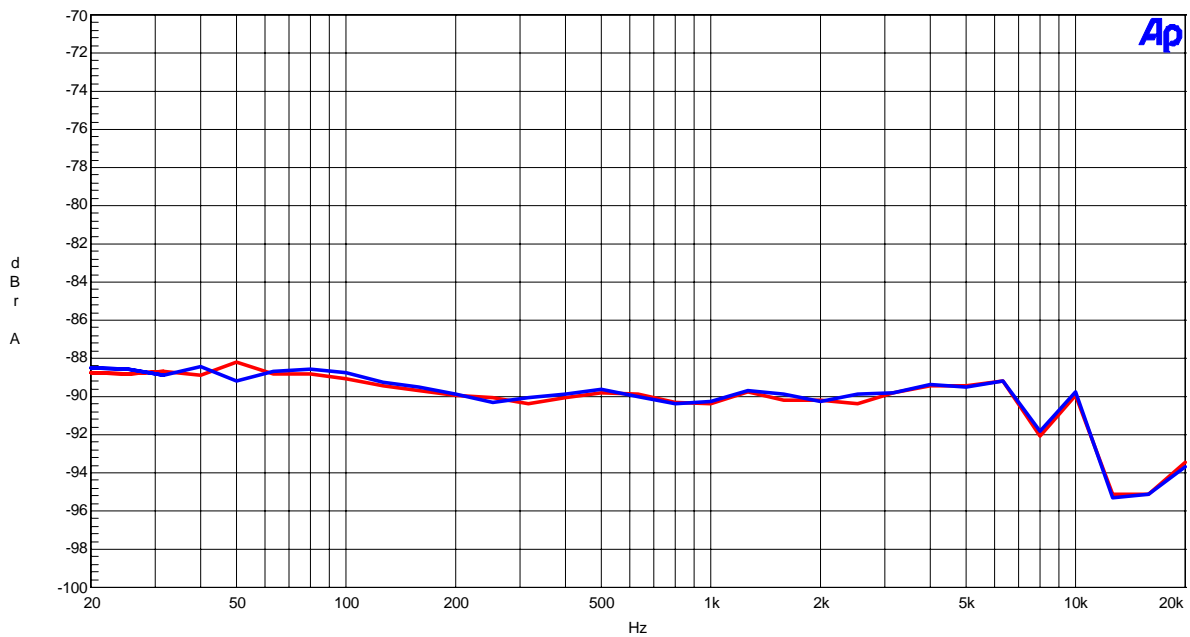


Figure 2. THD+N vs. Input Frequency (Input Level=0dBFS)

[DAC Plot: fs=44.1kHz]

AKM

Linearity
fs=44.1kHz, fin=1kHz

06/18/07 09:35:13

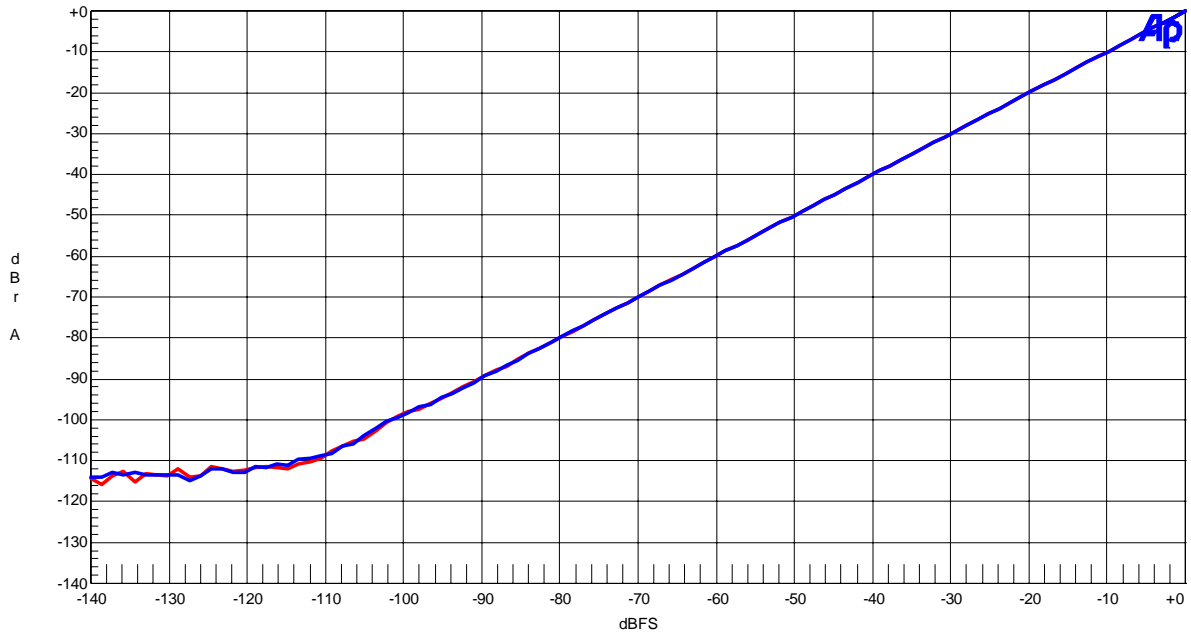


Figure 3. Linearity (fin=1kHz)

AKM

Frequency Response
fs=44.1kHz, fin=0dBFS

06/18/07 09:49:36

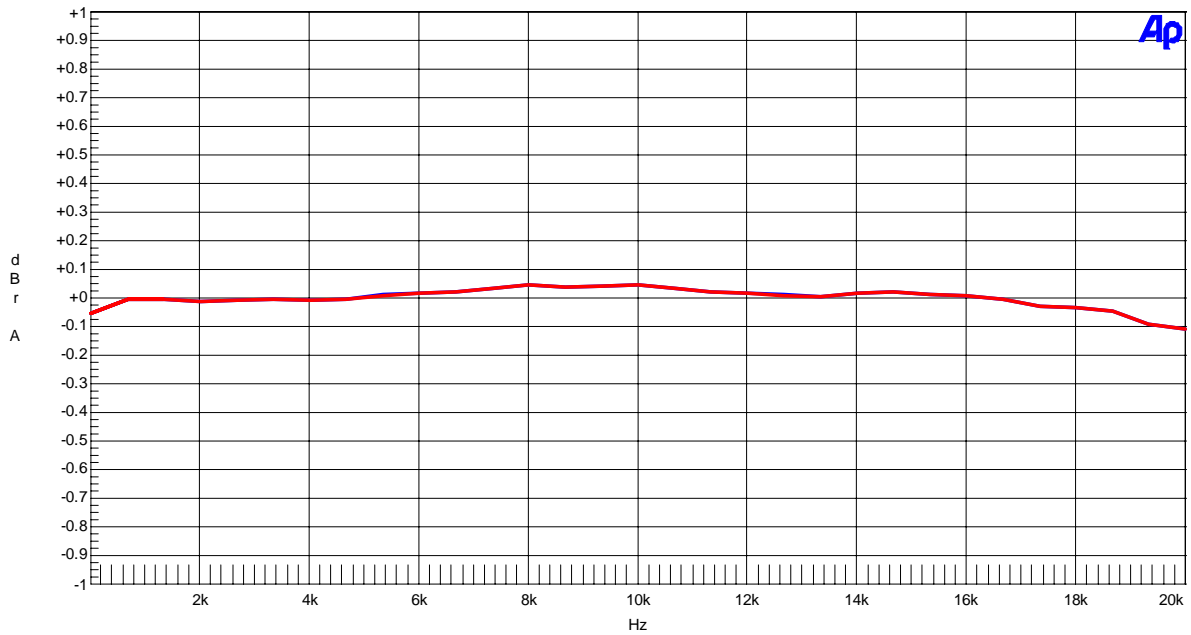


Figure 4. Frequency Response (Input Level=0dBFS)

[DAC Plot: fs=44.1kHz]

AKM

Crosstalk
fs=44.1kHz

06/18/07 09:56:53

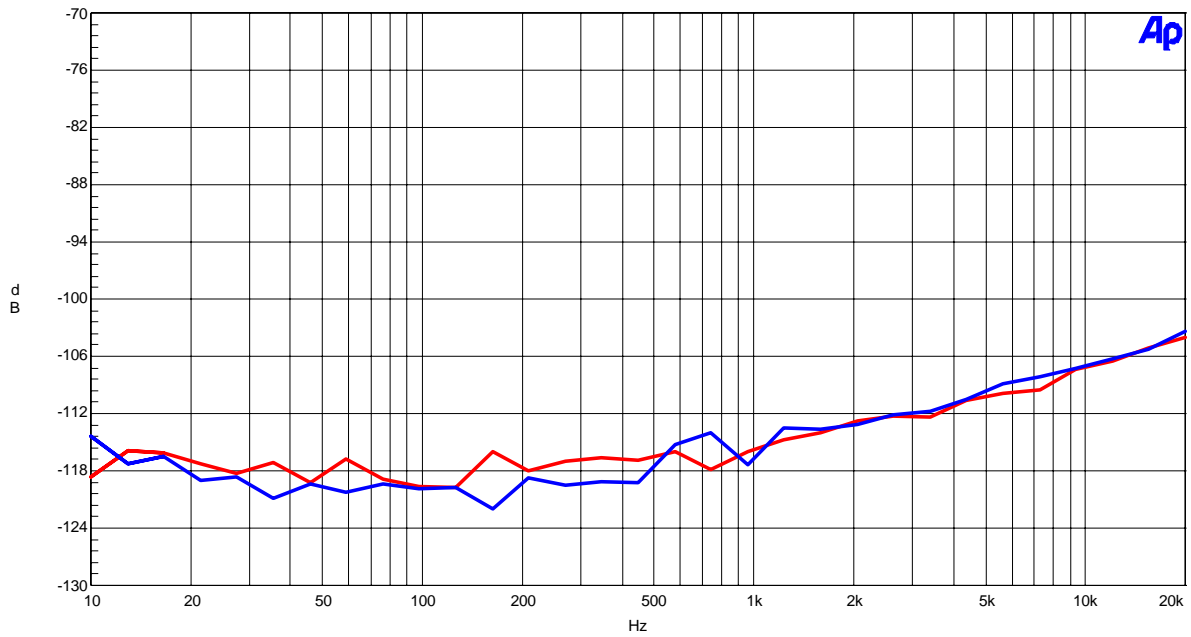


Figure 5. Crosstalk (fin=1KHz, Input Level=0dBFS/no-input)

AKM

FFT
fs=44.1kHz, fin=0dBFS,1kHz

06/18/07 10:07:31

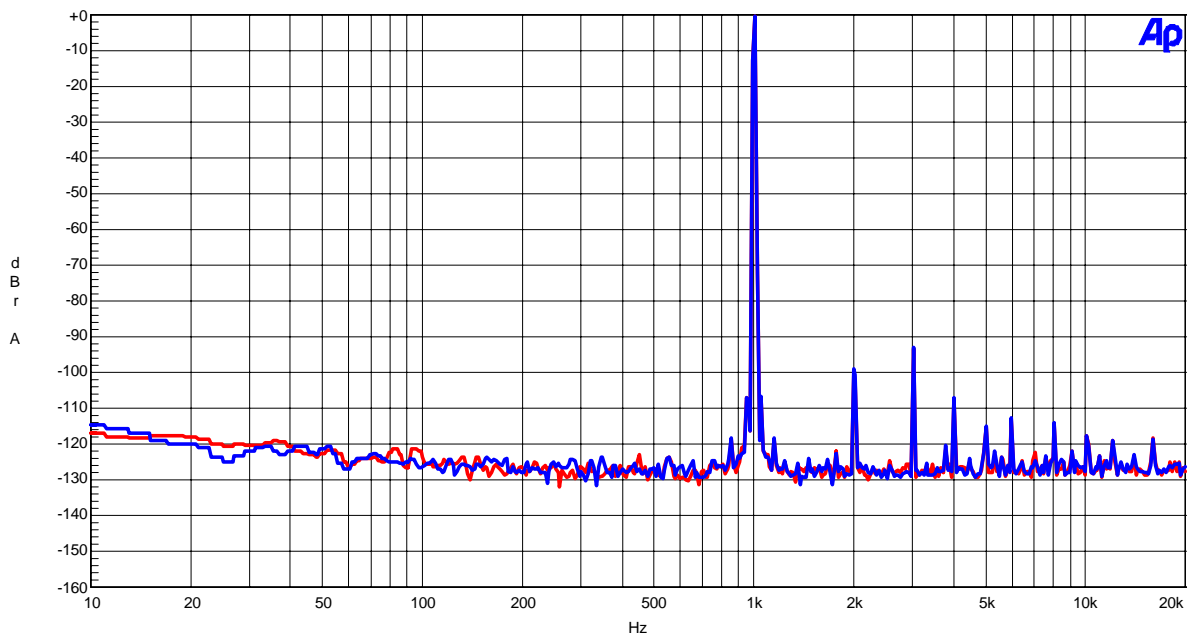


Figure 6. FFT Plot (fin=1KHz, Input Level=0dBFS)

[DAC Plot: fs=44.1kHz]

AKM

FFT
fs=44.1kHz, fin=-60dBFS, 1kHz

06/18/07 10:08:53

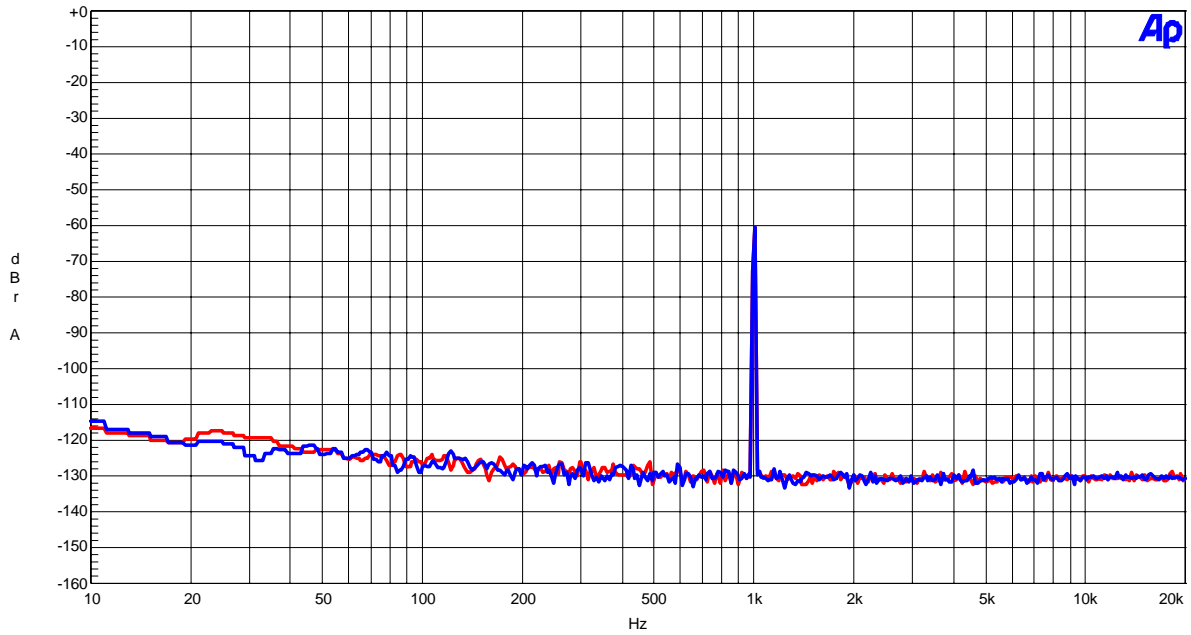


Figure 7. FFT Plot (fin=1KHz, Input Level=-60dBFS)

AKM

FFT Noise floor
fs=44.1kHz

06/18/07 10:09:30

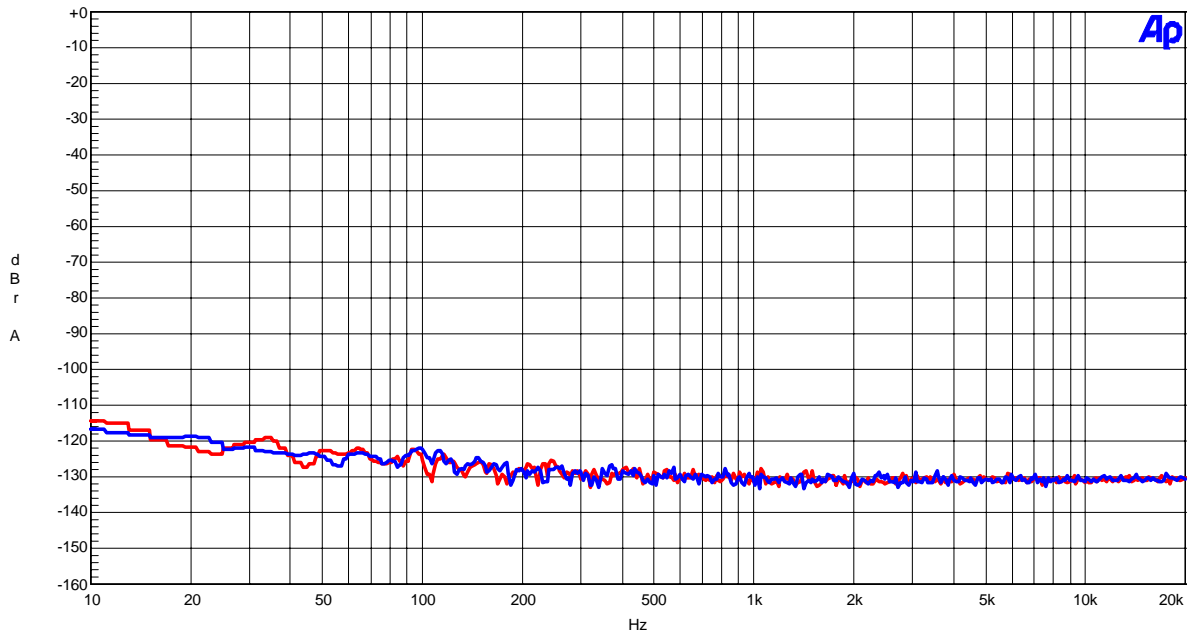


Figure 8. FFT Plot (no-input)

[DAC Plot: fs=96kHz]

AKM

FFT Out-of-band Noise
fs=44.1kHz

06/18/07 10:32:35

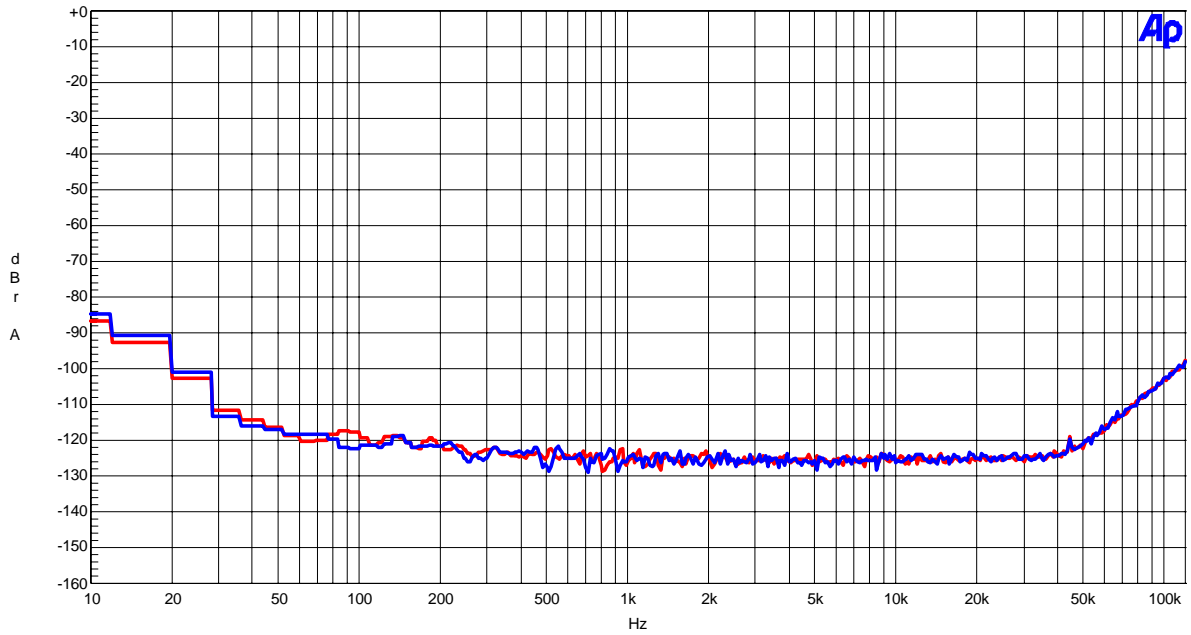


Figure 9. FFT Plot (out-of-band-noise)

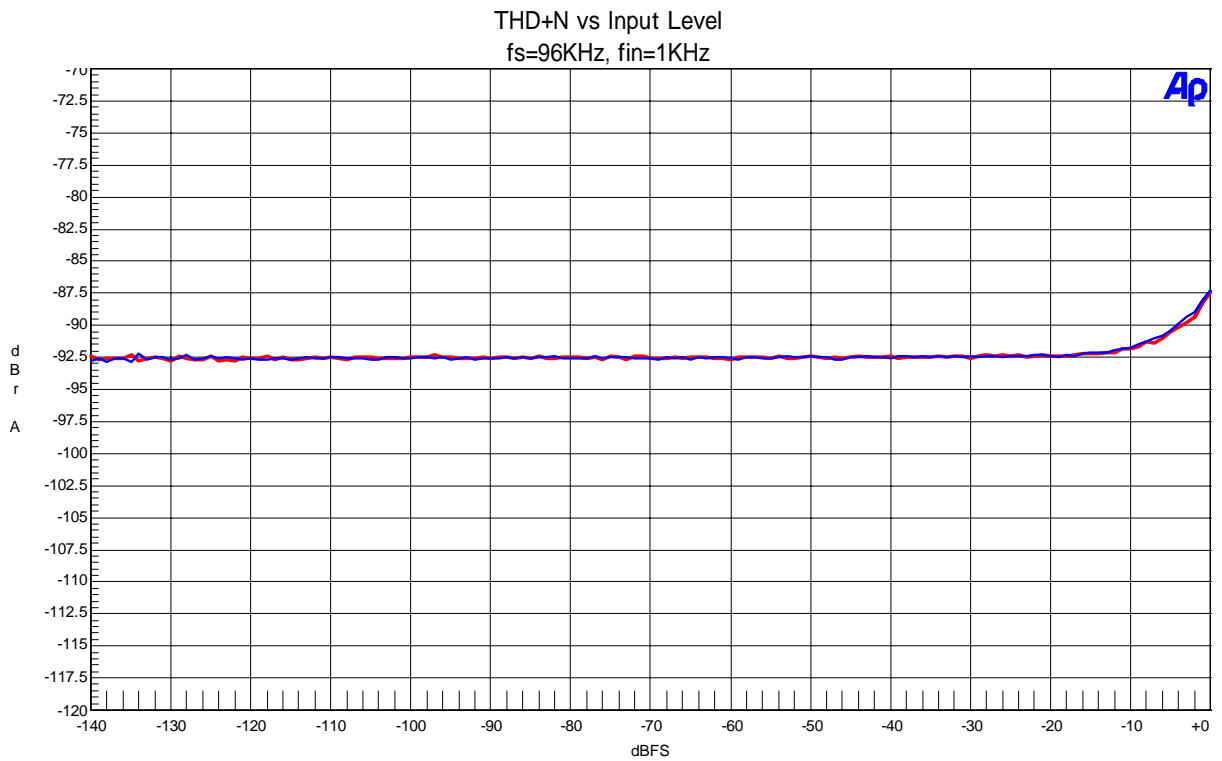


Figure 10. THD+N vs. Input Level (fin=1kHz)

[DAC Plot: fs=96kHz]

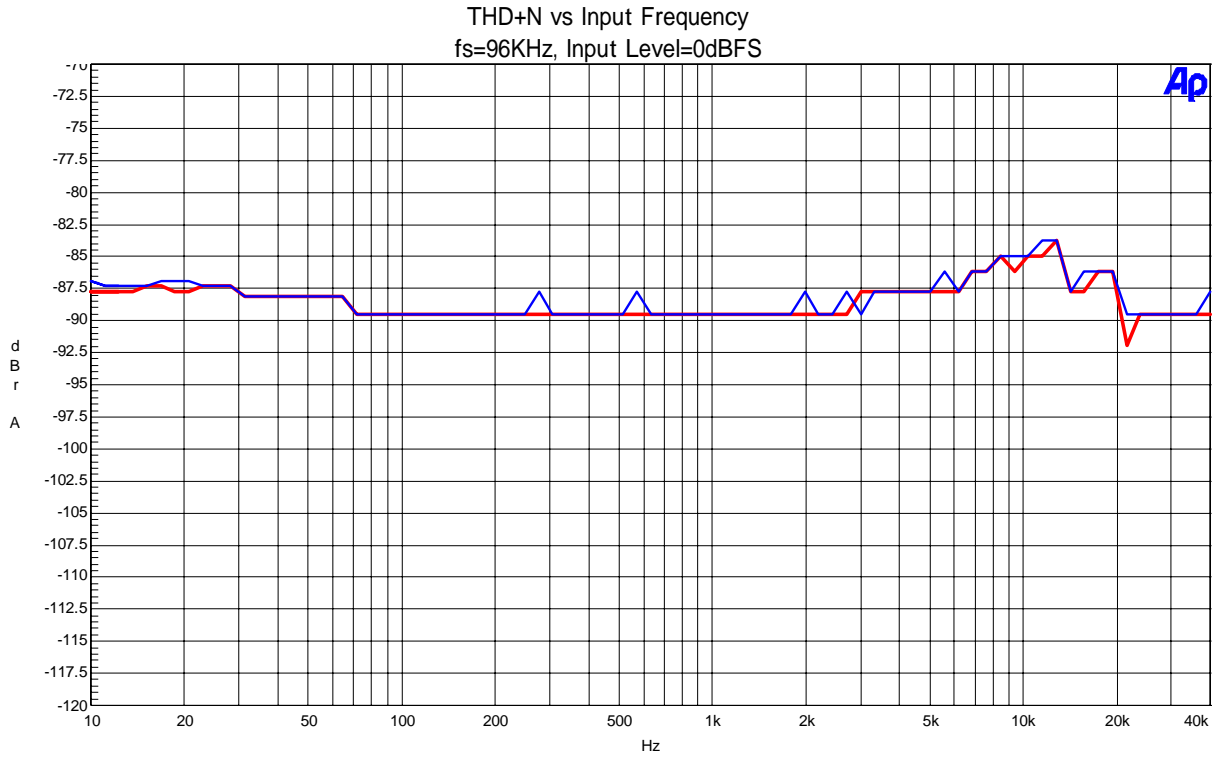


Figure 11. THD+N vs. Input Frequency (Input Level=0dBFS)

AKM

Linearity
fs=96kHz

06/18/07 10:46:53

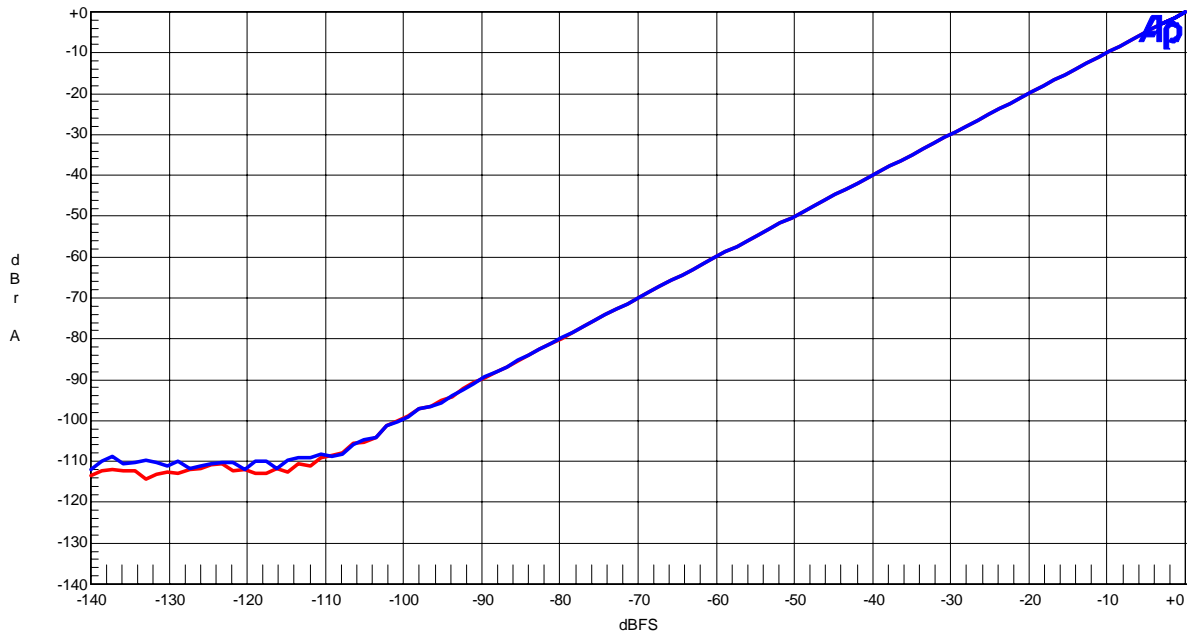


Figure 12. Linearity (fin=1KHz)

[DAC Plot: fs=96kHz]

AKM

Frequency response
fs=96kHz

06/18/07 10:49:42

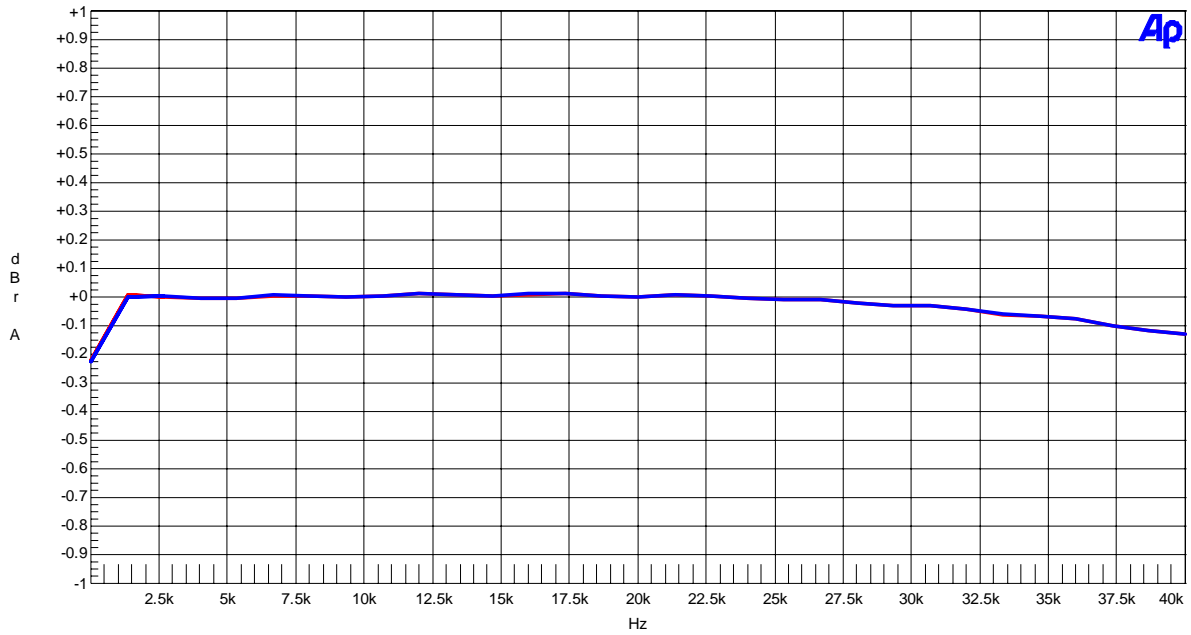


Figure 13. Frequency Response (Input Level=0dBFS)

AKM

Crosstalk
fs=96kHz

06/18/07 10:52:01

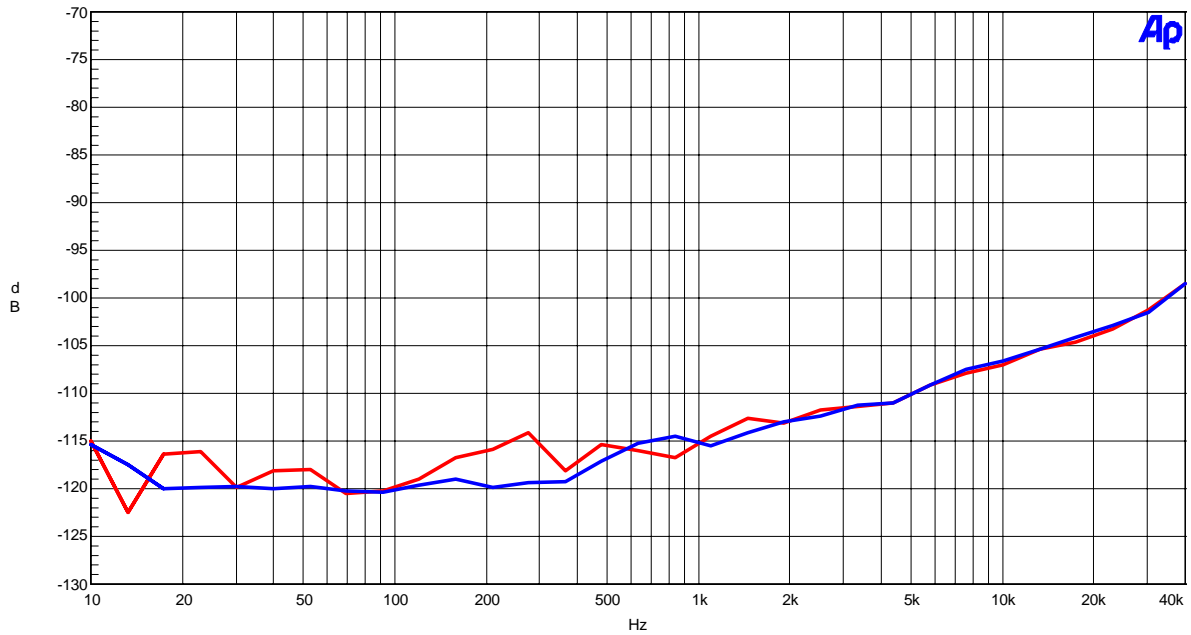


Figure 14. Crosstalk (fin=1kHz, Input Level=0dBFS/no-input)

[DAC Plot: fs=96kHz]

AKM

FFT
fs=96kHz, fin=0dBFS, 1kHz

06/18/07 10:24:00

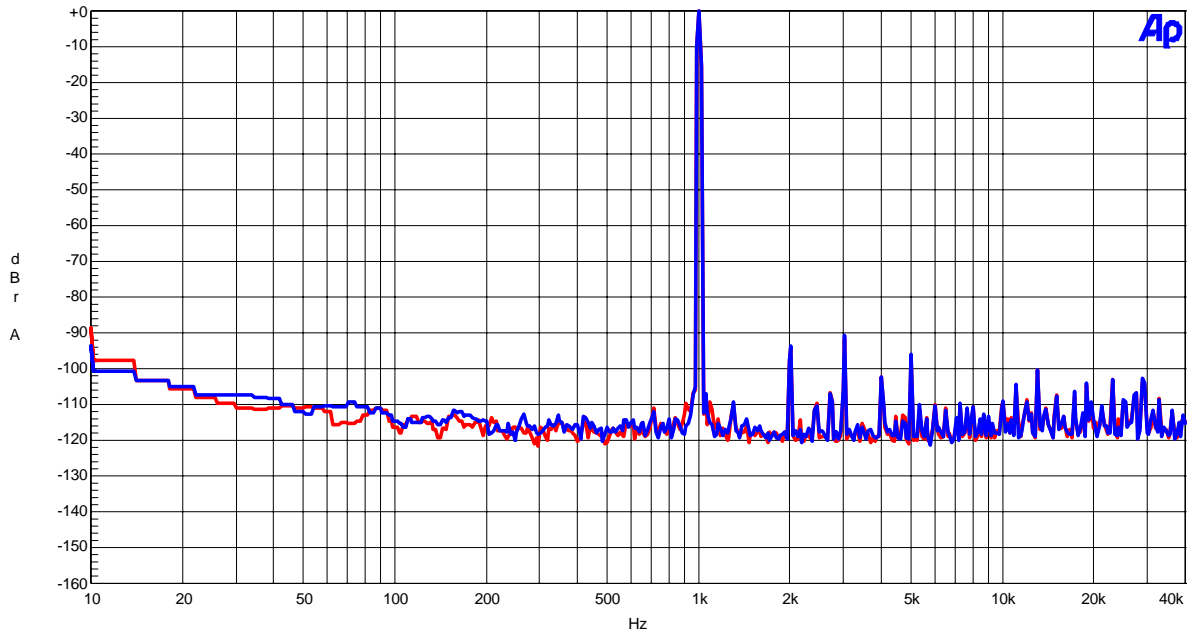


Figure 15. FFT Plot (fin=1kHz, Input Level= 0dBFS)

AKM

FFT
fs=96kHz, fin=-60dBFS, 1kHz

06/18/07 10:28:58

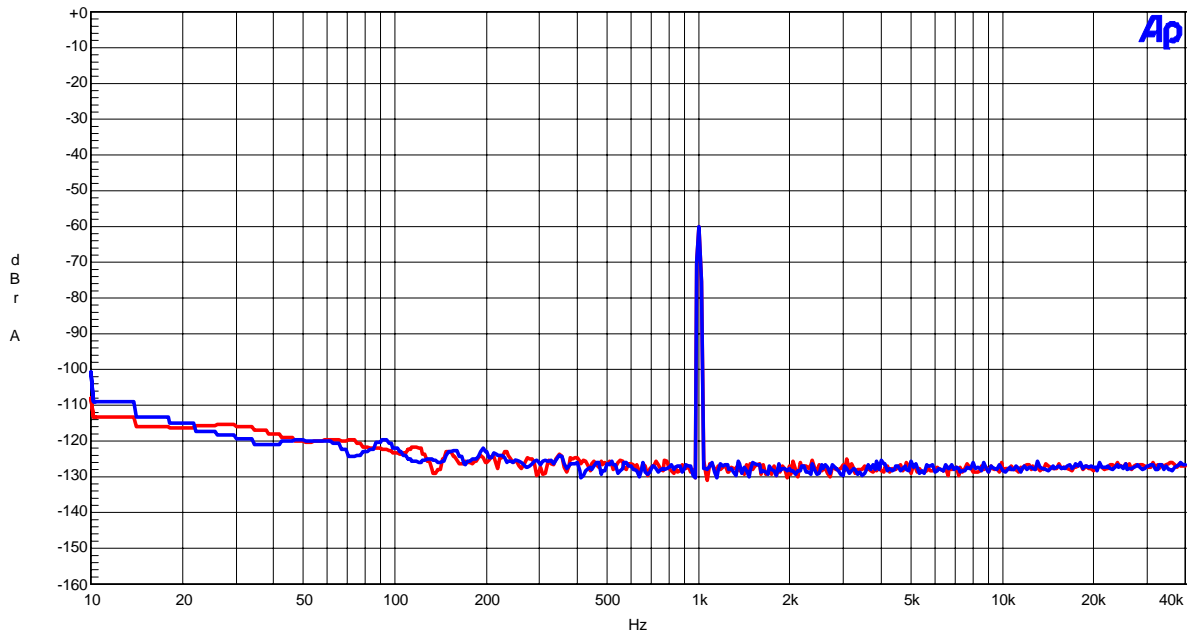


Figure 16. FFT Plot (fin=1kHz, Input Level= -60dBFS)

[DAC Plot: fs=96kHz]

AKM

FFT Noise floor
fs=96kHz

06/18/07 10:29:37

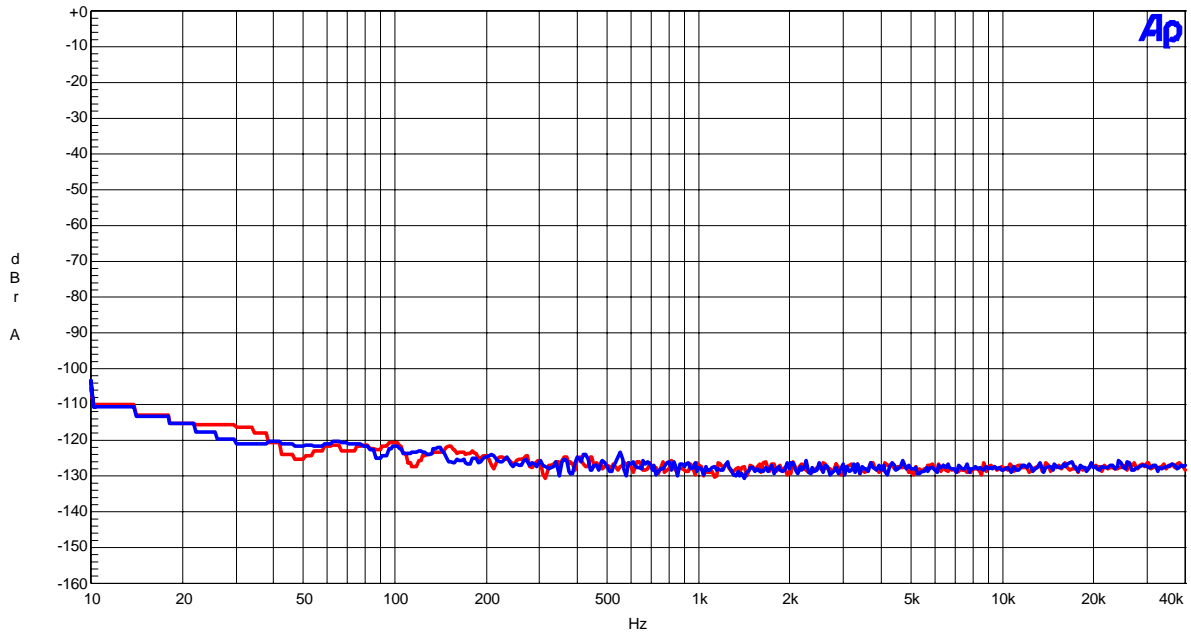


Figure 17. FFT Plot (no-input)

AKM

FFT Out-of-band Noise
fs=96kHz

06/18/07 10:30:24

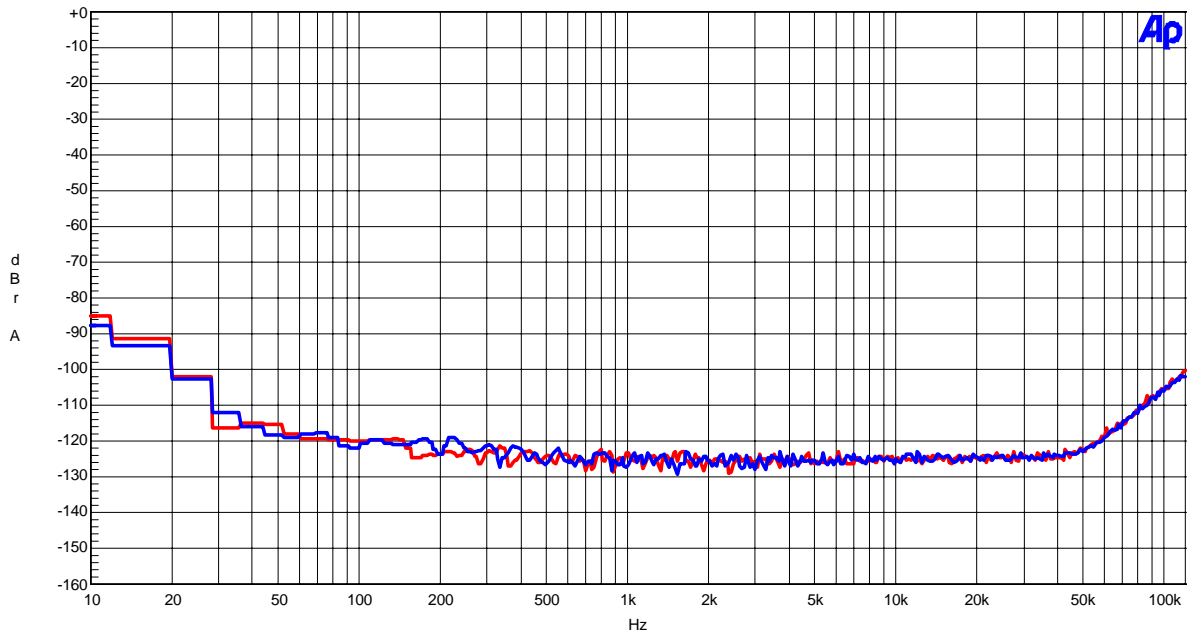


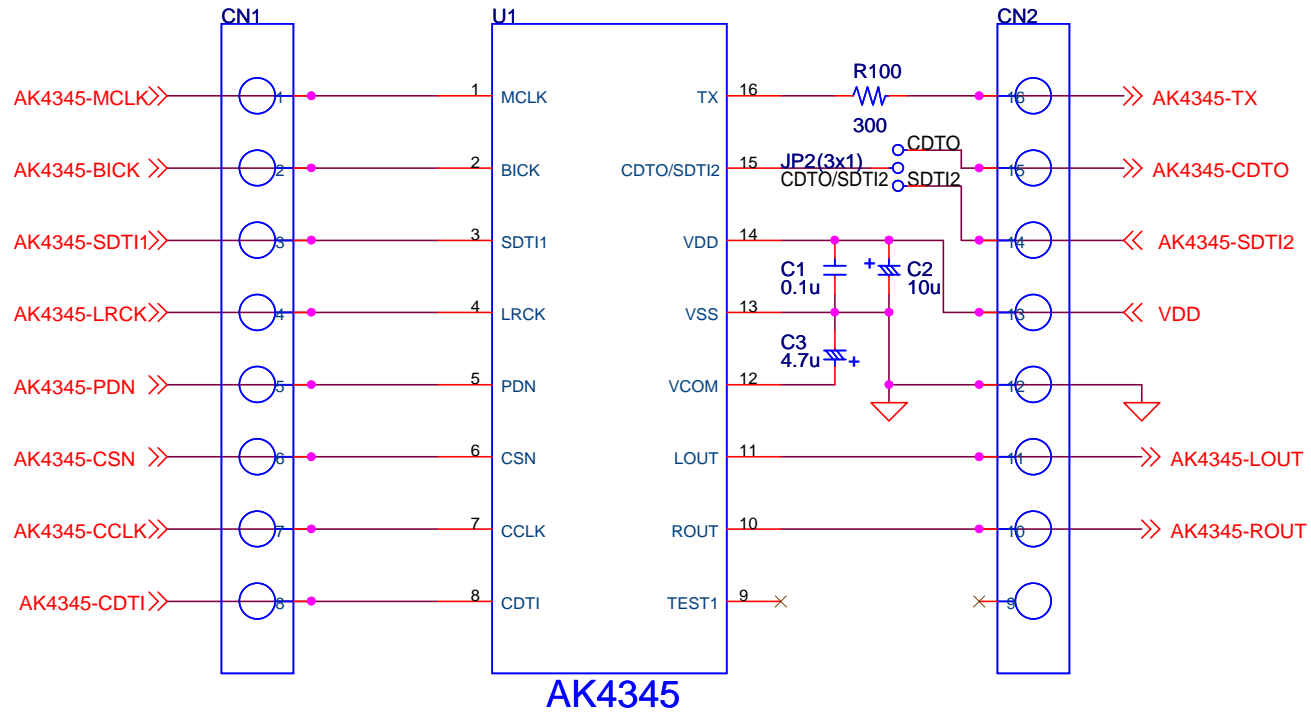
Figure 18. FFT Plot (out-of-band-noise)

Revision History

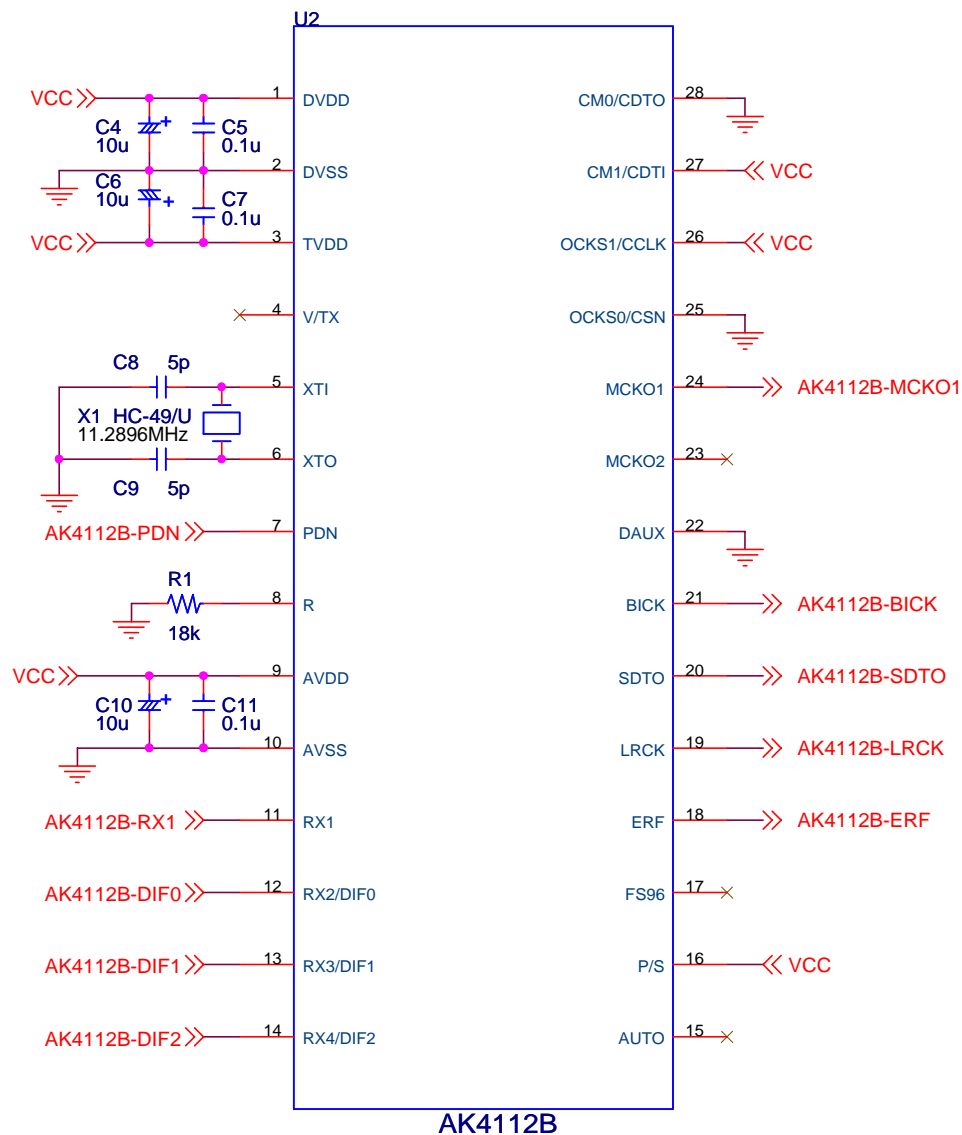
Date (yy/mm/dd)	Manual Revision	Board Revision	Reason	Contents
07/03/15	KM087800	0	First Edition	
07/04/17	KM087801	1	Circuit Change	Change U1 (AK4345): 28pin SOP → 16pin TSSOP Remove jumper pins: JP1 (TX), JP3 (TEST1). Add resistance: R100 (300) to TX. TEST1 is open.
			Change	P3. Remove description: (7) JP1 (TX), (8) JP3 (TEST1).
07/07/02	KM087802	2	Circuit Change	Capacitor between VCOM and VSS: C3: Change: 10uF→4.7uF Add capacitor C100: 1nF between J3 (LOUT) and GND. Add capacitor C101: 1nF between J4 (ROUT) and GND.
			Add	Add measurement results

————— IMPORTANT NOTICE —————

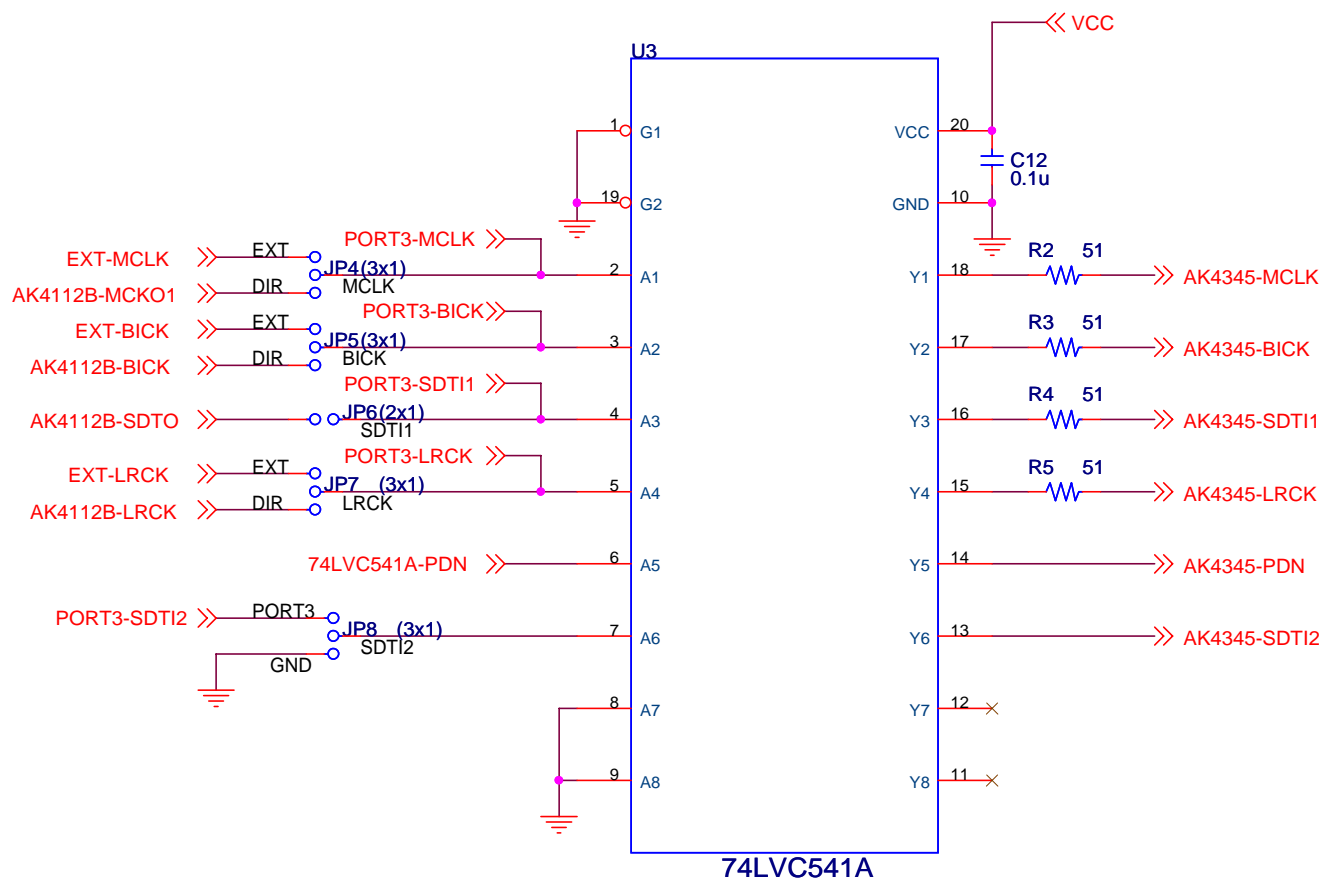
- These products and their specifications are subject to change without notice.
When you consider any use or application of these products, please make inquiries the sales office of Asahi Kasei EMD Corporation (AKEMD) or authorized distributors as to current status of the products.
- AKEMD assumes no liability for infringement of any patent, intellectual property, or other rights in the application or use of any information contained herein.
- Any export of these products, or devices or systems containing them, may require an export license or other official approval under the law and regulations of the country of export pertaining to customs and tariffs, currency exchange, or strategic materials.
- AKEMD products are neither intended nor authorized for use as critical components^{Note1)} in any safety, life support, or other hazard related device or system^{Note2)}, and AKEMD assumes no responsibility for such use, except for the use approved with the express written consent by Representative Director of AKEMD. As used here:
 - Note1) A critical component is one whose failure to function or perform may reasonably be expected to result, whether directly or indirectly, in the loss of the safety or effectiveness of the device or system containing it, and which must therefore meet very high standards of performance and reliability.
 - Note2) A hazard related device or system is one designed or intended for life support or maintenance of safety or for applications in medicine, aerospace, nuclear energy, or other fields, in which its failure to function or perform may reasonably be expected to result in loss of life or in significant injury or damage to person or property.
- It is the responsibility of the buyer or distributor of AKEMD products, who distributes, disposes of, or otherwise places the product with a third party, to notify such third party in advance of the above content and conditions, and the buyer or distributor agrees to assume any and all responsibility and liability for and hold AKEMD harmless from any and all claims arising from the use of said product in the absence of such notification.



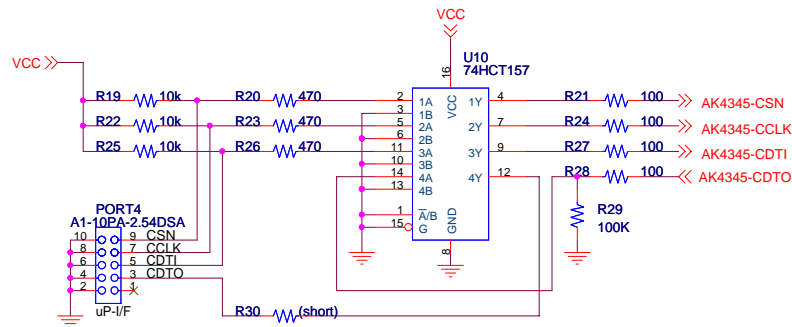
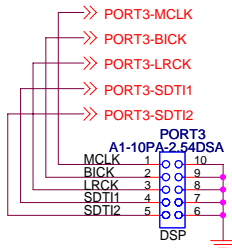
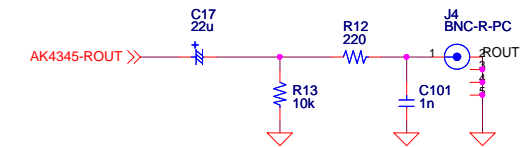
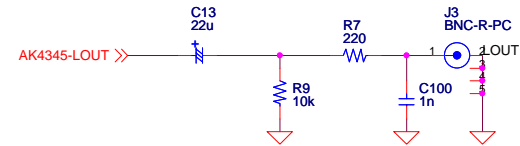
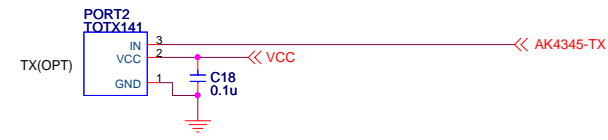
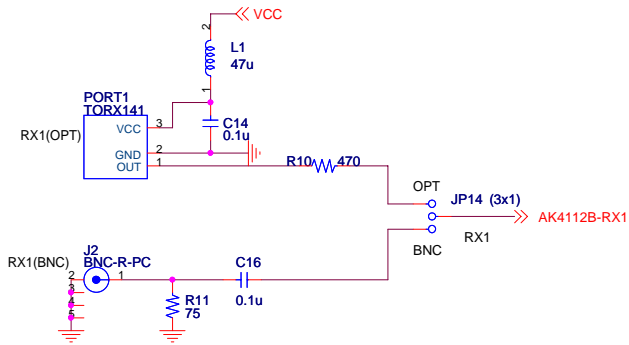
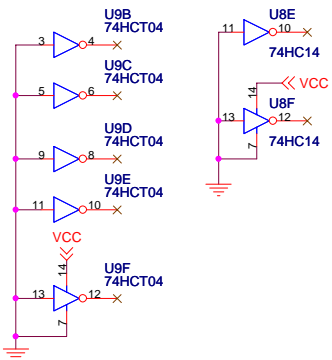
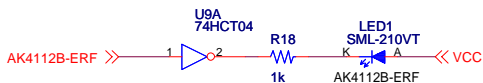
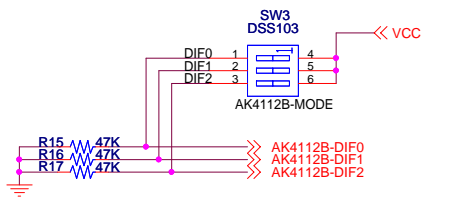
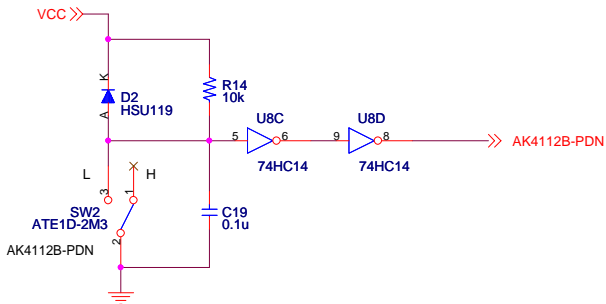
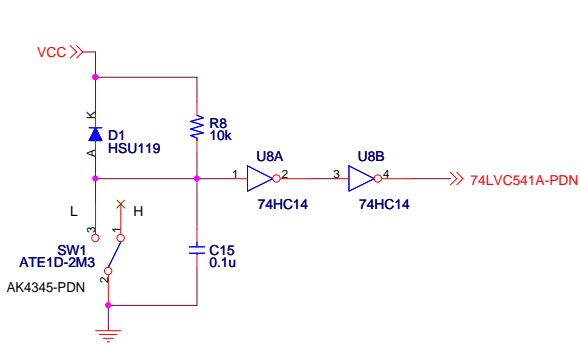
Title			AKD4345-A		
Size	Document Number				Rev
A4	AK4345				2
Date:	Tuesday, June 12, 2007		Sheet	1	of 6



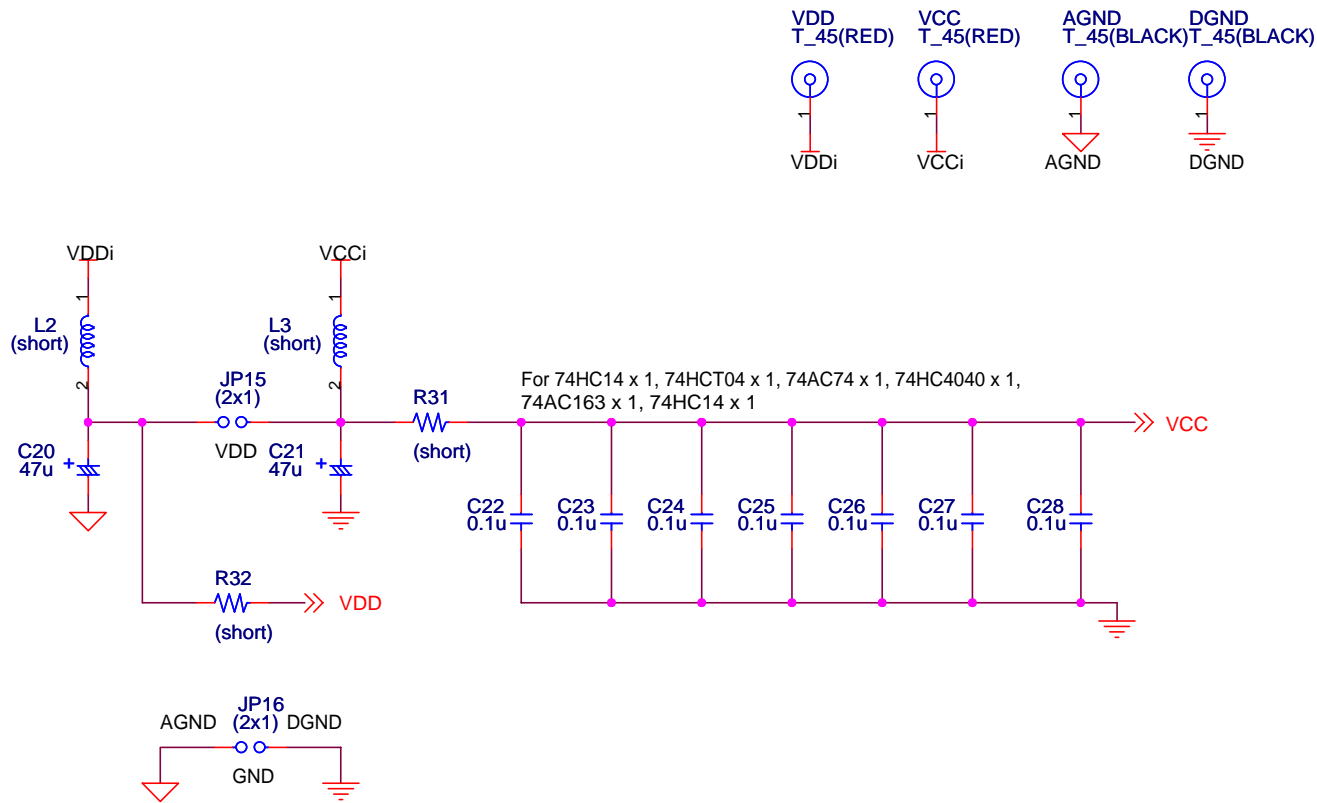
Title			AKD4345-A		
Size	Document Number		AK4112B		Rev
A4					2
Date:	Thursday, May 31, 2007		Sheet	2	of 6



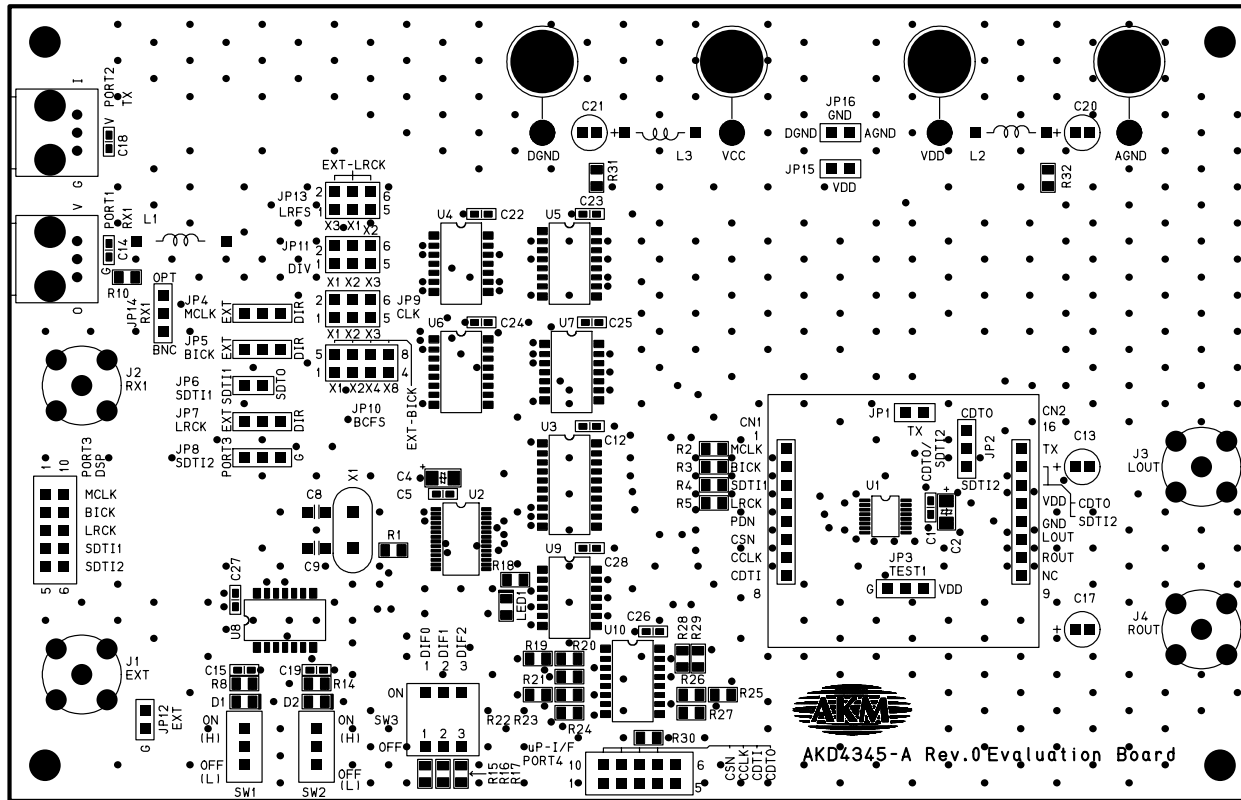
Title			AKD4345-A		
Size	Document Number	74LVC541A			Rev
A4					2
Date:	Thursday, May 31, 2007	Sheet	3	of	6



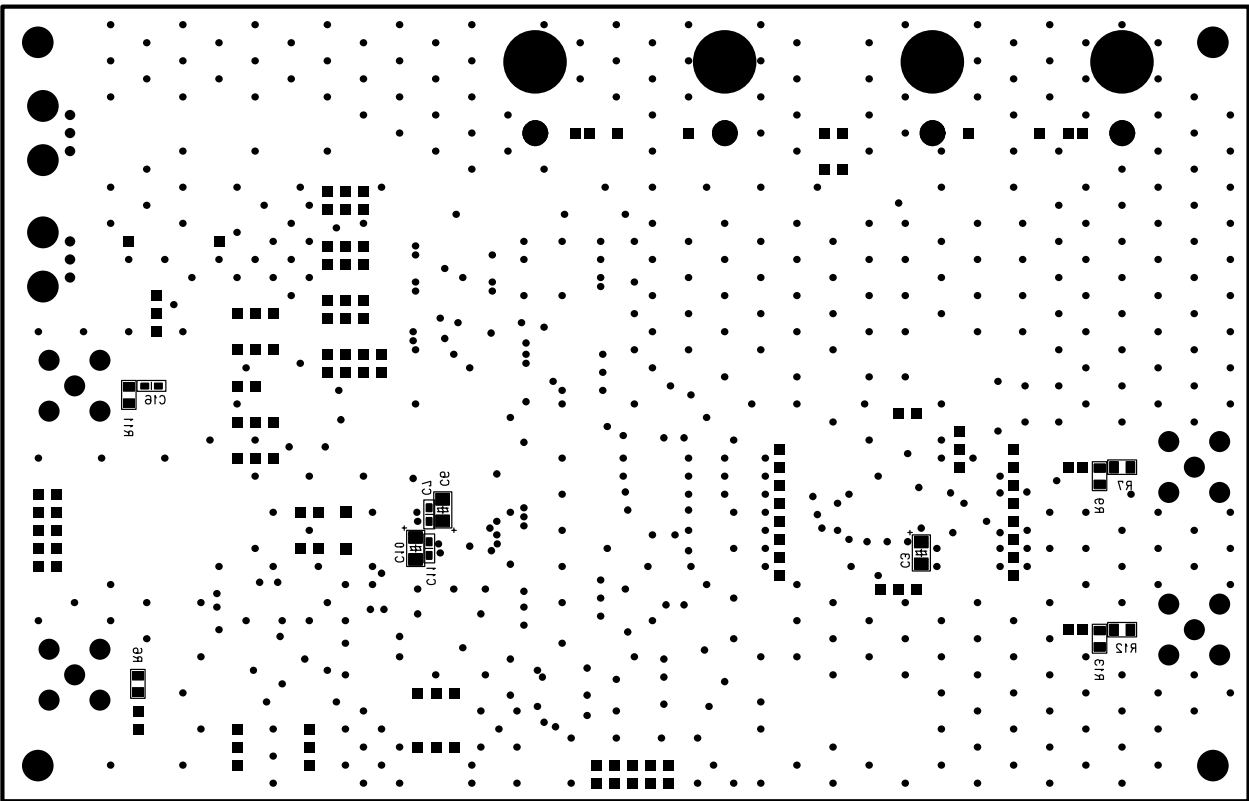
Title			AKD4345-A
Size	Document Number	Rev	
A3		2	
Date:	Tuesday, June 12, 2007	Sheet	5 of 6



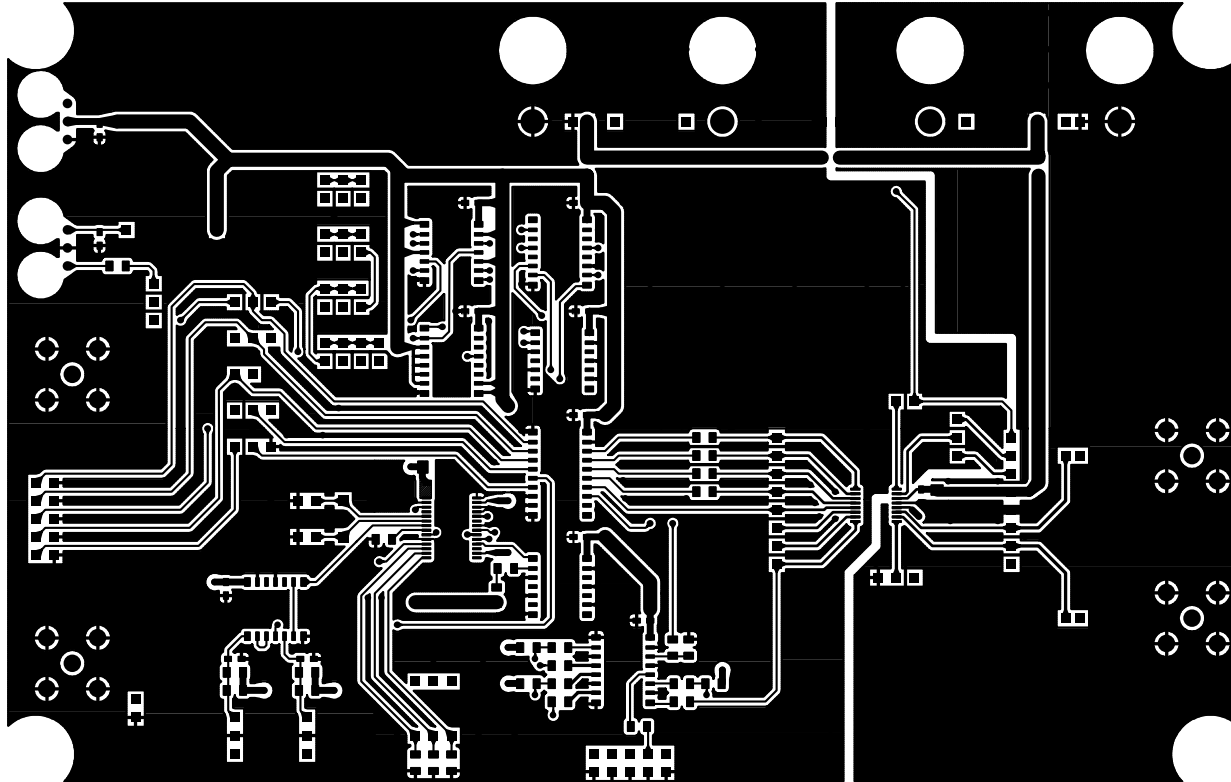
Title			AKD4345-A		
Size	Document Number	Power Supply			Rev
A4					2
Date:		Thursday, May 31, 2007	Sheet	6	of 6



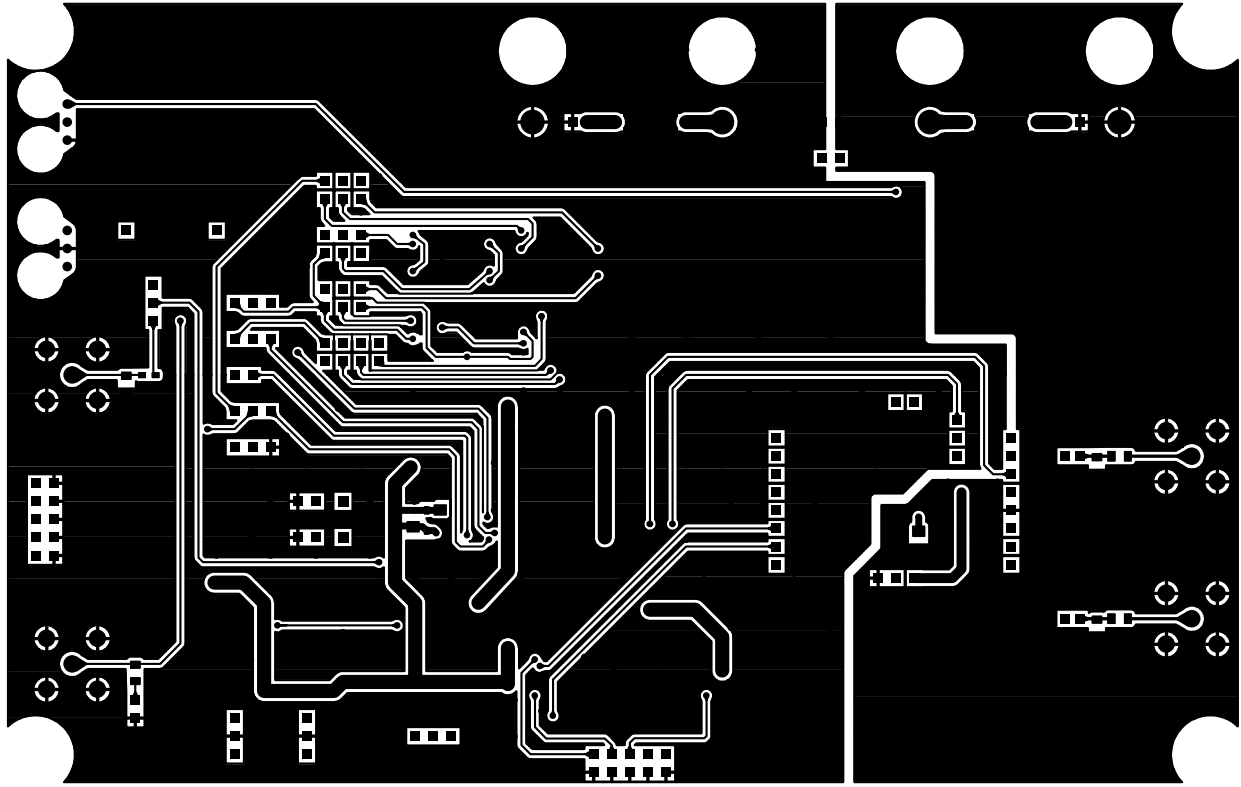
AKD4345-A L1 SILK



KDD342-A L3 21LK



AKD4345-A L1



AKD342-A L3