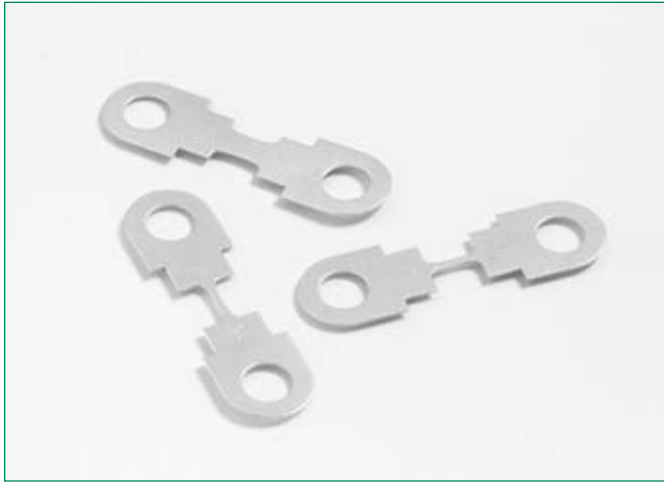


HSB Fuse Rated 32V

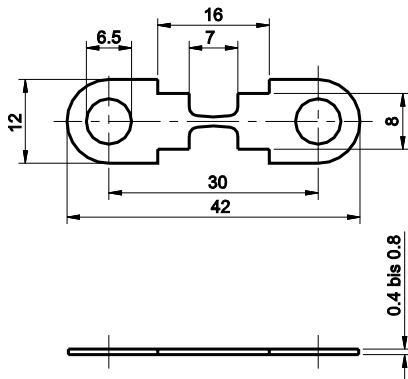
RoHS



Non-housed fuse strips for rated voltage up to 32 VDC. Current rating 35 A -175 A. Ring type lugs.

Sicherungsstreifen ohne Gehäuse für Nennspannungen bis 32 VDC. Nennstrom 35 A bis 175 A. Anschlüsse mit Bohrung.

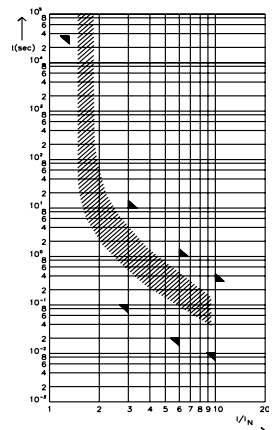
Dimensions in mm / Maße in mm



Specifications

- Material:** Zinc-alloy
- Connections:** Zinc-alloy
2 x M6 bolts, distance 30 mm
- Starting torque:** 4 Nm +/- 1 Nm

Pre-arcing Time - limits / Schmelzeit-Grenzwerte DIN



FI = 1.00 (max. operating current: 1.0 x I_{rat} at 23°C)

Time-Current Characteristics / Schmelzeit-Grenzwerte

% of Rating % des Nennstromes	Opening Time Min / Max (s) Schmelzcharakteristik Min / Max (s)
100	∞ / -
125	100 h / -
300	100 ms / 10 s
600	20 ms / 1 s
1000	10 ms / 300 ms

Part Number Artikel-Nr.	Current Rating Nennstrom	Typ. Voltage Drop Typ. Spannungsfall	Cold Resistance Kaltwiderstand	I²t
156.5677.530_	30 A	44mV	1.33 mΩ	30-3800 A²s
156.5677.540_	40 A	40mV	0.89 mΩ	40-11200 A²s
156.5677.550_	50 A	44mV	0.72 mΩ	50-21300 A²s
156.5677.560_	60 A	38mV	0.58 mΩ	60-41400 A²s
156.5677.580_	80 A	40mV	0.43 mΩ	80-44800 A²s
156.5677.611_	110 A	40mV	0.31 mΩ	110-13900 A²s
156.5677.615_	150 A	52mV	0.23 mΩ	150-465000 A²s
156.5677.617_	175 A	46mV	0.22 mΩ	175-560000 A²s

Last figure of part number = packaging code, see Section "Packaging Index," pg. 157.
Corresponding holder see Section "Fuse Holders."