



QESM012

SMD 7.0x5.0 Crystal – Ceramic SMD 2 pads packaged
Specification (Rev-A)

▣ Electrical Characteristics	P01
▣ ESR vs. frequency range and Mode of vibration	P01
▣ Mechanical Characteristics	P01
▣ Ordering Information	P02
▣ Suggested Reflow Soldering profile	P02
▣ Tape Drawing.....	P03
▣ Reel Drawing	P03

QESM012

SMD 7.0x5.0 Crystal – Ceramic SMD 2 pads packaged
Specification (rev-A)

July 05st, 2006

Electrical Characteristics

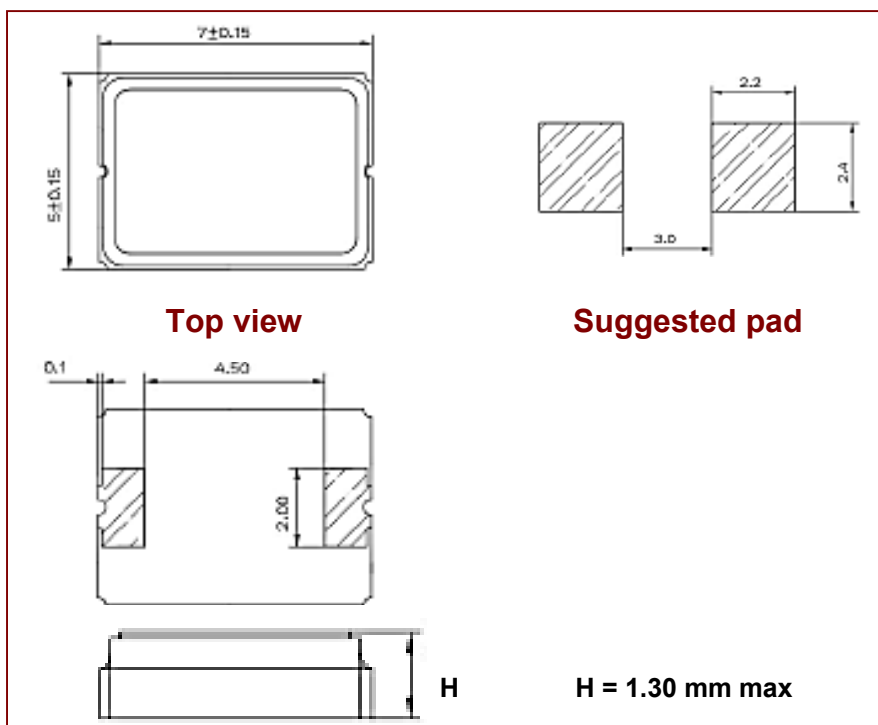
Electrical Parameters	Unit	Minimum	Typical	Maximum	Test conditions
Frequency range	MHz	6		100	
Frequency Tolerance (at 25°C)	± ppm	10	30	50	Refer to Ordering Information
Temperature Stability	± ppm	10	30	50	Refer to Ordering Information
Operating Temperature Range	°C		-20/+70	-40/+85	Refer to Ordering Information
Storage temperature range	°C	-40		+85	
Shunt capacitance C ₀	pF			7.0	
Load capacitance	pF	10pF ~ 32pF or series			Refer to Ordering Information
Drive level	µW	10	100	300	
Aging (First Year)	± ppm			5	Ref at 25°C
Insulator resistance	MΩ	500			At 100V _{DC}

Customized specification upon request

ESR vs. frequency range and Mode of vibration

Frequency range (MHz)	Mode of vibration	Max ESR (Ω)	Frequency range (MHz)	Mode of vibration	Max ESR (Ω)
6.000 to 9.999	Fund. / AT	100	20.000 to 35.000	Fund. / BT	40
10.000 to 13.999	Fund. / AT	50	35.000 to 39.999	3 rd / AT	100
14.000 to 19.999	Fund. / AT	40	40.000 to 100.000	3 rd / AT	80

Mechanical Characteristics



Marking for QESM06	
Line 1	Manuf code +Temex code (6 digits)
Line 2	Frequency in MHz (6digits)

Mechanical conditions	
Vibration	10g, 10Hz to 2KHz according to standard CEI 68-2-63
Shocks	100g, 6ms according to standard CEI 68-2-27

Note 1 : QESM012 is fully RoHS compliant.

QESM012

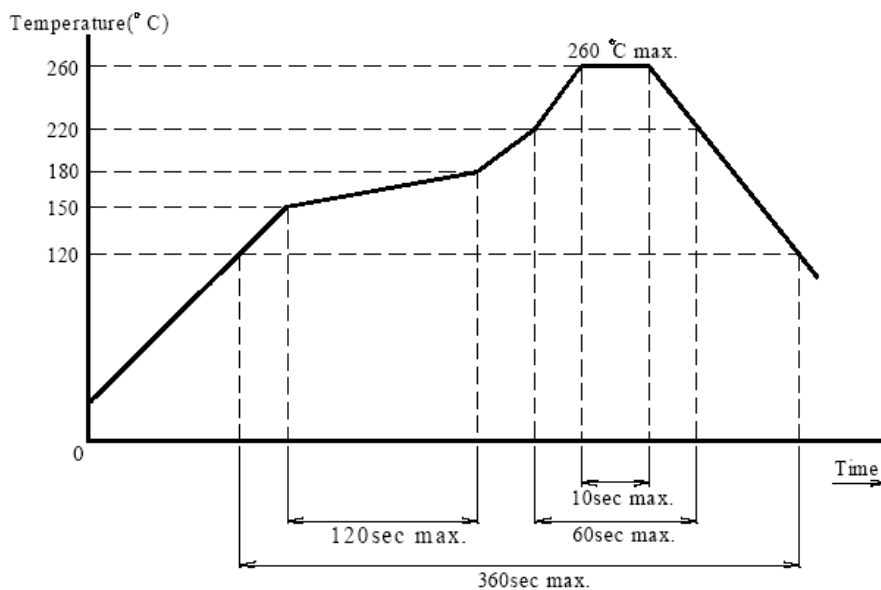
SMD 7.0x5.0 Crystal – Ceramic SMD 2 pads packaged
 Specification (rev-A)

July 05st, 2006

Ordering Information

Part numbering system						
QESM012	1	30	HQ	50	20	14.7456MHZ
Package type	Vibration mode	Frequency tolerance	Operating temperature range	Frequency stability	Load Capacitance	Nominal Frequency (MHz)
SMD Package QESM012 : SMD ceramic 7.0 x 5.0 2 pads	1=Fundamental 3=3 rd overtone	10=±10ppm 20=±20ppm 30=±30ppm 50=±50ppm	D=-40°C F=-30°C H=-20°C J=-10°C L=0°C M=+50°C N=+55°C O=+60°C Q=+70°C T=+85°C	10=±10ppm 20=±20ppm 30=±30ppm 50=±50ppm	00=series 10=10pF 30=30pF Please, enter the value of load capacitance	Please enter the nominal frequency

Suggested Reflow Soldering Profile

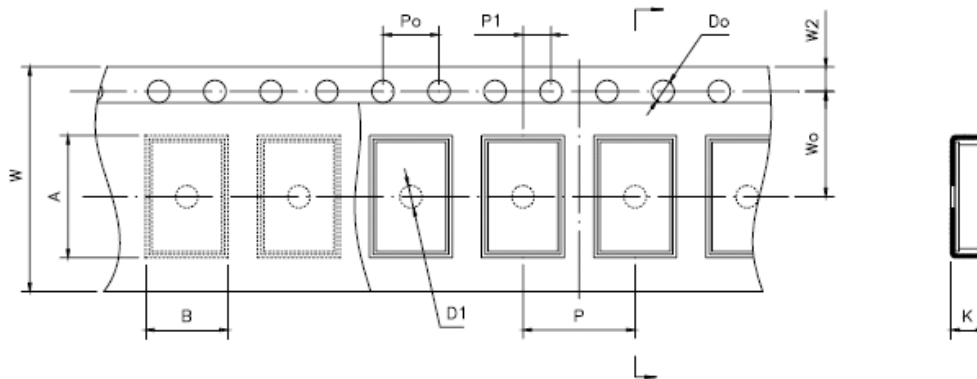


QESM012

SMD 7.0x5.0 Crystal – Ceramic SMD 2 pads packaged
Specification (rev-A)

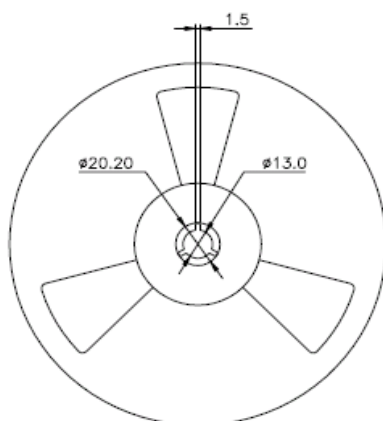
July 05st, 2006

▣ Tape Drawing



	Code	Dimension	Tolerance
Pitch of components	P	8.0	± 0.1
Pitch of sprocket hole	Po	4.0	± 0.1
Length from hole center to component center	P1	2.0	± 0.1
Width of carrier tape	W	16.0	+0.3/-0.1
Width of adhesive tape	W0	7.5	± 0.1
Height of component hole	A	8.18	± 0.1
Width of component hole	B	5.56	± 0.1
Gap of hold down tape and carrier tape	W2	1.75	± 0.1
Diameter of sprocket hole	Do	∅ 1.5	± 0.05
Diameter of feed hole	D1	∅ 1.5	± 0.25
Total of tape thickness	K	2.16	± 0.1

▣ Reel Drawing



Multiple : 1Kpcs per Reel

Unit : mm

