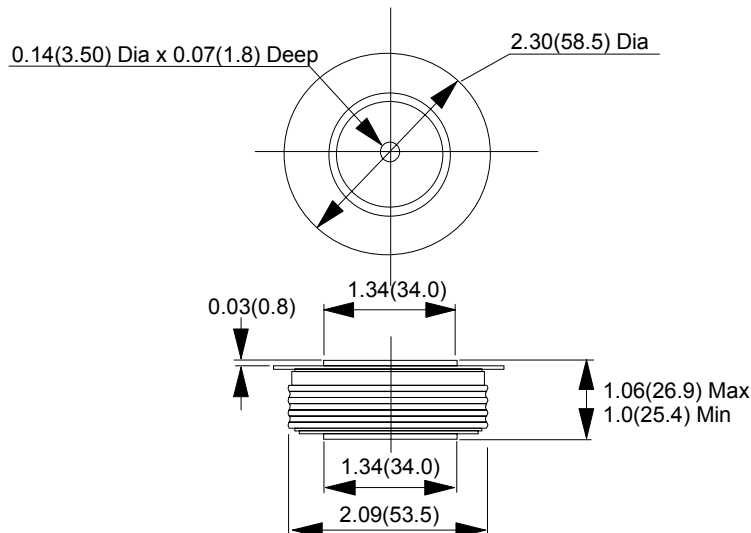


Case: B-Puk

MAXIMUM RATINGS (T <sub>j</sub> = 25 °C unless stated otherwise)						
Parameter	Symbol	SD700C 30L	SD700C 36L	SD700C 40L	SD700C 45L	Unit
Repetitive Peak Reverse Voltage	V <sub>RRM</sub>	3000	3600	4000	4500	Volt
Maximum Average On-State Current	I <sub>F(AV)</sub>	700 at TC=55°C				Amp
Peak Forward Surge Current	I <sub>FSM</sub>	7850				Amp
Maximum I <sup>2</sup> T for Fusing	I <sup>2</sup> T	257				A <sup>2</sup> /S
Maximum Storage Temperature Range	T <sub>(STG)</sub>	-55 to +200				°C
Maximum Junction Temperature Range	T <sub>j</sub>	-40 to +150				°C

ELECTRICAL CHARACTERISTICS at 25 °C Maximum Unless Stated				Value			Unit
Parameter	Symbol	Condition	Min	Typ	Max		
Maximum Forward Voltage	V <sub>FM</sub>	I <sub>pk</sub> = 1000 Amps			1.66	Volt	
Repetitive Peak Off- State Current at TC=175°C	I <sub>RRM</sub>	V <sub>R</sub> = V <sub>RRM</sub>			50.0	mA	
Thermal Resistance (Junction toHeatsink)	R <sub>TH (J-h)</sub>				0.11	°C/W	
Mounting Torque	M <sub>T</sub>				9800	NM	
Weight	Wt				250	grms	

### Mechanical Dimensions



All Dimensions in Inches (Millimeters)  
 Third Angle Projection