

TMX W346

SAW Bandpass Filter – Satellite Receiver – IF
Specification (Rev 1)

▣ Features.....	P01
▣ Package Drawing & Pin out.....	P01
▣ Technical Characteristics	P02
▣ Matching Network.....	P02
▣ Nominal Response.....	P03
▣ Maximum Ratings.....	P04
▣ Marking & Packaging	P04


TMX W346

SAW Bandpass Filter – Satellite Receiver – IF

Specification (Rev 1)

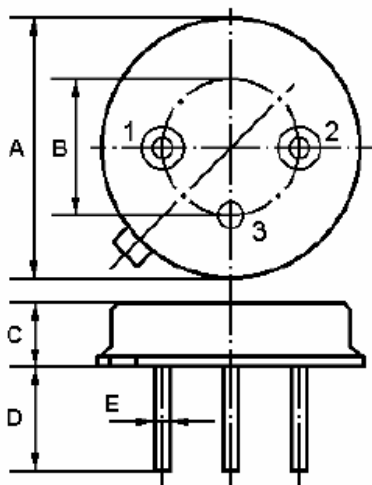
September 05th, 2005

Features

- IF Filter
- Constant Group Delay
- 8 MHz useable Passband
- 50 W Single Configuration
- TO39 Package
- 

Package Drawing & Pin out

The product is in conformance with the European RoHs Regulation 2002/95.



Dimensions (unit: mm)

A	9.35±0.1
B	5.08±0.1
C	3.40±0.1
D	3.00±0.2
E	? 0.45±0.2

Pin Configuration

Input	1 or 2
Output	2 or 1
Case ground	3

TMX W346

SAW Bandpass Filter – Satellite Receiver – IF

Specification (Rev 1)

September 05th, 2005

Technical Characteristics

Reference Temperature : +25°C

Electrical Parameters	Unit	Minimum	Typical ⁽¹⁾	Maximum
Source Impedance (single)	Ω	-	50 ⁽²⁾	-
Load Impedance (single)	Ω	-	50 ⁽²⁾	-
Center Frequency f_0	MHz	478.5	479.5	480.5
Bandwidth at -3 dB	MHz	-	8	-
Relative attenuation				
At 475.5 MHz	dB	-	3.0	5.4
At 483.5 MHz	dB	-	2.6	5.3
From 409.5 MHz to 464.5 MHz	dB	37	45	-
From 491 MHz to 498.5 MHz	dB	34	41	-
From 498.5 MHz to 549.5 MHz	dB	38	47	-
Insertion Loss at 479.5 MHz	dB	-	21.5	23.5
Amplitude Ripple in $f_0 \pm 2.0$ MHz ⁽³⁾	dB _{p-p}	-	0.7	1.2
Group Delay Ripple in $f_0 \pm 4.0$ MHz	ns _{p-p}	-	13	18
Reflected Wave Signal Suppression 0.19μs...2.0μs after main pulse	dB	40	46	-
Temperature coefficient of frequency	ppm/K	-	-86	-

Notes :

- (1) Typical values are nominal performances at room temperature.
- (2) No external matching network is required.
- (3) The amplitude variation is defined as the maximum level – minimum level over the given bandwidth.

TMX W346

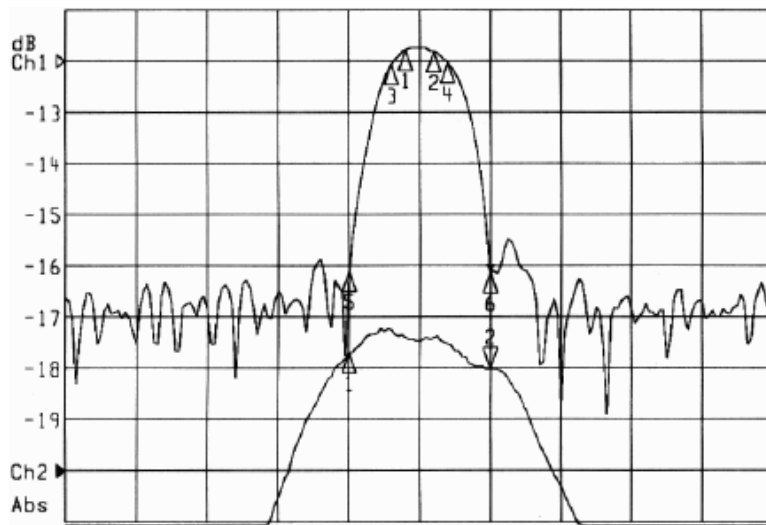
SAW Bandpass Filter – Satellite Receiver – IF

Specification (Rev 1)

September 05th, 2005

Nominal Frequency Response (Measurements)

Frequency Response
(10 MHz/div & 10 dB/div - 2 MHz/div & 1 dB/div)



TMX W346

SAW Bandpass Filter – Satellite Receiver – IF

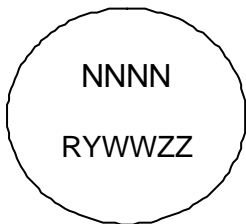
Specification (Rev 1)

September 05th, 2005

Maximum Ratings

Operating Temperature Range	°C	[-25°C ; +85°C]
Storage Temperature Range	°C	[-40°C ; +85°C]
DC voltage between any two pins	V	0
AC voltage between any two pins	V	5

Marking



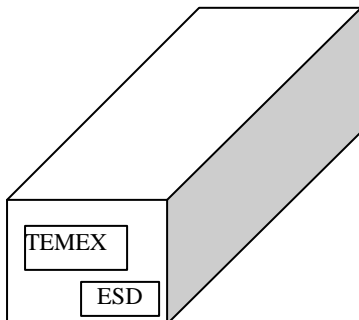
"NNNN" is the reference to Temex Part number

"RYWWZZ" is the date code as :

- R : supplier identifier
- Y : last digit of the year
- WW : number of week in the year
- ZZ : Lot number in the week

Packaging

The filters are placed in tube (50 filters per tube). Those tubes are grouped in order to make 500 parts block. Orientation is homogenous in a group of 500 parts.



The outside box is used (see picture above) for the shipment.