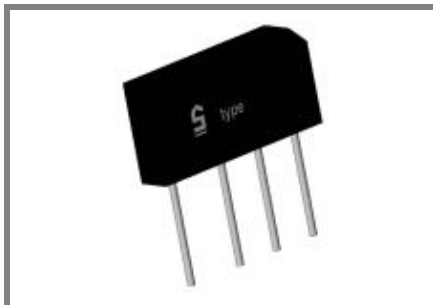


# B ...C3700-2200



Inline bridge

Type	Alternating Input voltage $V_{VRMS}$ V	Repetitive peak reverse voltage $V_{RRM}$ V	Max. admissible load capacitor $C_L$ $\mu F$	Min. required protective resistor $R_t$ $\Omega$
B40 C3700-2200	40	80	5000	0,5
B80 C3700-2200	80	160	2500	1
B125 C3700-2200	125	250	1500	2
B250 C3700-2200	250	600	800	4
B380 C3700-2200	380	800	600	5
B500 C3700-2200	500	1000	400	6,5

## Silicon-Bridge Rectifiers

### B ...C3700-2200

Forward Current: 3,7 / 2,2 A

Reverse Voltage: 80 to 1000 V

Publish Data

### Features

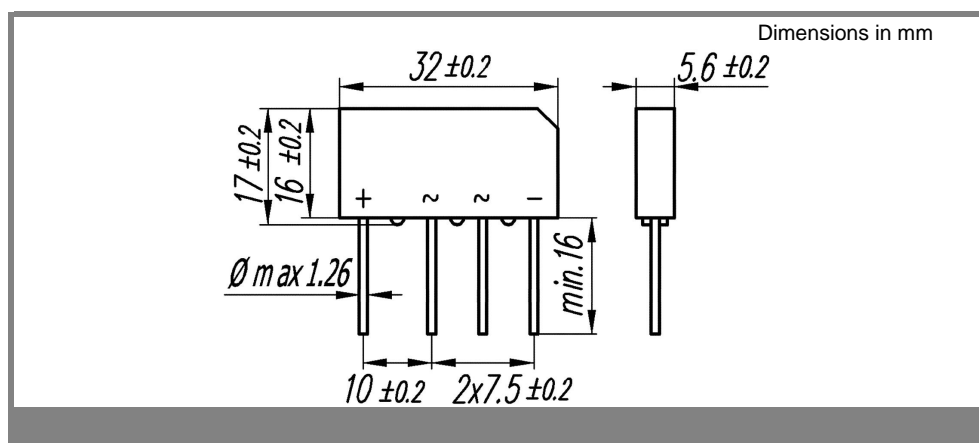
- max. solder temperature 260°C, max. 5s
- UL recognized, file no. E63532
- Standard packaging: bulk

### Mechanical Data

- Plastic case 32 \* 5,6 \* 17 [mm]
- Weight approx. 7g
- Terminals: plated terminals solderable per IEC 68-2-20
- Mounting position : any
- Marking : Type number

Absolute Maximum Ratings		$T_c = 25^\circ C$ unless otherwise specified	
Symbol	Conditions	Values	Units
$I^2t$	Rating for fusing, $t < 10$ ms	110	A <sup>2</sup> s
$I_{FRM}$	Repetitive peak forward current > 15 Hz	30	A
$I_{FSM}$	Peak forward surge current, 50 Hz half sine-wave	150	A
$t_{rr}$	Reverse recovery time ( $I_F = A$ )	/	ns
$I_{FAV}$	Max. averaged fwd. current, R-load, $T_A = 50^\circ C$ <sup>1)</sup>	2,7	A
$I_{FAV}$	Max. averaged fwd. current, C-load, $T_A = 50^\circ C$ <sup>1)</sup>	2,2	A
$I_{FAV}$	Max. current with cooling fin, R-load, $T_c = 100^\circ C$ <sup>2)</sup>	4,8	A
$I_{FAV}$	Max. current with cooling fin, C-load, $T_c = 100^\circ C$ <sup>2)</sup>	3,7	A
$R_{thA}$	Thermal resistance junction to ambient <sup>1)</sup>	25	K/W
$R_{thC}$	Thermal resistance junction to case <sup>1)</sup>		K/W
$T_j$	Operating junction temperature	- 50 ... + 150	°C
$T_s$	Storage temperature	- 50 ... + 150	°C

Characteristics		$T_c = 25^\circ C$ unless otherwise specified	
Symbol	Conditions	Values	Units
$V_F$	Maximum forward voltage, $T_j = 25^\circ C$ , $I_F = 3,7$ A	1,1	V
$I_R$	Maximum leakage current, $T_j = 25^\circ C$ , $V_R = V_{RRM}$	10	$\mu A$
$C_j$	Typical junction capacitance per leg at V, MHz		pF



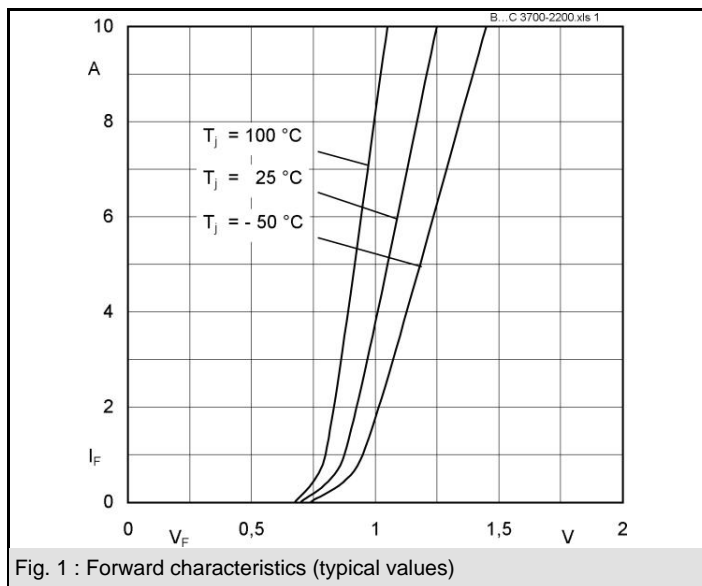


Fig. 1 : Forward characteristics (typical values)

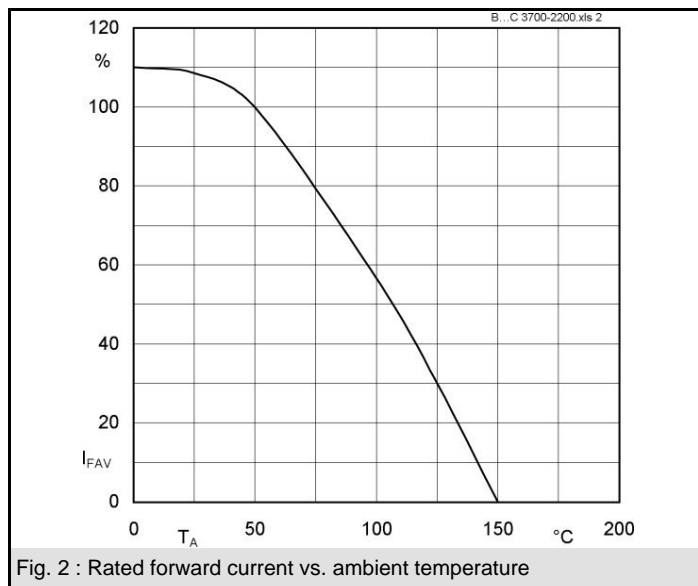


Fig. 2 : Rated forward current vs. ambient temperature