

# DATA SHEET

## LQSD103A~LQSD103C

### SMALL SIGNAL SCHOTTKY BARRIES SWITCHING DIODES

**VOLTAGE** 20 to 40 Volts **CURRENT** 0.35 Amperes

**QUADRO-MELF**

Unit : inch (mm)

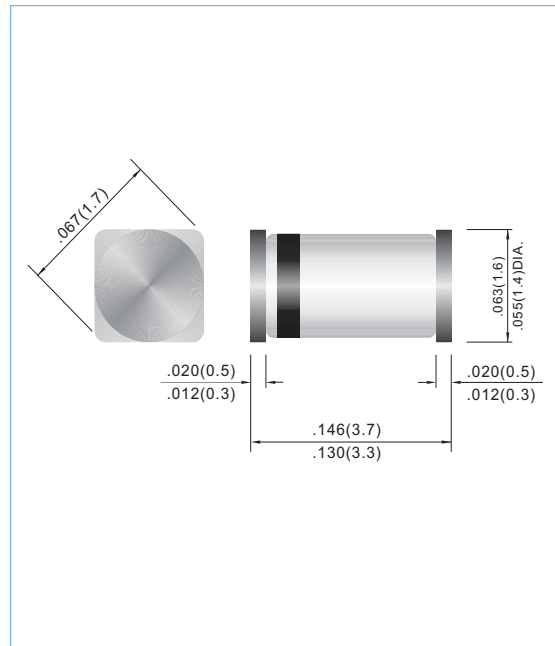
#### FEATURES

- Low Forward Voltage Drop
- Guard Ring Construction for Transient Protection
- Low Reverse Recovery Time
- Low Reverse Capacitance
- Both normal and Pb free product are available :  
Normal : 80~95% Sn, 5~20% Pb  
Pb free: 98.5% Sn above

#### MECHANICAL DATA

- Case: Molded Quadro Melf, Glass
- Terminals: Solderable per MIL-STD-202E, Method 208
- Polarity: See Diagram Below
- Approx. Weight: 0.03 grams
- Mounting Position: Any
- Packing information

T/R - 2.5K per 7" plastic Reel



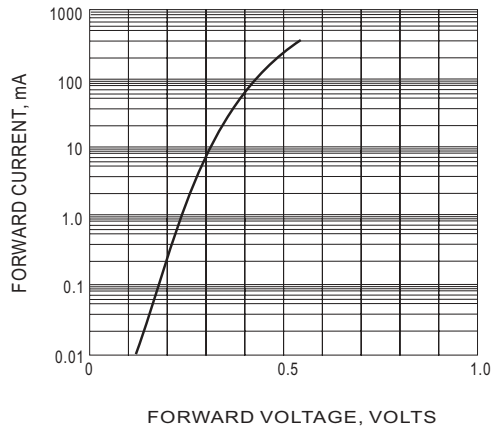
### MAXIMUM RATINGS AND ELECTRICAL CHARACTERISTICS (T<sub>J</sub>=25°C unless otherwise noted)

PARAMETER	SYMBOL	LQSD103A	LQSD103B	LQSD103C	UNITS
Peak Repetitive Reverse Voltage	V <sub>RRM</sub>	40	30	20	V
RMS Reverse Voltage	V <sub>RMS</sub>	28	21	14	V
Max. Average Rectified Current	I <sub>O</sub>	350			mA
Peak Forward Surge Current, t ≤ 0.3ms	I <sub>FSM</sub>	15			A
Power Dissipation Derate Above 25°C	P <sub>D</sub>	400			mW
Maximum Forward Voltage, I <sub>F</sub> = 20mA I <sub>F</sub> = 200mA	V <sub>F</sub>	0.37 0.60			V
Maximum Reverse Current	I <sub>R</sub>	5 @ 30V	5 @ 20V	5 @ 10V	uA
Typical Junction Capacitance( Note 1)	C <sub>J</sub>	50			pF
Typical Reverse Recovery (Note 2)	T <sub>RR</sub>	10			ns
Maximum Thermal Resistance	R <sub>θJA</sub>	250			°C / W
Storage Temperature Range	T <sub>STG</sub>	-65 TO +175			°C

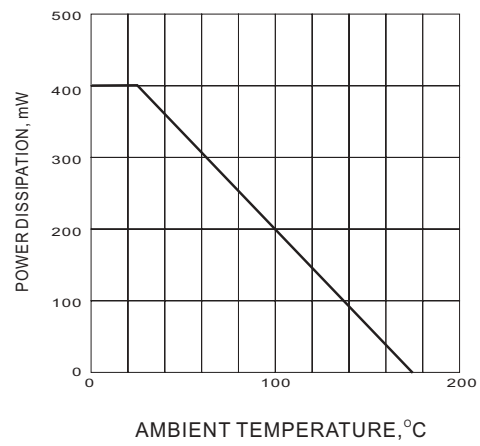
NOTE:

1. C<sub>J</sub> at V<sub>R</sub>=0, f=1MHZ
2. From I<sub>F</sub>=50mA to I<sub>R</sub>=200mA, R<sub>L</sub>=100Ω

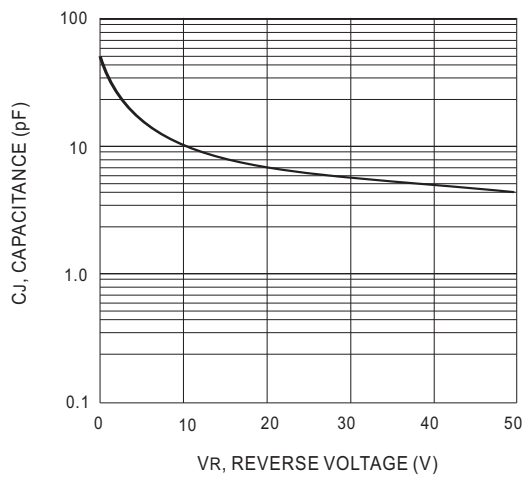
**RATING AND CHARACTERISTIC CURVES**



**Fig.1 FORWARD CHARACTERISTICS**



**Fig.2- POWER DISSIPATION DERATING CURVE**



**Fig.3 TYPICAL CAPACITANCE vs REVERSE VOLTAGE**