

**Legacy Device:** *Motorola MC12040*

The ML12040 is a phase-frequency detector intended for use in systems requiring zero phase and frequency difference at lock. In combination with a voltage controlled oscillator (such as the ML12149), it is useful in a broad range of phase-locked loop applications.

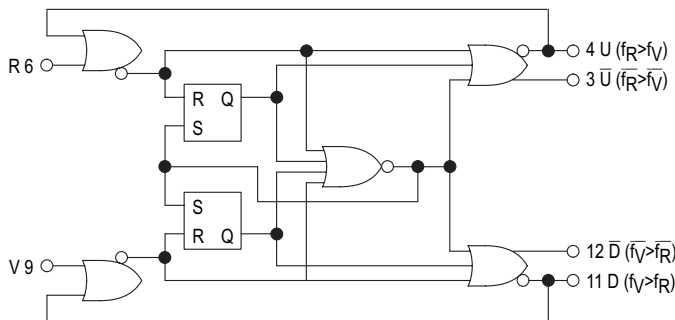
- Operating Frequency = 80 MHz Typical
- Operating Temperature Range  $T_A = 0^\circ$  to  $75^\circ\text{C}$

**Pin Conversion Table**

14 Pin DIP	1	2	3	4	5	6	7	8	9	10	11	12	13	14
20 Pin PLCC	2	3	4	6	8	9	10	12	13	14	16	18	19	20

Inputs		Outputs			
R	V	U	D	$\bar{U}$	$\bar{D}$
0	0	X	X	X	X
0	1	X	X	X	X
1	1	X	X	X	X
0	1	X	X	X	X
1	1	1	0	0	1
0	1	1	0	0	1
1	1	1	0	0	1
1	0	1	0	0	1
1	1	0	0	1	1
1	0	0	0	1	1
1	1	0	1	1	0
1	0	0	1	1	0
1	1	0	0	1	1
0	1	0	1	1	0
1	1	0	0	1	1

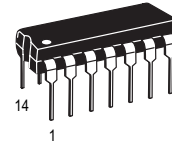
**LOGIC DIAGRAM**



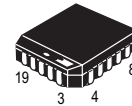
$V_{CC1}$  = Pin 1  
 $V_{CC2}$  = Pin 14  
 $V_{EE}$  = Pin 7

**TRUTH TABLE**

This is not strictly a functional truth table; i.e., it does not cover all possible modes of operation. However, it gives a sufficient number of tests to ensure that the device will function properly in all modes of operation.



**P DIP 14 = CP**  
 PLASTIC PACKAGE  
 CASE 646



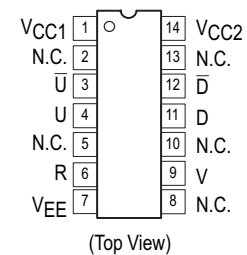
**PLCC 20 = -4P**  
 PLASTIC PACKAGE  
 CASE 775

**CROSS REFERENCE/ORDERING INFORMATION**

PACKAGE	MOTOROLA	LANSDALE
P DIP 14	MC12040P	ML12040CP
PLCC 20	MC12040FN	ML12040-4P

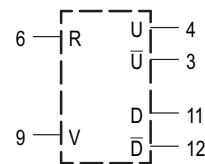
**Note:** Lansdale lead free (Pb) product, as it becomes available, will be identified by a part number prefix change from **ML** to **MLE**.

**PIN CONNECTIONS**



**ELECTRICAL CHARACTERISTICS**

The ML12040 has been designed to meet the DC specifications shown in the test table after thermal equilibrium has been established. Outputs are terminated through a 50 Ω resistor to 3.0 V for 5.0 V tests and through a 50 Ω resistor to -2.0 V for -5.2 V tests.



**NOTE:** For more information on using an ECL device in a 5.0 V system, refer to Application Note AN1406/D, “Designing with PECL (ECL at 5.0 V)”

		TEST VOLTAGE VALUES				
		(Volts)				
@ Test Temperature		V <sub>IHmax</sub>	V <sub>ILmin</sub>	V <sub>IHAmin</sub>	V <sub>ILAmax</sub>	V <sub>EE</sub>
0°C		-0.840	-1.870	-1.145	-1.490	-5.2
25°C		-0.810	-1.850	-1.105	-1.475	-5.2
75°C		-0.720	-1.830	-1.045	-1.450	-5.2

Supply Voltage = -5.2V

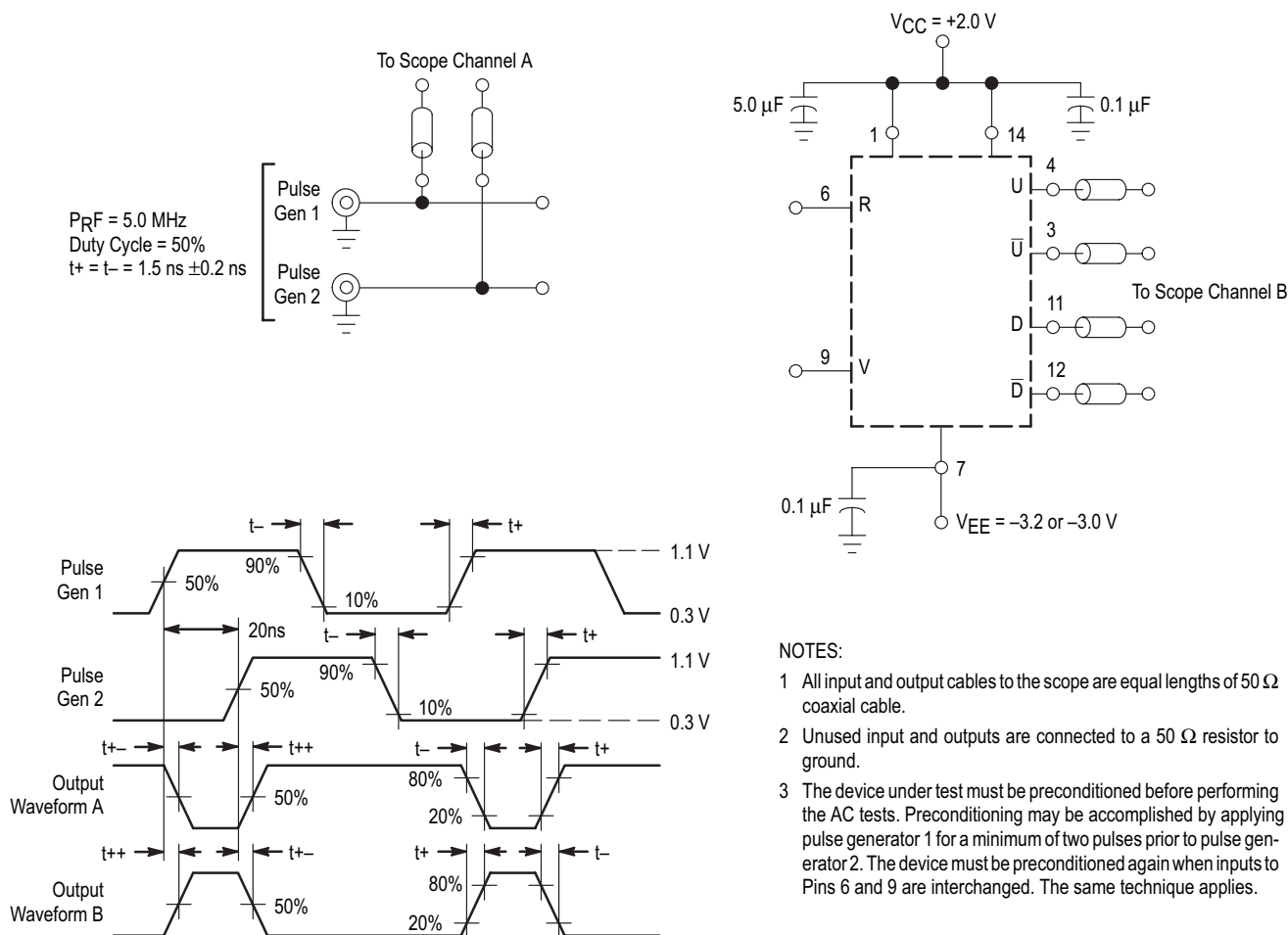
Symbol	Characteristics	Pin Under Test	MC12040						TEST VOLTAGE APPLIED TO PINS BELOW					(V <sub>CC</sub> ) Gnd	
			0°C		25°C		75°C		Unit	V <sub>IHmax</sub>	V <sub>ILmin</sub>	V <sub>IHAmin</sub>	V <sub>ILAmax</sub>		V <sub>EE</sub>
			Min	Max	Min	Max	Min	Max							
I <sub>E</sub>	Power Supply Drain	7			-120	-60			mAdc					7	1,14
I <sub>INH</sub>	Input Current	6 9				350 350			μAdc	6 9				7 7	1,14 1,14
V <sub>OH</sub> <sup>1</sup>	Logic “1” Output Voltage	3 4 11 12	-1.000	-0.840	-0.960	-0.810	-0.900	-0.720	Vdc					7	1,14
V <sub>OL</sub> <sup>1</sup>	Logic “0” Output Voltage	3 4 11 12	-1.870	-1.635	-1.850	-1.620	-1.830	-1.595	Vdc					7	1,14
V <sub>OHA</sub> <sup>2</sup>	Logic “1” Input Voltage	3 4 11 12	-1.020		-0.980		-0.920		Vdc			6.9		7	1,14
V <sub>OLA</sub> <sup>2</sup>	Logic “0” Input Voltage	3 4 11 12		-1.615		-1.600		-1.575	Vdc			9 6 9 6 6		7	1,14

		TEST VOLTAGE VALUES				
		(Volts)				
@ Test Temperature		V <sub>IHmax</sub>	V <sub>ILmin</sub>	V <sub>IHAmin</sub>	V <sub>ILAmax</sub>	V <sub>EE</sub>
0°C		+4.160	+3.130	+3.855	+3.510	+5.0
25°C		+4.190	+3.150	+3.895	+3.525	+5.0
75°C		+4.280	+3.170	+3.955	+3.550	+5.0

Supply Voltage = +5.0V

Symbol	Characteristics	Pin Under Test	MC12040						TEST VOLTAGE APPLIED TO PINS BELOW					(V <sub>CC</sub> ) Gnd	
			0°C		25°C		75°C		Unit	V <sub>IHmax</sub>	V <sub>ILmin</sub>	V <sub>IHAmin</sub>	V <sub>ILAmax</sub>		V <sub>EE</sub>
			Min	Max	Min	Max	Min	Max							
I <sub>E</sub>	Power Supply Drain	7			-115	-60			mAdc					1,14	7
I <sub>INH</sub>	Input Current	6 9				350 350			μAdc	6 9				1,14 1,14	7 7
V <sub>OH</sub> <sup>1</sup>	Logic “1” Output Voltage	3 4 11 12	4.000	4.160	4.040	4.190	4.100	4.280	Vdc					1,14	7
V <sub>OL</sub> <sup>1</sup>	Logic “0” Output Voltage	3 4 11 12	3.190	3.430	3.210	3.440	3.230	3.470	Vdc					1,14	7
V <sub>OHA</sub> <sup>2</sup>	Logic “1” Input Voltage	3 4 11 12	3.980		4.020		4.080		Vdc			6.9		1,14	7
V <sub>OLA</sub> <sup>2</sup>	Logic “0” Input Voltage	3 4 11 12		3.450		3.460		3.490	Vdc			9 6 9 6 6		1,14	7

Figure 1. AC Tests



Symbol	Characteristic	Pin Under Test	Output Waveform	ML12040			Unit	TEST VOLTAGES/WAVEFORMS APPLIED TO PINS LISTED			
				0°C	25°C	85°C		Pulse Gen 1	Pulse Gen 2	V <sub>EE</sub> -3.0 or -3.2 V	V <sub>CC</sub> 2.0 V
				Max	Max	Max					
$t_{6+4}$ $t_{6+12+}$ $t_{6+3-}$ $t_{6+11-}$ $t_{9+11+}$ $t_{9+3+}$ $t_{9+12-}$ $t_{9+4-}$	Propagation Delay	6,4 6,12 6,3 6,11 9,11 9,3 9,12 9,4	B A A B B A A B	4.6 6.0 4.5 6.4 4.6 6.0 4.5 6.4	4.6 6.0 4.5 6.4 4.6 6.0 4.5 6.4	5.0 6.6 4.9 7.0 5.0 6.6 4.9 7.0	ns	6 9 6 9 9 6 9 6	9 6 9 6	7	1,14
$t_{3+}$ $t_{4+}$ $t_{11+}$ $t_{14+}$	Output Rise Time	3 4 11 14	A B B A	3.4	3.4	3.8	ns	6 6 9 9	9 9 6 6	7	1,14
$t_{3-}$ $t_{4-}$ $t_{11-}$ $t_{14-}$	Output Fall Time	3 4 11 14	A B B A	3.4	3.4	3.8	ns	6 6 9 9	9 9 6 6	7	1,14

### Legacy Applications Information

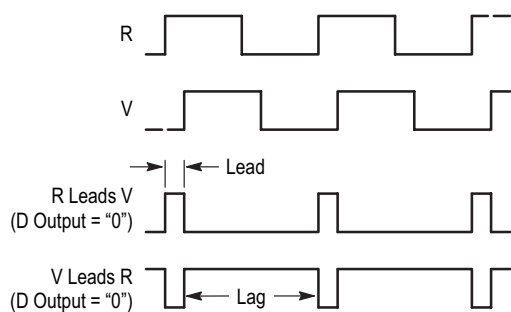
The ML12040 is a logic network designed for use as a phase comparator for MECL-compatible input signals. It determines the “lead” or “lag” phase relationship and the time difference between the leading edges of the waveforms. Since these edges occur only once per cycle, the detector has a range of  $\pm 2\pi$  radians.

Operation of the device may be illustrated by assuming two waveforms, R and V (Figure 2), of the same frequency but differing in phase. If the logic had established by past history that R was leading V, the U output of the detector (pin 4) would produce a positive pulse width equal to the phase difference and the D output (Pin 11) would simply remain low.

On the other hand, it is also possible that V was leading R (Figure 2), giving rise to a positive pulse on the D output and a constant low level on the U output pin. Both outputs for the sample condition are valid since the determination of lead or lag is dependent on past edge crossing and initial conditions at start-up. A stable phase-locked loop will result from either condition.

Phase error information is contained in the output duty cycle that is, the ratio of the output pulse width to total period. By integrating or low-pass filtering the outputs of the detector and shifting the level to accommodate ECL swings, usable analog information for the voltage controlled oscillator can be developed. A circuit useful for this function is shown in Figure 3.

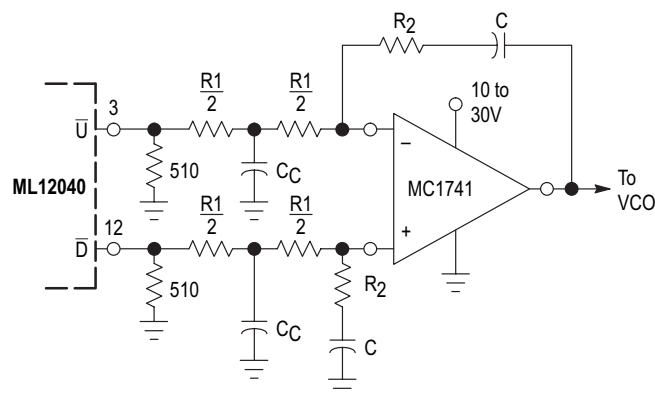
Figure 2. Timing Diagram



Proper level shifting is accomplished by differentially driving the operational amplifier from the normally high outputs of the phase detector (U and D). Using this technique the quiescent differential voltage to the operational amplifier is zero (assuming matched “1” levels from the phase detector). The U and D outputs are then used to pass along phase information to the operational amplifier. Phase error summing is accomplished through resistors R1 connected to the inputs of the operational amplifier. Some R-C filtering imbedded within the input network (Figure 3) may be very beneficial since the very narrow correctional pulses of the ML12040 would not normally be integrated by the amplifier. Phase detector gain for this configuration is approximately 0.16 volts/radian.

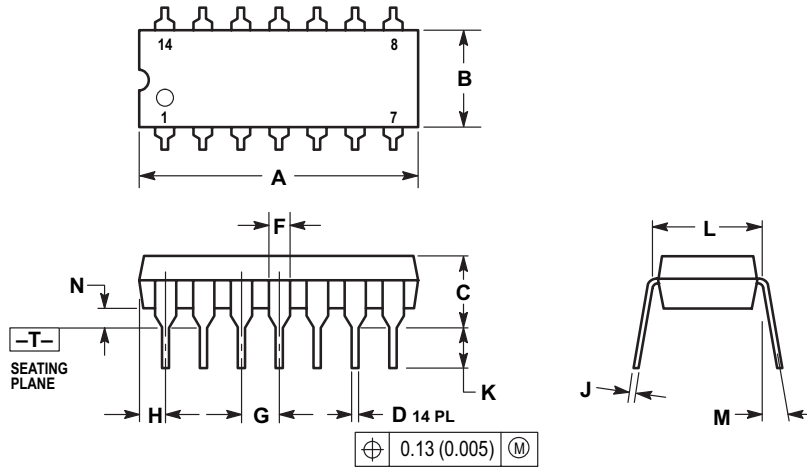
System phase error stems from input offset voltage in the operational amplifier, mismatching of nominally equal resistors, and mismatching of phase detector “high” states between the outputs used for threshold setting and phase measuring. All these effects are reflected in the gain constant. For example, a 16 mV offset voltage in the amplifier would cause an error of  $0.016/0.16 = 0.1$  radian or 5.7 degrees of error. Phase error can be trimmed to zero initially by trimming either input offset or one of the threshold resistors (R1 in Figure 3). Phase error over temperature depends on how much the offending parameters drift.

Figure 3. Typical Filter and Summing Network



OUTLINE DIMENSIONS

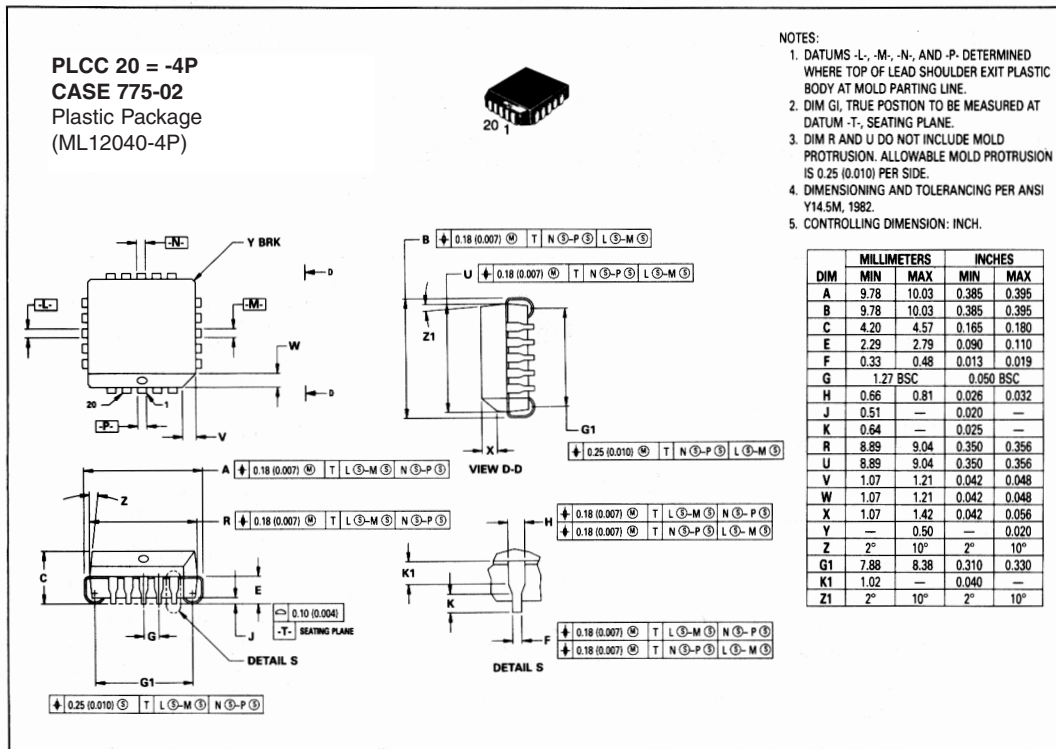
P DIP 14 = CP  
 PLASTIC PACKAGE  
 (ML12040CP)  
 CASE 646-06  
 ISSUE M



NOTES:

1. DIMENSIONING AND TOLERANCING PER ANSI Y14.5M, 1982.
2. CONTROLLING DIMENSION: INCH.
3. DIMENSION L TO CENTER OF LEADS WHEN FORMED PARALLEL.
4. DIMENSION B DOES NOT INCLUDE MOLD FLASH.
5. ROUNDED CORNERS OPTIONAL.

DIM	INCHES		MILLIMETERS	
	MIN	MAX	MIN	MAX
A	0.715	0.770	18.16	18.80
B	0.240	0.260	6.10	6.60
C	0.145	0.185	3.69	4.69
D	0.015	0.021	0.38	0.53
F	0.040	0.070	1.02	1.78
G	0.100 BSC		2.54 BSC	
H	0.052	0.095	1.32	2.41
J	0.008	0.015	0.20	0.38
K	0.115	0.135	2.92	3.43
L	0.290	0.310	7.37	7.87
M	— 10°		— 10°	
N	0.015	0.039	0.38	1.01



NOTES:

1. DATUMS -L-, -M-, -N-, AND -P- DETERMINED WHERE TOP OF LEAD SHOULDER EXIT PLASTIC BODY AT MOLD PARTING LINE.
2. DIM G1, TRUE POSITION TO BE MEASURED AT DATUM -T-, SEATING PLANE.
3. DIM R AND U DO NOT INCLUDE MOLD PROTRUSION. ALLOWABLE MOLD PROTRUSION IS 0.25 (0.010) PER SIDE.
4. DIMENSIONING AND TOLERANCING PER ANSI Y14.5M, 1982.
5. CONTROLLING DIMENSION: INCH.

Lansdale Semiconductor reserves the right to make changes without further notice to any products herein to improve reliability, function or design. Lansdale does not assume any liability arising out of the application or use of any product or circuit described herein; neither does it convey any license under its patent rights nor the rights of others. "Typical" parameters which may be provided in Lansdale data sheets and/or specifications can vary in different applications, and actual performance may vary over time. All operating parameters, including "Typicals" must be validated for each customer application by the customer's technical experts. Lansdale Semiconductor is a registered trademark of Lansdale Semiconductor, Inc.