

#### Legacy Device: Motorola MC12149

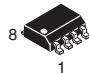
The ML12149 is intended for applications requiring high frequency signal generation up to 1300 MHz. An external tank circuit is used to determine the desired frequency of operation. The VCO is realized using an emitter-coupled pair topology. The ML12149 can be used with an emitter PLL IC such as the Motorola ML12210 1.1 GHz Frequency Synthesizer to realize a complete PLL sub-system. The device is specified to operate over a voltage supply range of 2.7 to 5.5 V. It has a typical current consumption of 15 mA at 3.0 V which makes it attractive for battery operated handheld systems.

#### NOTE: The ML12149 is NOT suitable as a crystal oscillator

- Operated Up to 1.3 GHz
- Space-Efficient 8-Pin SOIC Package
- Low Power 15 mA Typical @ 3.0 V Operation
- Supply Voltage of 2.7 to 5.5 V
- Typical 900 MHz Performance
  - Phase Noise – 105 dBc/Hz @ 100 KHz Offset
  - Tuning Voltage Sensitivity of 20 MHz/V
- Output Amplitude Adjustment Capability
- Two High Drive Output with an Adjustable Range from –8.0 to –2.0 dBm
- One Low-Drive Output for Interfacing to a Prescaler
- Operating Temperature Range  $T_A = -40$  to  $85^\circ\text{C}$

The device has three high frequency outputs which make it attractive for transceiver applications which require both a transmit and receive local oscillator (LO) signal as well as a lower amplitude signal to drive the prescaler input of the frequency synthesizer. The outputs Q and QB are available for servicing the receiver IF and transmitter up-converter single-ended. In receiver applications, the outputs can be used together if it is necessary to generate a differential signal for the receiver IF. Because the Q and QB outputs are open collector, terminations to the VCC supply are required for proper operation. Since the outputs are complementary, both outputs must be terminated even if only one is needed. The Q and QB outputs have a nominal drive level of –8dBm to conserve power. A level adjustment pin (CNTL) is available, which when tied to ground, boosts the nominal output levels to –2.0 dBm. A low power VCO output (Q2) is also provided to drive the prescaler input of the PLL. The amplitude of this signal is nominally 500 mV which is suitable for most prescalers.

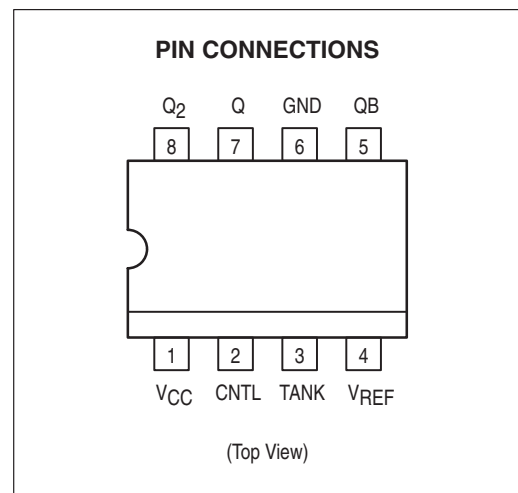
External components required for the ML12149 are: (1) tank circuit (LC network); (2) Inductor/capacitor to provide the termination for the open collector outputs; and (3) adequate supply voltage bypassing. The tank circuit consists of a high-Q inductor and varactor components. The preferred tank configuration allows the user to tune the VCO across the full supply range. VCO performance such as center frequency, tuning voltage sensitivity, and noise characteristics are dependent on the particular components and configuration of the VCO tank circuit.



**SO 8 -5P**  
PLASTIC PACKAGE  
CASE 751  
(SO-8)

CROSS REFERENCE/ORDERING INFORMATION		
PACKAGE	MOTOROLA	LANSDALE
SO 8	MC12149D	ML12149-5P

**Note:** Lansdale lead free (Pb) product, as it becomes available, will be identified by a part number prefix change from **ML** to **MLE**.



**PIN NAMES**

Pin	Function
V <sub>CC</sub>	Power Supply
CNTL	Amplitude Control for Q, QB Output Pair
TANK	Tank Circuit Input
V <sub>REF</sub>	Bias Voltage Output
QB	Open Collector Output
GND	Ground
Q	Open Collector Output
Q <sub>2</sub>	Low Power Output

**MAXIMUM RATINGS** (Note 1)

Parameter	Symbol	Value	Unit
Power Supply Voltage, Pin 1	V <sub>CC</sub>	-0.5 to 7.0	V
Operating Temperature Range	T <sub>A</sub>	-40 to 85	C
Storage Temperature Range	T <sub>STG</sub>	-65 to 150	C
Maximum Output Current, Pin 8	I <sub>O</sub>	7.5	mA
Maximum Output Current, Pin 5,7	I <sub>O</sub>	12	mA

**NOTES:** 1. Maximum Ratings are those values beyond which damage to the device may occur.  
Functional operation should be restricted to the Recommended Operating Conditions.

**ELECTRICAL CHARACTERISTICS** (V<sub>CC</sub> = 2.7 to 5.5 VDC, T<sub>A</sub> = -40 to 85 C, unless otherwise noted.)

Characteristic	Symbol	Min	Typ	Max	Unit
Supply Current (CNTL=GND) V <sub>CC</sub> = 3.3 V V <sub>CC</sub> = 5.5 V	I <sub>CC</sub>	-	16 23.5	20 30	mA
Supply Current (CNTL=OPEN) V <sub>CC</sub> = 3.3 V V <sub>CC</sub> = 5.5 V	I <sub>CC</sub>	-	10 15	15.0 24.5	mA
Output Amplitude (Pin 8) V <sub>CC</sub> = 2.7 V High Impedance Load V <sub>CC</sub> = 2.7 V	V <sub>OH</sub> , V <sub>OL</sub>	1.75 1.20	1.85 1.35	1.95 1.50	V
Output Amplitude (Pin 8) V <sub>CC</sub> = 5.5 V High Impedance Load V <sub>CC</sub> = 5.5 V	V <sub>OH</sub> , V <sub>OL</sub>	4.50 3.85	4.6 4.0	4.70 4.15	V
Output Amplitude (Pin 5 & 7) [Note 1] V <sub>CC</sub> = 2.7 V 50 Ω to V <sub>CC</sub> V <sub>CC</sub> = 2.7 V	V <sub>OH</sub> , V <sub>OL</sub>	2.6 2.1	2.7 2.3	- 2.4	V
Output Amplitude (Pin 5 & 7) [Note 1] V <sub>CC</sub> = 5.5 V 50 Ω to V <sub>CC</sub> V <sub>CC</sub> = 5.5 V	V <sub>OH</sub> , V <sub>OL</sub>	5.4 4.8	5.5 5.0	- 5.1	V
Tuning Voltage Sensitivity [Notes 2 and 3]	T <sub>stg</sub>	-	20	-	MHz/V
Frequency of Operation	F <sub>C</sub>	100	-	1300	MHz
CSR at 10 kHz Offset, 1Hz BW [Notes 2 and 3]	∠(f)	-	-85	-	dBc/Hz
CSR at 100 kHz Offset, 1Hz BW [Notes 2 and 3]	∠(f)	-	-105	-	dBc/Hz
Frequency Stability [Notes 3 and 4] Supply Drift Thermal Drift	F <sub>sts</sub> f <sub>stt</sub>	- -	0.8 50	- -	MHz/V KHz/ C

**NOTES:** 1. CNTL pin tied to ground.  
2. Actual performance depends on tank components selected.  
3. See Figure 12, 750 MHz tank.  
4. T = 25 C, V<sub>CC</sub> = 5.0 V ±10%

## OPERATIONAL CHARACTERISTICS

A simplified schematic of the ML12149 is found in Figure 1. The oscillator incorporates positive feedback by coupling the base of transistor Q2 to the collector of transistor Q1. In order to minimize interaction between the VCO outputs and the oscillator tank transistor pair, a buffer is incorporated into the circuit. This differential buffer is realized by the Q3 and Q4 transistor pair. The differential buffer drives the gate which contains the primary open collector outputs, Q and QB. The output is actually a current which has been set by an internal bias driver to a nominal current of 4mA. Additional circuitry is incorporated into the tail of the current source which allows the current source to be increased to approximately 10 mA. This is accommodated by the addition of a resistor which is brought out to the CNTL pin. When this pin is tied to ground, the additional current is sourced through the current source thus increasing the output amplitude of the Q/QB output pair. If less than 10mA of current is needed, a resistor can be added to ground which reduces the amount of current.

The Q/QB outputs drive an additional differential buffer which generate the Q2 output signal. To minimize current, the circuit is realized as an emitter-follower buffer with an on chip pull down resistor. This output is intended to drive the prescaler input of the PLL synthesizer block.

## APPLICATION INFORMATION

Figure 2 illustrates the external components necessary for the proper operation of the VCO buffer. The tank circuit configuration in this figure allows the VCO to be tuned across the full operating voltage of the power supply. This is very important in 3.0 V applications where it is desirable to utilize as much of the operating supply range as possible so as to minimize the VCO sensitivity (MHz/V). In most situations, it is desirable to keep the sensitivity low so the circuit will be less susceptible to external noise influences. An additional benefit to this configuration is

that additional regulation/ filtering can be incorporated into the Vcc line without compromising the tuning range of the VCO. With the AC-coupled tank configuration, the Vtune voltage can be greater than the VCC voltage supplied to the device. There are four main areas that the user directly influences the performance of the VCO. These include Tank Design, Output Termination Selection, Power Supply Decoupling, and Circuit Board Layout/Grounding. The design of the tank circuit is critical to the proper operation of the VCO. This tank circuit directly impacts the main VCO operating characteristics:

- 1) Frequency of Operation
- 2) Tuning Sensitivity
- 3) Voltage Supply Pushing
- 4) Phase Noise Performance

The tank circuit, in its simplest form, is realized as an LC circuit which determines the VCO operating frequency. This is described in Equation 1.

$$f_0 = \frac{1}{2 \sqrt{LC}} \quad \text{Equation 1}$$

In the practical case, the capacitor is replaced with a varactor diode whose capacitance changes with the voltage applied, thus changing the resonant frequency at which the VCO tank operates. The capacitive component in Equation 1 also needs to include the input capacitance of the device and other circuit and parasitic elements. Typically, the inductor is realized as a surface mount chip or a wound-coil. In addition, the lead inductance and board inductance and capacitance also have an impact on the final operating point.

Figure 1. Simplified Schematic

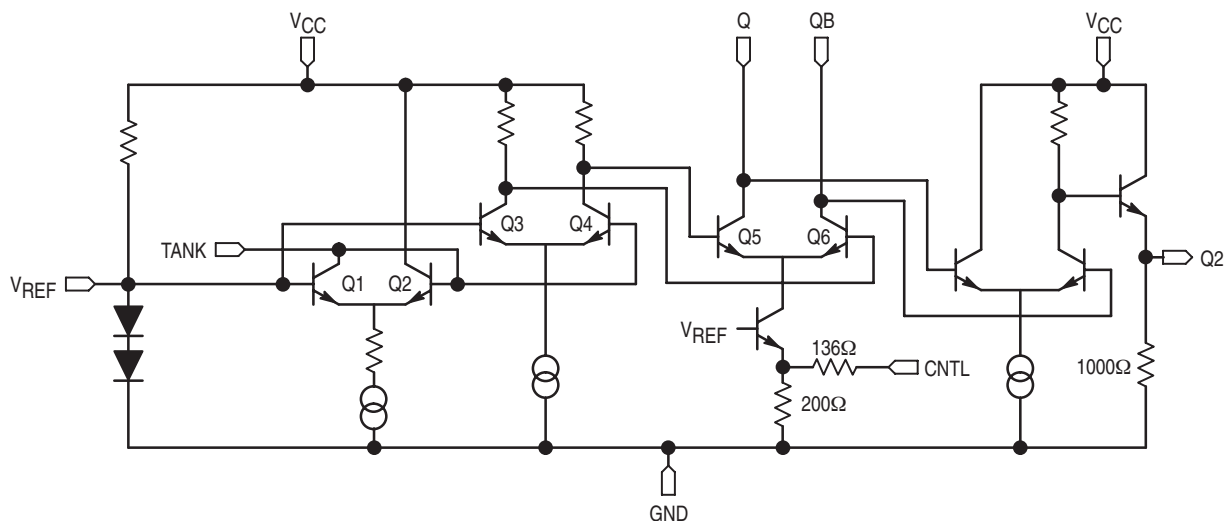
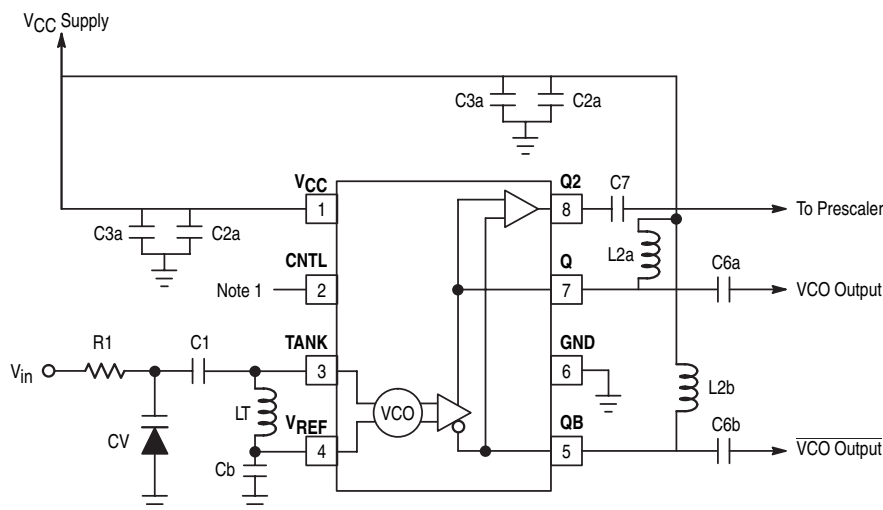


Figure 2. ML12149 Typical External Component Connections



1. This input can be left open, tied to ground, or tied with a resistor to ground, depending on the desired output amplitude needed at the Q and QB output pair.
2. Typical values for R1 range from 5.0 k $\Omega$  to 10 k $\Omega$ .

### Legacy Applications Information

A simplified linear approximation of the device, package, and typical board parasitics has been developed to aid the designer in selecting the proper tank circuit values. All the parasitic contributions have been lumped into a parasitic capacitive component and a parasitic inductive component. While this is not entirely accurate, it gives the designer a solid starting point for selecting the tank components. Below are the parameters used in the model.

C <sub>p</sub>	Parasitic Capacitance
L <sub>p</sub>	Parasitic Inductance
L <sub>T</sub>	Inductance of Coil
C <sub>1</sub>	Coupling Capacitor Value
C <sub>b</sub>	Capacitor for decoupling the Bias Pin
CV	Varactor Diode Capacitance (Variable)

The values for these components are substituted into the following equations:

$$C_i = \frac{C_1 \times CV}{C_1 + CV} \quad C_p \quad \text{Equation 2}$$

$$C = \frac{C_i \times C_b}{C_i + C_b} \quad \text{Equation 3}$$

$$L = L_p + L_T \quad \text{Equation 4}$$

From Figure 2, it can be seen that the varactor capacitance (CV) is in series with the coupling capacitor (C1). This is calculated in Equation 2. For analysis purposes, the parasitic capacitances (CP) are treated as a lumped element and placed in parallel with the series combination of C1 and CV. This compound capacitance (Ci) is in series with the bias capacitor (Cb) which is calculated in Equation 3. The influences of the various capacitances; C1, CP, and Cb, impact the design by reducing the variable capacitance effects of the varactor which controls the tank resonant frequency and tuning range.

Now the results calculated from Equation 2, Equation 3 and Equation 4 can be substituted into Equation 1 to calculate the actual frequency of the tank.

To aid in analysis, it is recommended that the designer use a simple spreadsheet based on Equation 1 through Equation 4 to calculate the frequency of operation for various varactor/inductor selections before determining the initial starting condition for the tank.

The two main components at the heart of the tank are the inductor (LT) and the varactor diode (CV). The capacitance of a varactor diode junction changes with the amount of reverse bias voltage applied across the two terminals. This is the element which actually “tunes” the VCO. One characteristic of the varactor is the tuning ratio which is the ratio of the capacitance at specified minimum and maximum voltage points. For characterizing the ML12149, a Matsushita (Panasonic) varactor – MA393 was selected. This device has a typical capacitance of 11 pF at 1.0 V and 3.7 pF at 4.0 V and the C–V characteristic is fairly linear over that range. Similar performance was also achieved with Loral varactors. A multi-layer chip inductor was used to realize the LT component. These inductors had typical Q values in the 35 to 50 range for frequencies between 500 and 1000 MHz.

**Note:** There are many suppliers of high performance varactors and inductors and Motorola can not recommend one vendor over another.

The Q (quality factor) of the components in the tank circuit has a direct impact on the resulting phase noise of the oscillator. In general, the higher the Q, the lower the phase noise of the resulting oscillator. In addition to the LT and CV components, only high quality surface-mount RF chip capacitors should be used in the tank circuit. These capacitors should have very low dielectric loss (high-Q). At a minimum, the capacitors selected should be operating 100 MHz below their series resonance point. As the desired frequency of operation increases, the values of the C1 and Cb capacitors will decrease since the series resonance point is a function of

### Legacy Applications Information

the capacitance value. To simplify the selection of C1 and Cb, a table has been constructed based on the intended operating frequency to provide recommended starting points. These may need to be altered depending on the value of the varactor selected.

Frequency	C1	Cb
200 – 500 MHz	47 pF	47 pF
500 – 900 MHz	5.1 pF	15 pF
900 – 1200 MHz	2.7 pF	15 pF

The value of the Cb capacitor influences the VCO supply pushing. To minimize pushing, the Cb capacitor should be kept small. Since C1 is in series with the varactor, there is a strong relationship between these two components which influences the VCO sensitivity. Increasing the value of C1 tends to increase the sensitivity of the VCO.

The parasitic contributions Lp and Cp are related to the ML12149 as well as parasitics associated with the layout, tank components, and board material selected. The input capacitance of the device, bond pad, the wire bond, package/lead capacitance, wire bond inductance, lead inductance, printed circuit board layout, board dielectric, and proximity to the ground plane all have an impact on these parasitics. For example, if the ground plane is located directly below the tank components, a parasitic capacitor will be formed consisting of the solder pad, metal traces, board dielectric material, and the ground plane. The test fixture used for characterizing the device consisted of a two sided copper clad board with ground plane on the back. Nominal values were determined by selecting a varactor and characterizing the device with a number of different tank/frequency combinations and then performing a curve fit with the data to determine values for Lp and Cp. The nominal values for the parasitic effects are seen below:

Parasitic Capacitance	Cp	4.2 pF
Parasitic Inductance	Lp	2.2 nH

These values will vary based on the users unique circuit board configuration.

#### Basic Guidelines:

1. Select a varactor with high Q and a reasonable capacitance versus voltage slope for the desired frequency range.
2. Select the value of Cb and C1 from the table above.
3. Calculate a value of inductance (L) which will result in achieving the desired center frequency. Note that L includes both LT and Lp.
4. Adjust the value of C1 to achieve the proper VCO sensitivity.
5. Re-adjust value of L to center VCO.
6. Prototype VCO design using selected components. It is important to use similar construction techniques and materials, board thickness, layout, ground plane spacing as intended for the final product.
7. Characterize tuning curve over the voltage operation conditions.
8. Adjust, as necessary, component values – L, C1, and Cb to compensate for parasitic board effects.

9. Evaluate over temperature and voltage limits.
10. Perform worst case analysis of tank component variation to insure proper VCO operation over full temperature and voltage range and make any adjustments as needed.

Outputs Q and QB are open collector outputs and need an inductor to VCC to provide the voltage bias to the output transistor. In most applications, DC-blocking capacitors are placed in series with the output to remove the DC component before interfacing to other circuitry. These outputs are complementary and should have identical inductor values for each output. This will minimize switching noise on the VCC supply caused by the outputs switching. It is important that both outputs be terminated, even if only one of the outputs is used in the application.

Referring to Figure 2, the recommended value for L2a and L2b should be 47 nH and the inductor components resonance should be at least 300 MHz greater than the maximum operating frequency. For operation above 1100MHz, it may be necessary to reduce that inductor value to 33nH. The recommended value for the coupling capacitors C6a, C6b, and C7 is 47 pF. Figure 2 also includes decoupling capacitors for the supply line as well as decoupling for the output inductors. Good RF decoupling practices should be used with a series of capacitors starting with high quality 100pF chip capacitors close to the device. A typical layout is shown below in Figure 3.

The output amplitude of the Q and QB can be adjusted using the CNTL pin. Referring to Figure 1, if the CNTL pin is connected to ground, additional current will flow through the current source. When the pin is left open, the nominal current flowing through the outputs is 4 mA. When the pin is grounded, the current increases to a nominal value of 10 mA. So if a 50 ohm resistor was connected between the outputs and VCC, the output amplitude would change from 200 mV pp to 500 mV pp with an additional current drain for the device of 6 mA. To select a value between 4 and 10 mA, an external resistor can be added to ground. The equation below is used to calculate the current.

$$I_{out(nom)} = \frac{(200 + 136 + R_{ext}) \times 0.8V}{200 \times (136 + R_{ext})}$$

Figure 4 through Figure 13 illustrate typical performance achieved with the ML12149. The curves illustrate the tuning curve, supply pushing characteristics, output power, current drain, output spectrum, and phase noise performance. In most cases, data is present for both a 750 MHz and 1200 MHz tank design. The table below illustrates the component values used in the designs.

Component	750MHz Tank	1200MHz Tank	Units
R1	5000	5000	Ω
C1	5.1	2.7	pF
LT	4.7	1.8	nH
CV	3.7 @ 1.0 V 11 @ 4.0 V	3.7 @ 1.0 V 11 @ 4.0 V	pF
Cb	100*	15	pF
C6, C7	47	33	pF
L2	47	47	nH

NOTE: \* The value of Cb should be reduced to minimize pushing.

**Figure 3. ML12149 Typical Layout**  
(Not to Scale)

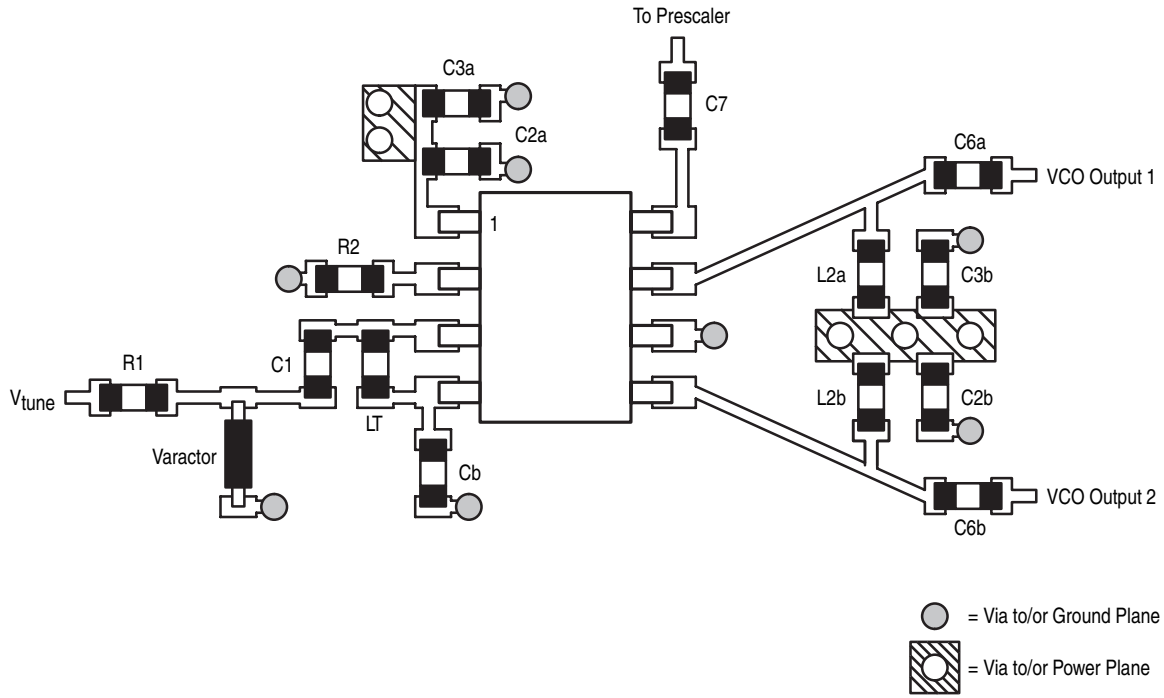


Figure 4. Typical VCO Tuning Curve, 750 MHz Tank

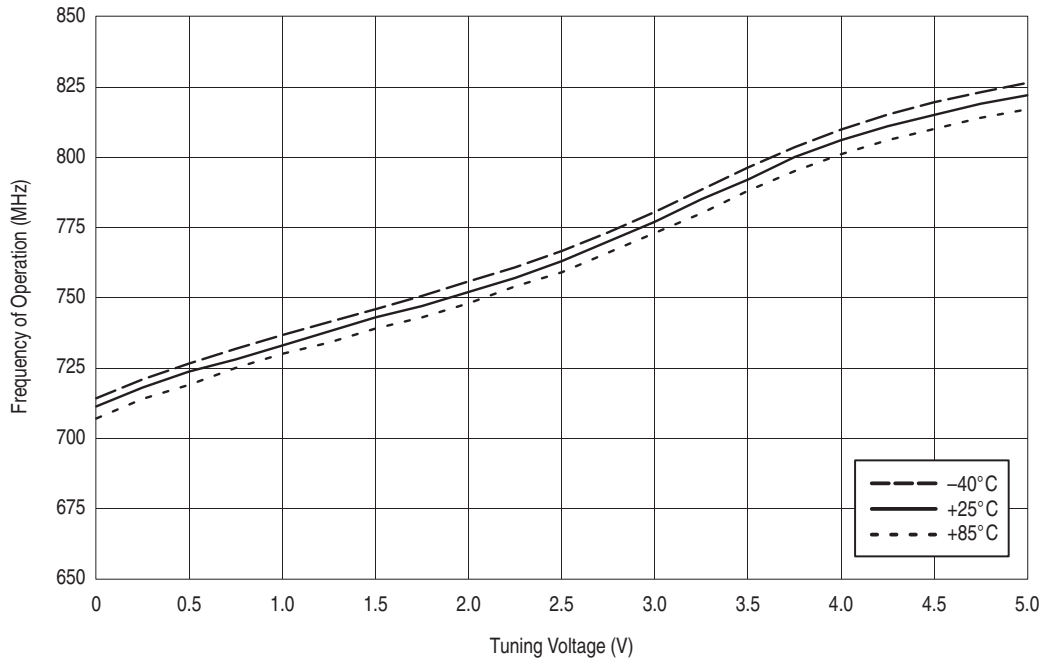


Figure 5. Typical Supply Pushing, 750 MHz Tank

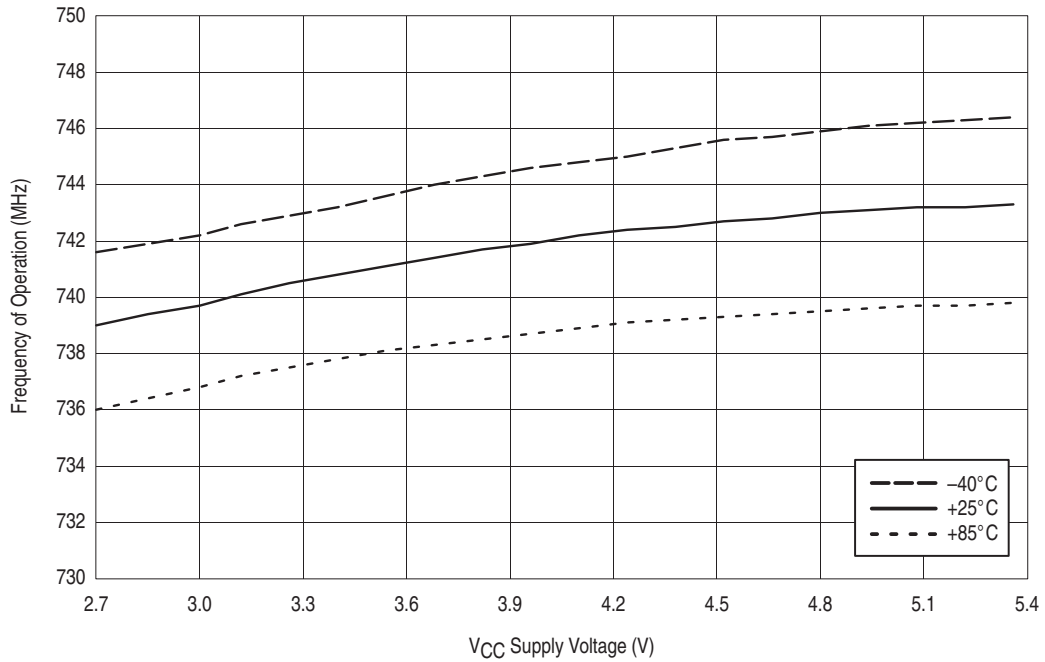


Figure 6. Typical Q/QB Output Power versus Supply, 750 MHz Tank

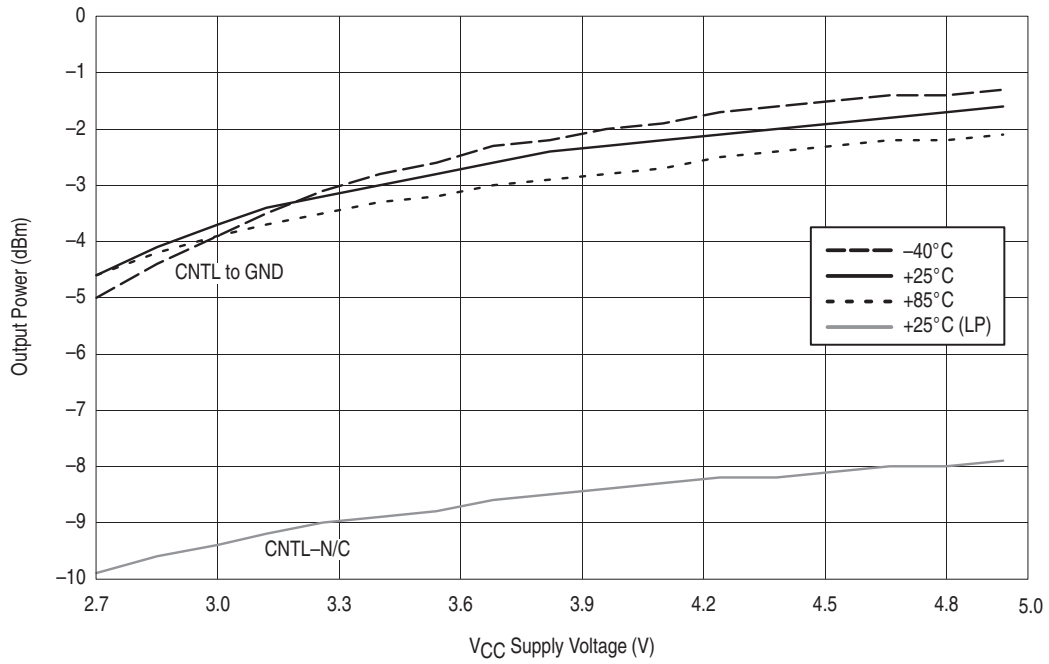
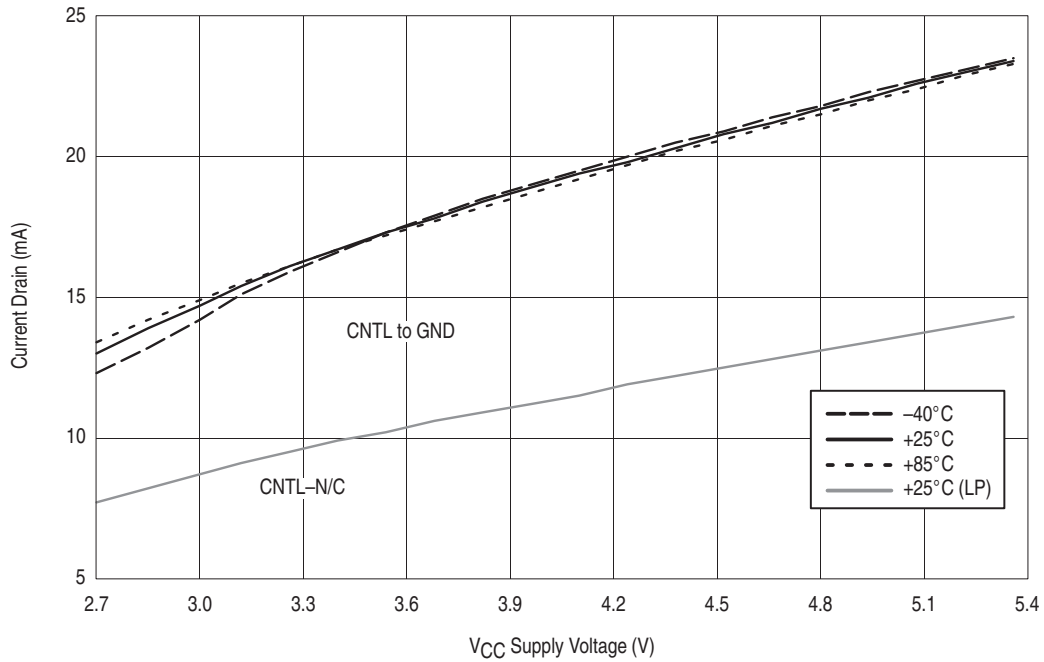
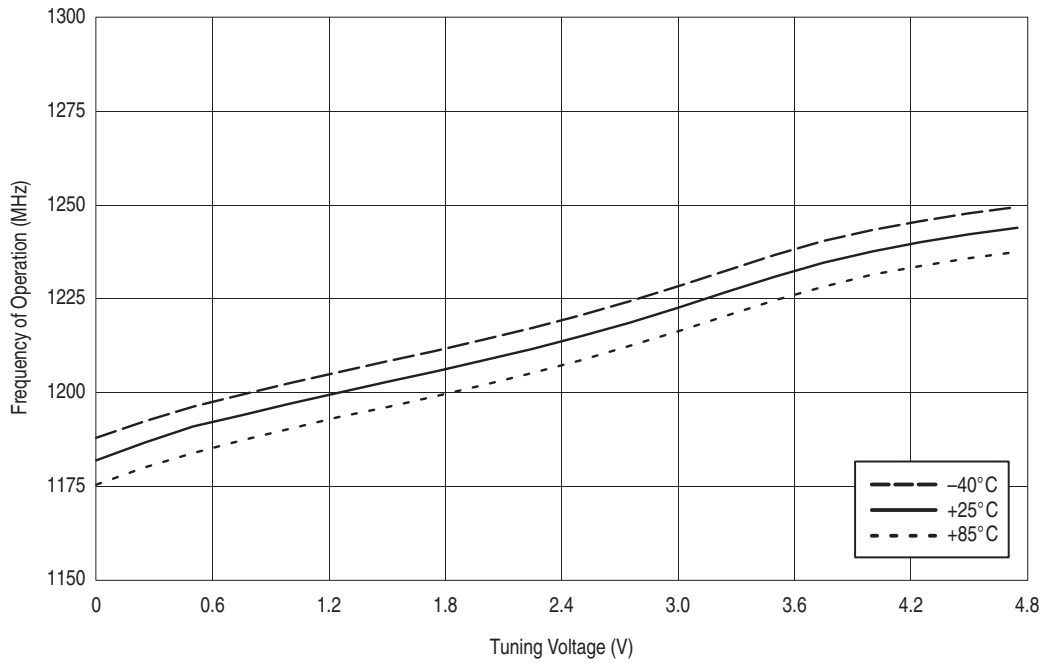


Figure 7. Typical Current Drain versus Supply, 750 MHz Tank





**Figure 8. Typical VCO Tuning Curve, 1200 MHz Tank**  
(V<sub>CC</sub> = 5.0 V)



**Figure 9. Typical Supply Pushing, 1200 MHz Tank**

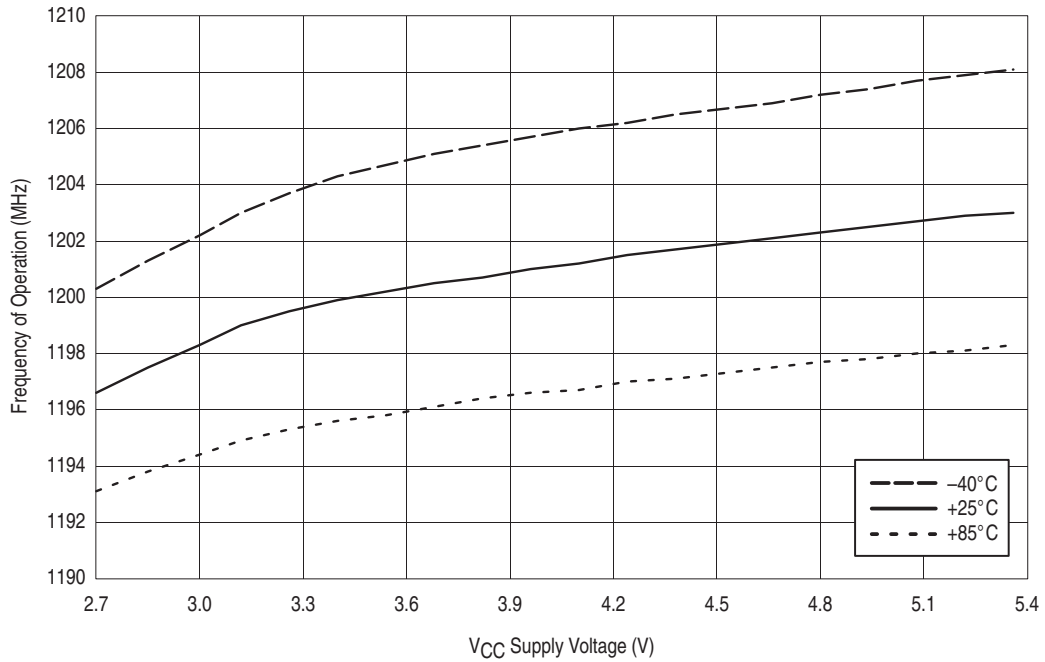


Figure 10. Q/QB Output Power versus Supply, 1200 MHz Tank

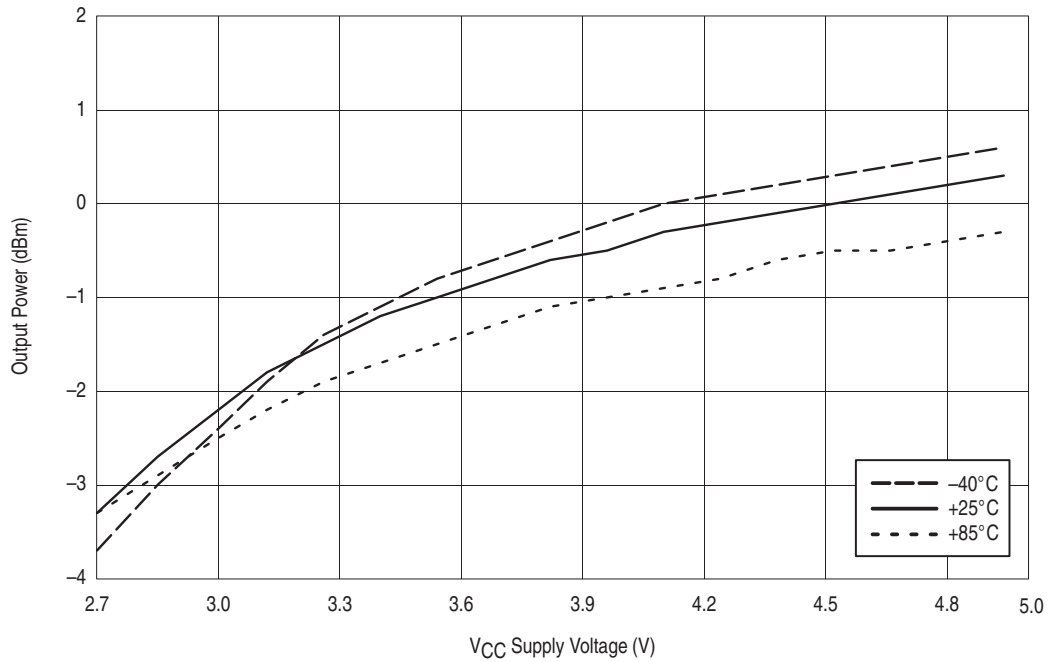


Figure 11. Typical VCO Output Spectrum

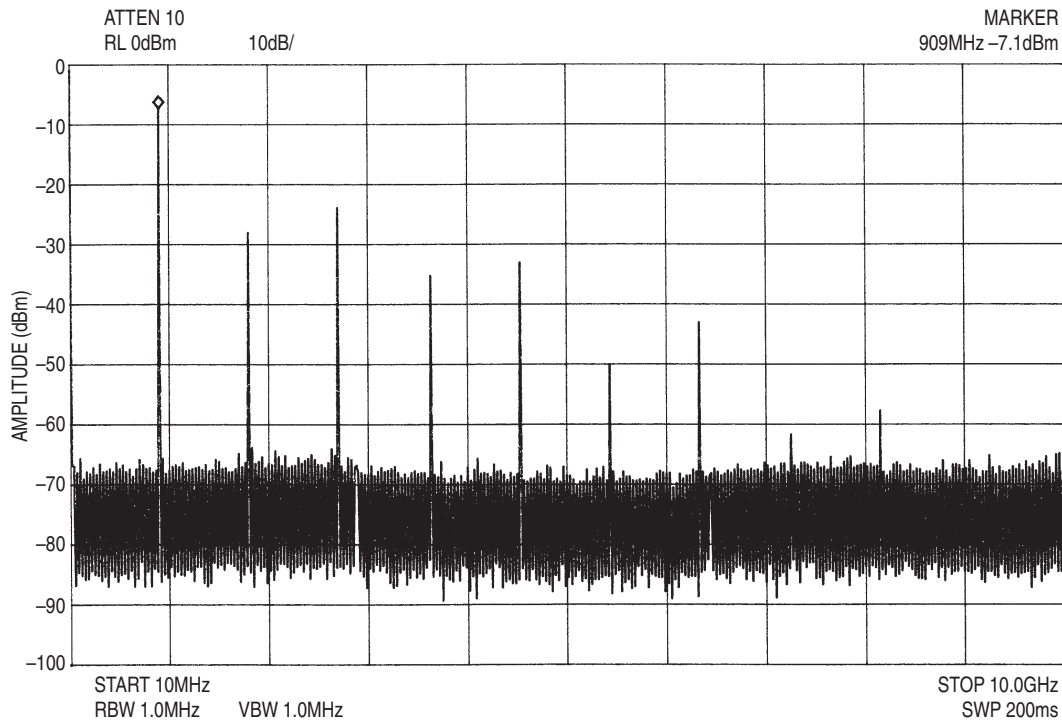


Figure 12. Typical Phase Noise Plot, 750 MHz Tank

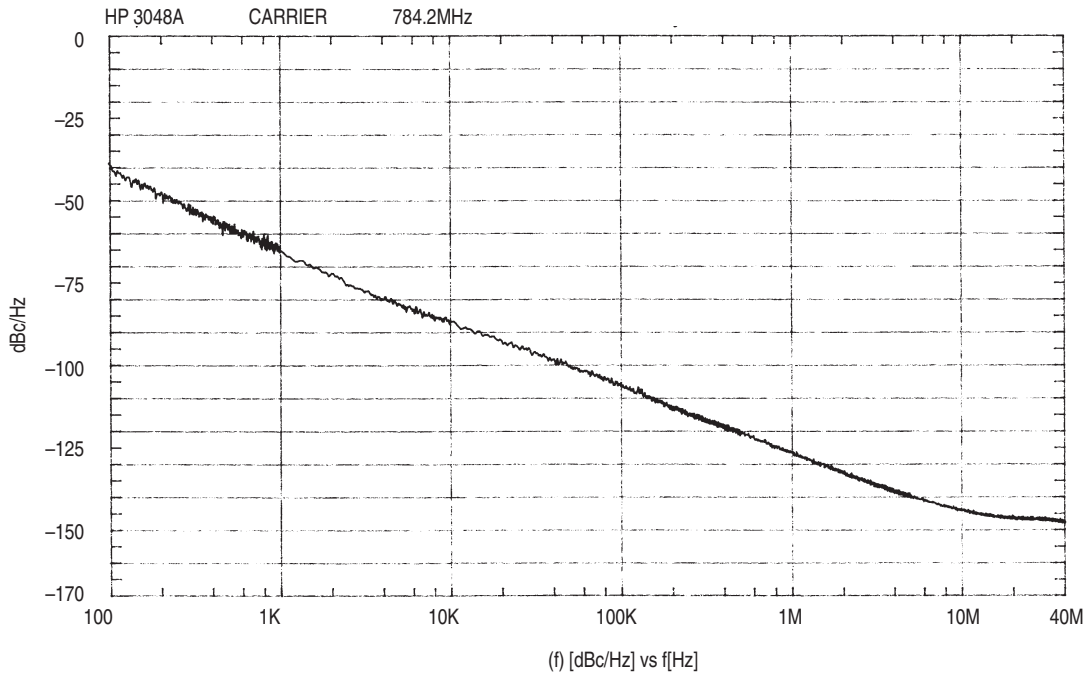
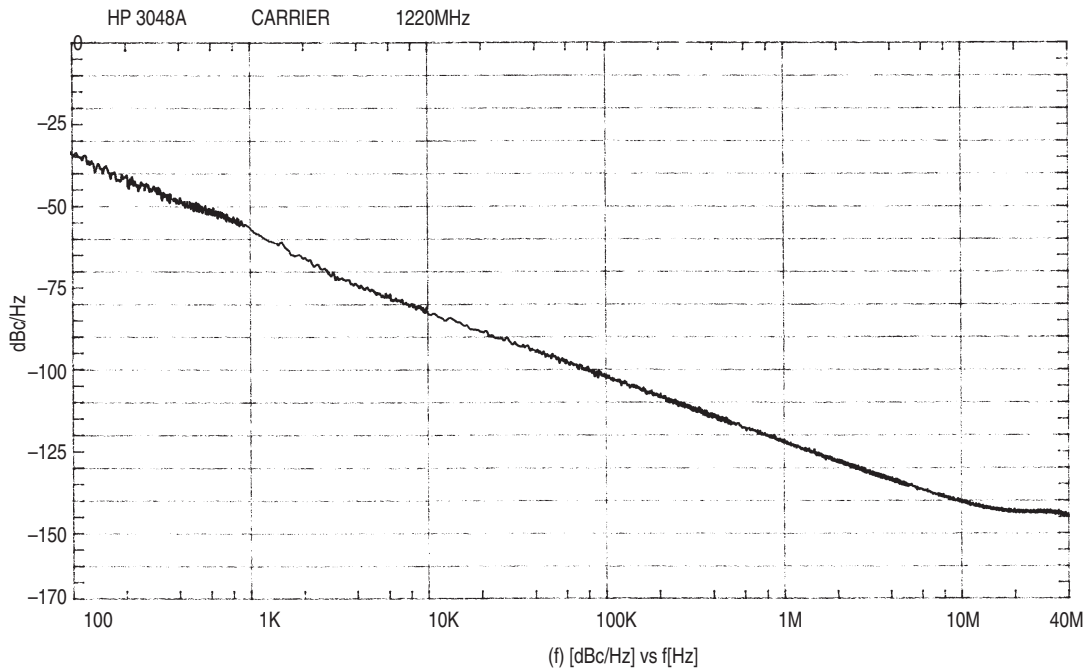
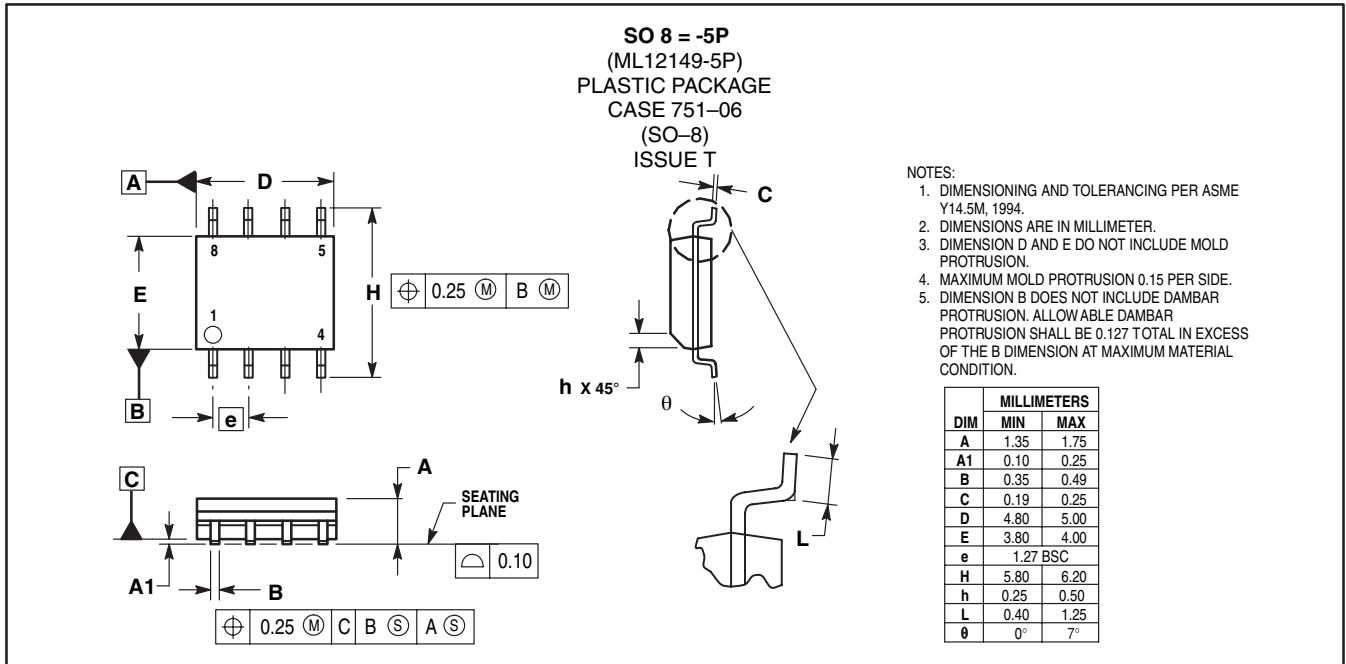


Figure 13. Typical Phase Noise Plot, 1200 MHz Tank



OUTLINE DIMENSIONS



Lansdale Semiconductor reserves the right to make changes without further notice to any products herein to improve reliability, function or design. Lansdale does not assume any liability arising out of the application or use of any product or circuit described herein; neither does it convey any license under its patent rights nor the rights of others. "Typical" parameters which may be provided in Lansdale data sheets and/or specifications can vary in different applications, and actual performance may vary over time. All operating parameters, including "Typicals" must be validated for each customer application by the customer's technical experts. Lansdale Semiconductor is a registered trademark of Lansdale Semiconductor, Inc.