

DATA BUS TERMINATOR / 3-PHASE, FULL WAVE BRIDGE

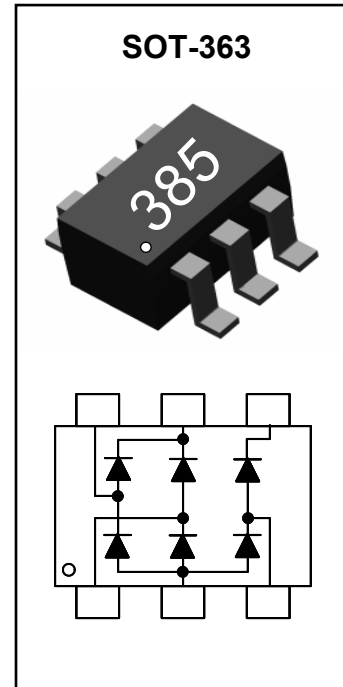
This highly integrated device is designed as rail to rail overvoltage protection clamp for up to 3 data lines. It is also ideal as a three-phase, full wave bridge. PanJit's PJ3L85 is ideal in portable applications where small form factors are required.

FEATURES

- Very Low Reverse Leakage Current
- Fast Switching
- Ultra Small SOT-363 Package Utilizing Minimal Board Space
- Lead Free Plating, 100% Matte Tin Finish, RoHS Compliant

APPLICATIONS

- PDAs
- Portable Computers



MAXIMUM RATINGS $T_A = 25^\circ\text{C}$, unless otherwise noted

Rating	Symbol	Value	Units
Marking Code		385	
Reverse Voltage	V_R	85	V
Continuous Forward Current	I_F	160	mA
Non-Repetitive Surge Current, $t=1\text{s}$	I_{FSM}	500	mA
Power Dissipation (Note 1)	P_D	200	mW
Operating Junction Temperature Range	T_J	-65 to +150	$^\circ\text{C}$
Storage Temperature Range	T_{STG}	-65 to +150	$^\circ\text{C}$

Note 1: Device Mounted on FR-4 board 1.0 inch x 0.85 inch x 0.062 inch, with minimum pad layout.

THERMAL CHARACTERISTICS

Characteristic	Symbol	Value	Units
Thermal Resistance, Junction to Ambient	R_{thja}	625	$^\circ\text{C/W}$

ELECTRICAL CHARACTERISTICS (Each Diode)

$T_J = 25^\circ\text{C}$, unless otherwise noted

Characteristic	Symbol	Min	Typ	Max	Units
Reverse Breakdown Voltage (Note 2)	V_{BR}	85	-	-	V
Forward Voltage (Note 2)	$I_R = 100\mu\text{A}$	-	0.76	0.90	V
	$I_F = 1.0\text{mA}$	-	0.84	1.00	
	$I_F = 10\text{mA}$	-	0.92	1.10	
	$I_F = 150\text{mA}$	-	1.00	1.25	
Reverse Leakage Current (Note 2)	I_R	-	-	5.0	nA
		-	-	80	
Total Capacitance $V_R = 0\text{V}$, $f = 1.0\text{ MHz}$	Per Element	-	1.25	2.0	pF
	Data Line to Ground	-	2.0	6	
	Between Data Lines	-	3.0	7	
Reverse Recovery Time	t_{rr}	-	-	3.0	us

Note 2: Short duration test pulse to minimize self heating

ELECTRICAL CHARACTERISTIC CURVES (Each Diode)

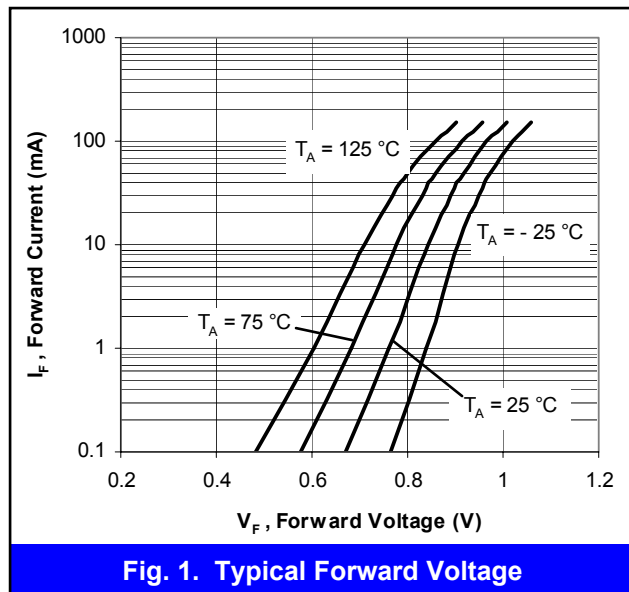


Fig. 1. Typical Forward Voltage

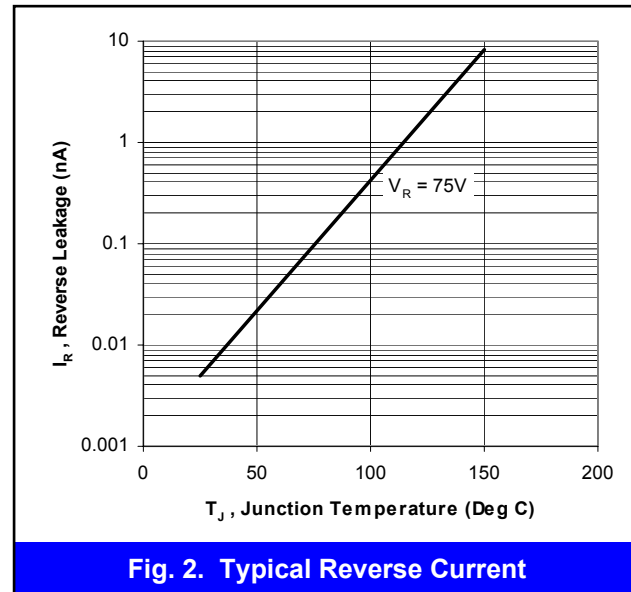
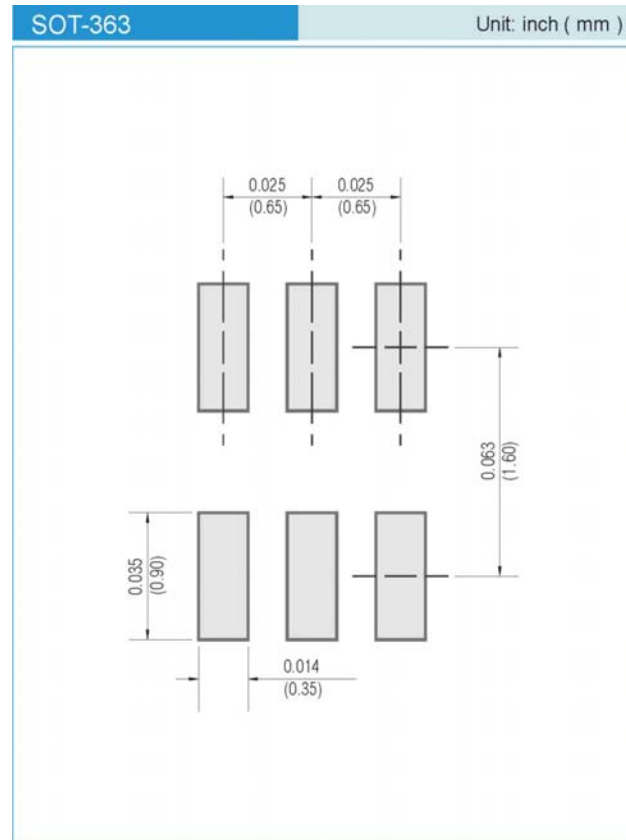
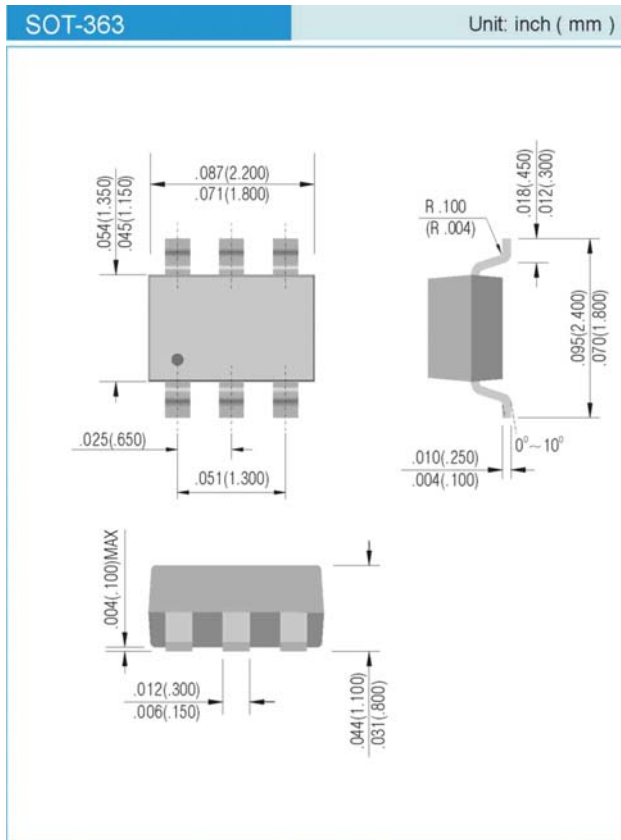


Fig. 2. Typical Reverse Current

PACKAGE LAYOUT AND SUGGESTED PAD DIMENSIONS



ORDERING INFORMATION

PJ3L85 T/R7 - 7 inch reel, 3K units per reel

PJ3L85 T/R13 - 13 inch reel, 10K units per reel

Copyright PanJit International, Inc 2005

The information presented in this document is believed to be accurate and reliable. The specifications and information herein are subject to change without notice. Pan Jit makes no warranty, representation or guarantee regarding the suitability of its products for any particular purpose. Pan Jit products are not authorized for use in life support devices or systems. Pan Jit does not convey any license under its patent rights or rights of others.