

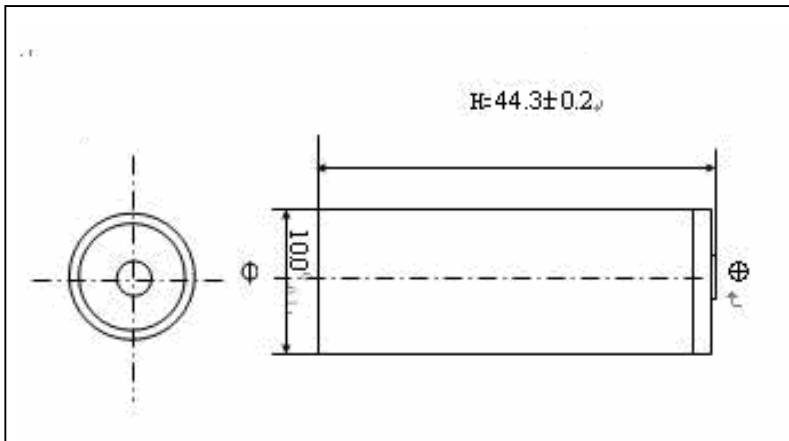


**AAA/1200mAh**

**FR10445**



■ **Dimensions in mm(not to scale)**



■ **Specifications**

Item	Specification
Size	AAA
Rated capacity(20mA)	1200mAh
Open circuit voltage	1.8V
Terminal voltage	0.8V
Weight	7.2±0.5g
Max continuous discharge current	600mA
Operation temperature	-20~+60°C
Storage Life	10 years (Max.)

■ **Discharge profile in varied temperature**

