

TOSHIBA CMOS Digital Integrated Circuit Silicon Monolithic

## TC74HC153AP, TC74HC153AF, TC74HC153AFN TC74HC253AP, TC74HC253AF, TC74HC253AFN

TC74HC153AP/AF/AFN Dual 4-Channel Multiplexer

TC74HC253AP/AF/AFN Dual 4-Channel Multiplexer with 3-State Output

Note: xxxFN (JEDEC SOP) is not available in Japan.

The TC74HC153A and TC74HC253A are high speed CMOS DUAL 4-CHANNEL MULTIPLEXERS fabricated with silicon gate C<sup>2</sup>MOS technology.

They achieve the high speed operation similar to equivalent LSTTL while maintaining the CMOS low power dissipation.

The TC74HC153A has standard outputs, while the TC74HC253A has 3-state outputs.

Input data (1C0~1C2, 2C0~2C3) are selected by the two address inputs, A and B.

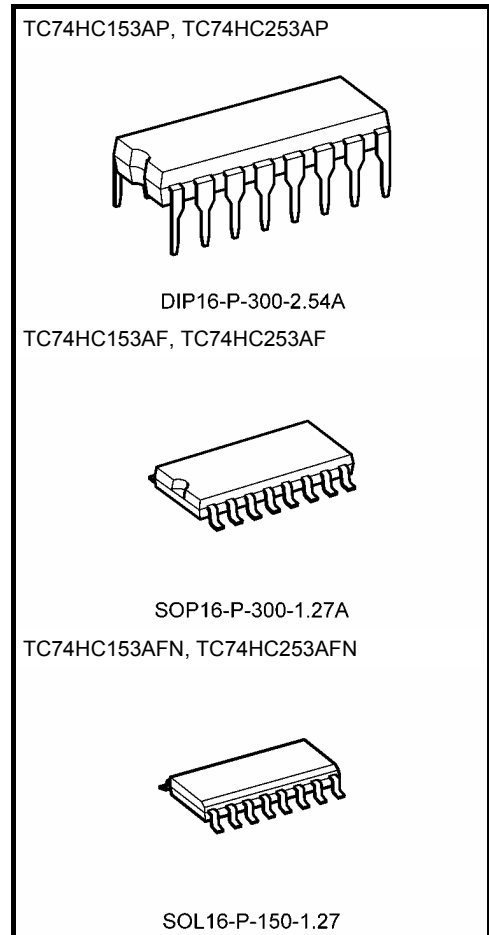
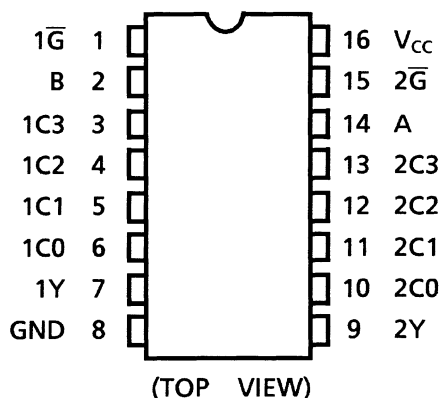
Separate strobe inputs ( $1\bar{G}$ ,  $2\bar{G}$ ) are provided for each of the two four-line sections. They can be used to inhibit the data outputs. The output of the HC153A is set low, and the HC253A output is set to the high impedance state, when the strobe inputs are low.

All inputs are equipped with protection circuits against static discharge or transient excess voltage.

### Features

- High speed:  $t_{pd} = 12 \text{ ns}$  (typ.) at  $V_{CC} = 5 \text{ V}$
- Low power dissipation:  $I_{CC} = 4 \mu\text{A}$  (max) at  $T_a = 25^\circ\text{C}$
- High noise immunity:  $V_{NIH} = V_{NIL} = 28\% V_{CC}$  (min)
- Output drive capability: 10 LSTTL loads
- Symmetrical output impedance:  $|I_{OH}| = I_{OL} = 4 \text{ mA}$  (min)
- Balanced propagation delays:  $t_{pLH} \approx t_{pHL}$
- Wide operating voltage range:  $V_{CC} (\text{opr}) = 2 \text{ to } 6 \text{ V}$
- Pin and function compatible with 74LS153, 74LS253

### Pin Assignment

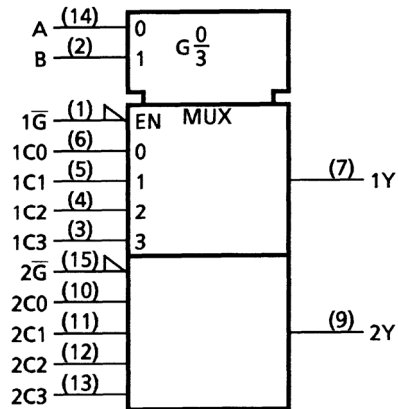


### Weight

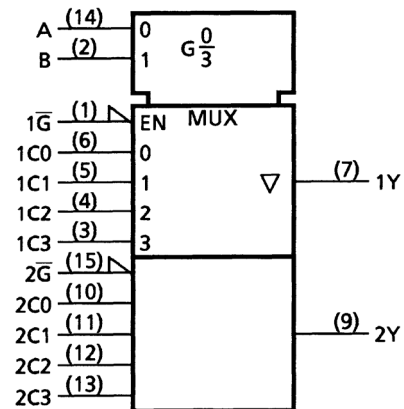
DIP16-P-300-2.54A	: 1.00 g (typ.)
SOP16-P-300-1.27A	: 0.18 g (typ.)
SOL16-P-150-1.27	: 0.13 g (typ.)

## IEC Logic Symbol

### TC74HC153A



### TC74HC253A



## Truth Table

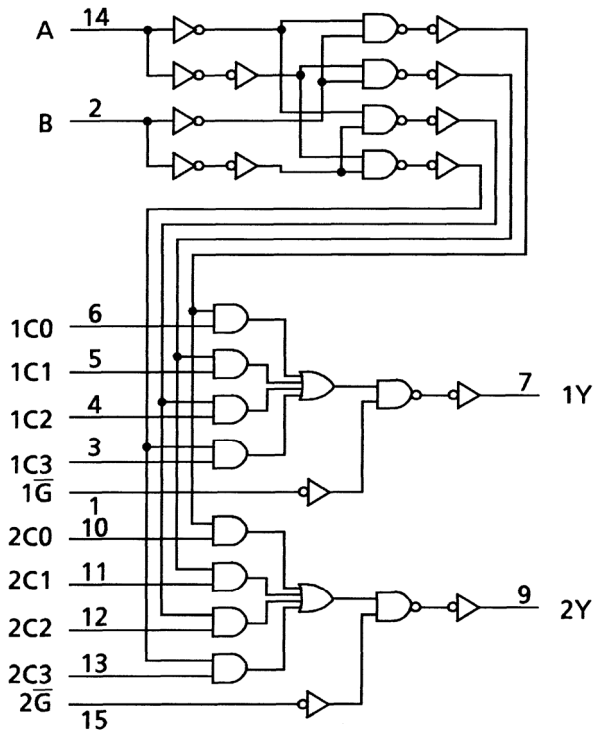
Select Inputs		Data Inputs				Strobe	Outputs Y	
B	A	C0	C1	C2	C3	$\bar{G}$	HC153A	HC253A
X	X	X	X	X	X	H	L	Z
L	L	L	X	X	X	L	L	L
L	L	H	X	X	X	L	H	H
L	H	X	L	X	X	L	L	L
L	H	X	H	X	X	L	H	H
H	L	X	X	L	X	L	L	L
H	L	X	X	H	X	L	H	H
H	H	X	X	X	L	L	L	L
H	H	X	X	X	H	L	H	H

X: Don't care

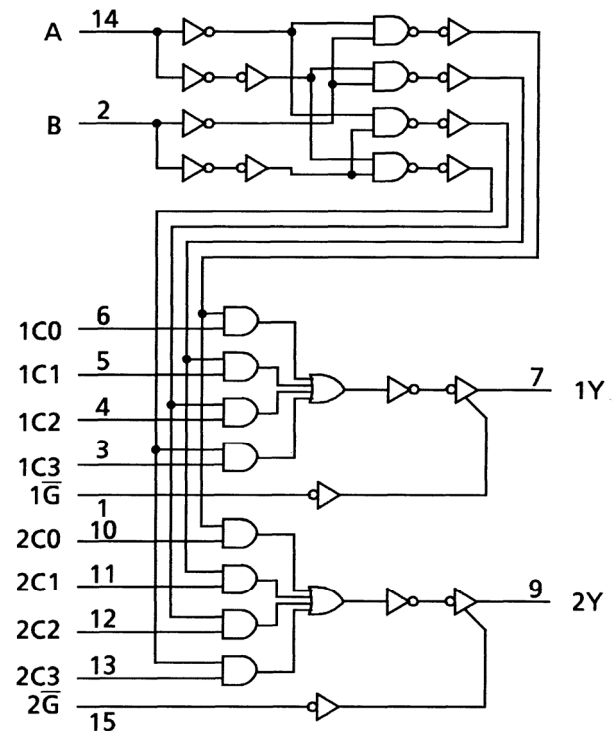
Z: High impedance

## System Diagram

### TC74HC153A



### TC74HC253A



## Absolute Maximum Ratings (Note 1)

Characteristics	Symbol	Rating	Unit
Supply voltage range	$V_{CC}$	-0.5 to 7	V
DC input voltage	$V_{IN}$	-0.5 to $V_{CC} + 0.5$	V
DC output voltage	$V_{OUT}$	-0.5 to $V_{CC} + 0.5$	V
Input diode current	$I_{IK}$	$\pm 20$	mA
Output diode current	$I_{OK}$	$\pm 20$	mA
DC output current	$I_{OUT}$	$\pm 25$	mA
DC $V_{CC}$ /ground current	$I_{CC}$	$\pm 50$	mA
Power dissipation	$P_D$	500 (DIP) (Note 2)/180 (SOP)	mW
Storage temperature	$T_{stg}$	-65 to 150	$^{\circ}C$

Note 1: Exceeding any of the absolute maximum ratings, even briefly, lead to deterioration in IC performance or even destruction.

Using continuously under heavy loads (e.g. the application of high temperature/current/voltage and the significant change in temperature, etc.) may cause this product to decrease in the reliability significantly even if the operating conditions (i.e. operating temperature/current/voltage, etc.) are within the absolute maximum ratings and the operating ranges.

Please design the appropriate reliability upon reviewing the Toshiba Semiconductor Reliability Handbook ("Handling Precautions"/"Derating Concept and Methods") and individual reliability data (i.e. reliability test report and estimated failure rate, etc).

Note 2: 500 mW in the range of  $T_a = -40$  to  $65^{\circ}C$ . From  $T_a = 65$  to  $85^{\circ}C$  a derating factor of  $-10$  mW/ $^{\circ}C$  shall be applied until 300 mW.

## Operating Ranges (Note)

Characteristics	Symbol	Rating	Unit
Supply voltage	$V_{CC}$	2 to 6	V
Input voltage	$V_{IN}$	0 to $V_{CC}$	V
Output voltage	$V_{OUT}$	0 to $V_{CC}$	V
Operating temperature	$T_{opr}$	-40~85	°C
Input rise and fall time	$t_r, t_f$	0 to 1000 ( $V_{CC} = 2.0$ V) 0 to 500 ( $V_{CC} = 4.5$ V) 0 to 400 ( $V_{CC} = 6.0$ V)	ns

Note: The operating ranges must be maintained to ensure the normal operation of the device. Unused inputs must be tied to either  $V_{CC}$  or GND.

## Electrical Characteristics

### DC Characteristics

Characteristics	Symbol	Test Condition	$T_a = 25^\circ\text{C}$			$T_a = -40 \text{ to } 85^\circ\text{C}$		Unit		
			$V_{CC}$ (V)	Min	Typ.	Max	Min		Max	
High-level input voltage	$V_{IH}$	—	2.0	1.50	—	—	1.50	—	V	
			4.5	3.15	—	—	3.15	—		
			6.0	4.20	—	—	4.20	—		
Low-level input voltage	$V_{IL}$	—	2.0	—	—	0.50	—	0.50	V	
			4.5	—	—	1.35	—	1.35		
			6.0	—	—	1.80	—	1.80		
High-level output voltage	$V_{OH}$	$V_{IN} = V_{IH} \text{ or } V_{IL}$	$I_{OH} = -20 \mu\text{A}$	2.0	1.9	2.0	—	1.9	—	V
				4.5	4.4	4.5	—	4.4	—	
			$I_{OH} = -4 \text{ mA}$ $I_{OH} = -5.2 \text{ mA}$	4.5	4.18	4.31	—	4.13	—	
				6.0	5.68	5.80	—	5.63	—	
Low-level output voltage	$V_{OL}$	$V_{IN} = V_{IH} \text{ or } V_{IL}$	$I_{OL} = 20 \mu\text{A}$	2.0	—	0.0	0.1	—	0.1	V
				4.5	—	0.0	0.1	—	0.1	
			$I_{OL} = 4 \text{ mA}$ $I_{OL} = 5.2 \text{ mA}$	4.5	—	0.17	0.26	—	0.33	
				6.0	—	0.18	0.26	—	0.33	
3-state output off-state current	$I_{OZ}$ (Note)	$V_{IN} = V_{IH} \text{ or } V_{IL}$ $V_{OUT} = V_{CC} \text{ or } \text{GND}$	6.0	—	—	$\pm 0.5$	—	$\pm 5.0$	$\mu\text{A}$	
Input leakage current	$I_{IN}$	$V_{IN} = V_{CC} \text{ or } \text{GND}$	6.0	—	—	$\pm 0.1$	—	$\pm 1.0$	$\mu\text{A}$	
Quiescent supply current	$I_{CC}$	$V_{IN} = V_{CC} \text{ or } \text{GND}$	6.0	—	—	4.0	—	40.0	$\mu\text{A}$	

Note: TC74HC253A only

## AC Characteristics (CL = 15 pF, VCC = 5 V, Ta = 25°C, input: tr = tf = 6 ns)

Characteristics	Symbol	Test Condition	Min	Typ.	Max	Unit
Output transition time	t <sub>TLH</sub> t <sub>THL</sub>	—	—	4	8	ns
Propagation delay time (Cn-Y)	t <sub>pLH</sub> t <sub>pHL</sub>	—	—	12	19	ns
Propagation delay time (A, B-Y)	t <sub>pLH</sub> t <sub>pHL</sub>	—	—	17	26	ns
Propagation delay time ( $\bar{G}$ -Y)  (Note 1)	t <sub>pLH</sub> t <sub>pHL</sub>	—	—	8	16	ns
3-state output enable time ( $\bar{G}$ -Y)  (Note 2)	t <sub>pZL</sub> t <sub>pZH</sub>	R <sub>L</sub> = 1 kΩ	—	9	16	ns

Note 1: For TC74HC153A only

Note 2: For TC74HC253A only

## AC Characteristics (C<sub>L</sub> = 50 pF, input: t<sub>r</sub> = t<sub>f</sub> = 6 ns)

Characteristics	Symbol	Test Condition	Ta = 25°C			Ta = -40 to 85°C		Unit	
			V <sub>CC</sub> (V)	Min	Typ.	Max	Min		Max
Output transition time	t <sub>TLH</sub> t <sub>THL</sub>	—	2.0	—	30	75	—	95	ns
			4.5	—	8	15	—	19	
			6.0	—	7	13	—	16	
Propagation delay time (Cn-Y)	t <sub>pLH</sub> t <sub>pHL</sub>	—	2.0	—	48	115	—	145	ns
			4.5	—	15	23	—	29	
			6.0	—	12	20	—	25	
Propagation delay time (A, B-Y)	t <sub>pLH</sub> t <sub>pHL</sub>	—	2.0	—	68	150	—	190	ns
			4.5	—	20	30	—	38	
			6.0	—	16	26	—	33	
Propagation delay time ( $\bar{G}$ -Y) (Note 2)	t <sub>pLH</sub> t <sub>pHL</sub>	—	2.0	—	31	95	—	120	ns
			4.5	—	11	19	—	24	
			6.0	—	9	16	—	20	
3-state output enable time ( $\bar{G}$ -Y) (Note 3)	t <sub>pZL</sub> t <sub>pZH</sub>	R <sub>L</sub> = 1 kΩ	2.0	—	36	100	—	125	ns
			4.5	—	12	20	—	25	
			6.0	—	9	17	—	21	
3-state output disable time ( $\bar{G}$ -Y) (Note 3)	t <sub>pLZ</sub> t <sub>pHZ</sub>	R <sub>L</sub> = 1 kΩ	2.0	—	22	115	—	145	ns
			4.5	—	13	23	—	29	
			6.0	—	11	20	—	25	
Input capacitance	C <sub>IN</sub>	—	—	5	10	—	10	pF	
Power dissipation capacitance	C <sub>PD</sub> (Note 1)	TC74HC153A	—	58	—	—	—	pF	
		TC74HC253A	—	59	—	—	—		

Note 1: C<sub>PD</sub> is defined as the value of the internal equivalent capacitance which is calculated from the operating current consumption without load.

Average operating current can be obtained by the equation:

$$I_{CC}(\text{opr}) = C_{PD} \cdot V_{CC} \cdot f_{IN} + I_{CC}$$

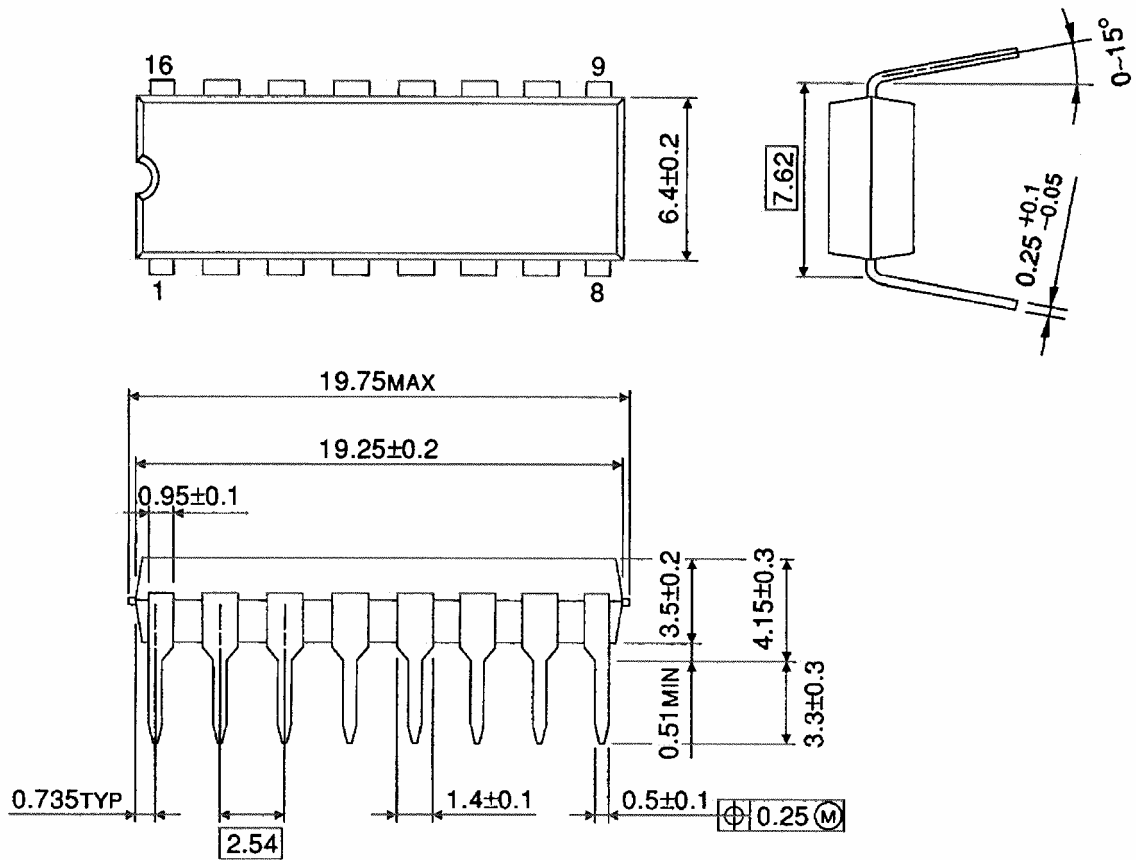
Note 2: For TC74HC153A only

Note 3: For TC74HC253A only

## Package Dimensions

DIP16-P-300-2.54A

Unit : mm

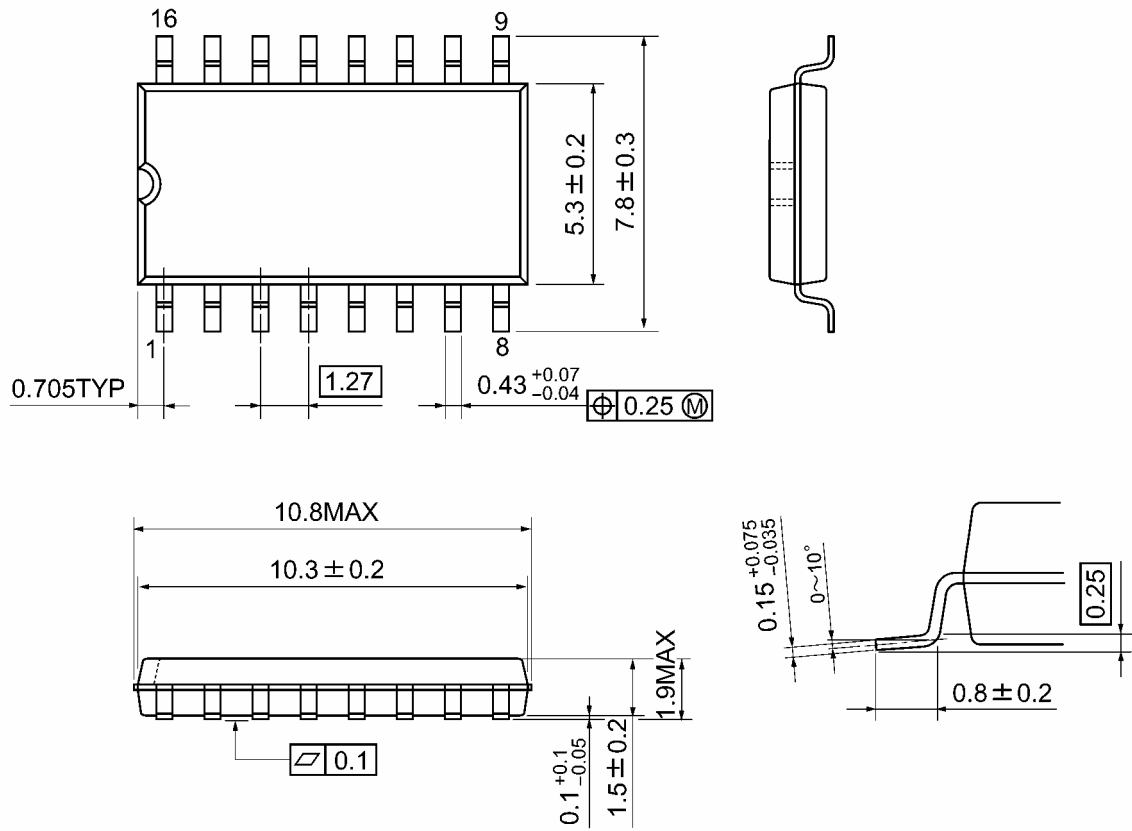


Weight: 1.00 g (typ.)

## Package Dimensions

SOP16-P-300-1.27A

Unit: mm



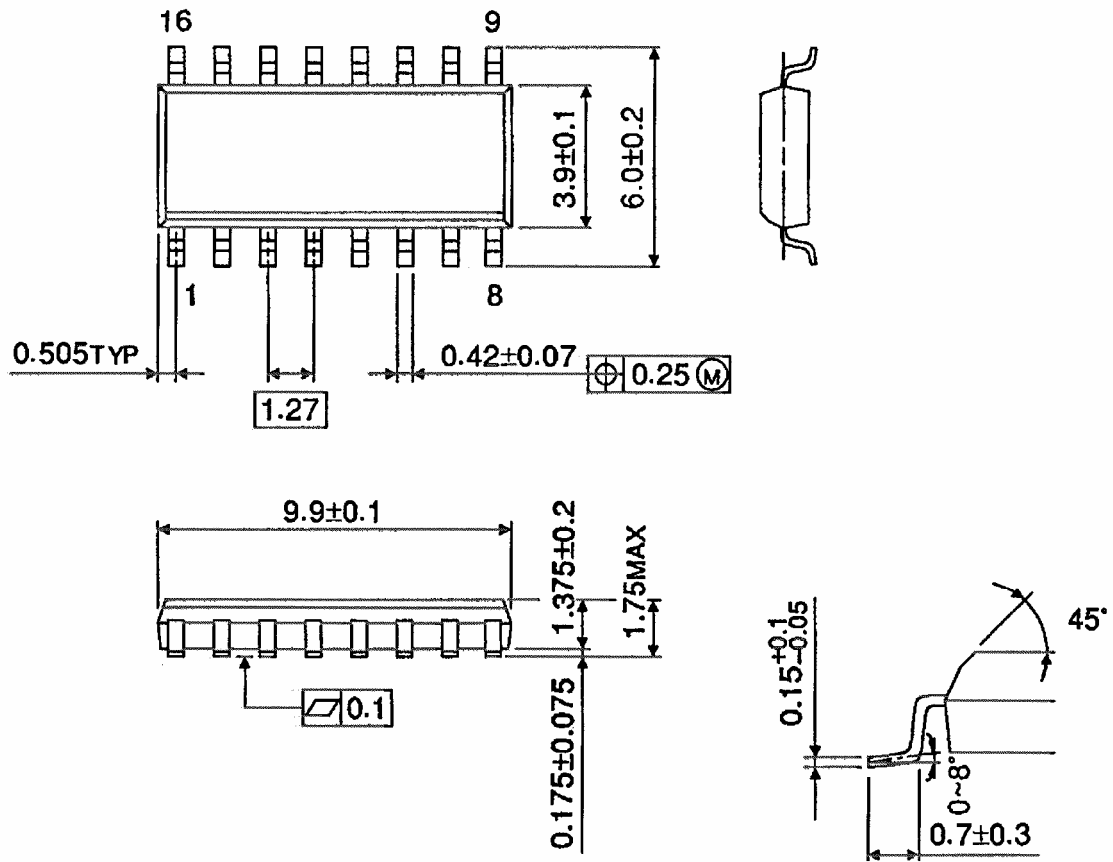
Weight: 0.18 g (typ.)



Package Dimensions (Note)

SOL16-P-150-1.27

Unit : mm



Note: This package is not available in Japan.

Weight: 0.13 g (typ.)

**RESTRICTIONS ON PRODUCT USE**

20070701-EN GENERAL

- The information contained herein is subject to change without notice.
- TOSHIBA is continually working to improve the quality and reliability of its products. Nevertheless, semiconductor devices in general can malfunction or fail due to their inherent electrical sensitivity and vulnerability to physical stress. It is the responsibility of the buyer, when utilizing TOSHIBA products, to comply with the standards of safety in making a safe design for the entire system, and to avoid situations in which a malfunction or failure of such TOSHIBA products could cause loss of human life, bodily injury or damage to property.  
In developing your designs, please ensure that TOSHIBA products are used within specified operating ranges as set forth in the most recent TOSHIBA products specifications. Also, please keep in mind the precautions and conditions set forth in the "Handling Guide for Semiconductor Devices," or "TOSHIBA Semiconductor Reliability Handbook" etc.
- The TOSHIBA products listed in this document are intended for usage in general electronics applications (computer, personal equipment, office equipment, measuring equipment, industrial robotics, domestic appliances, etc.). These TOSHIBA products are neither intended nor warranted for usage in equipment that requires extraordinarily high quality and/or reliability or a malfunction or failure of which may cause loss of human life or bodily injury ("Unintended Usage"). Unintended Usage include atomic energy control instruments, airplane or spaceship instruments, transportation instruments, traffic signal instruments, combustion control instruments, medical instruments, all types of safety devices, etc.. Unintended Usage of TOSHIBA products listed in this document shall be made at the customer's own risk.
- The products described in this document shall not be used or embedded to any downstream products of which manufacture, use and/or sale are prohibited under any applicable laws and regulations.
- The information contained herein is presented only as a guide for the applications of our products. No responsibility is assumed by TOSHIBA for any infringements of patents or other rights of the third parties which may result from its use. No license is granted by implication or otherwise under any patents or other rights of TOSHIBA or the third parties.
- Please contact your sales representative for product-by-product details in this document regarding RoHS compatibility. Please use these products in this document in compliance with all applicable laws and regulations that regulate the inclusion or use of controlled substances. Toshiba assumes no liability for damage or losses occurring as a result of noncompliance with applicable laws and regulations.