

Voltage Controlled Crystal Oscillator (VCXO)

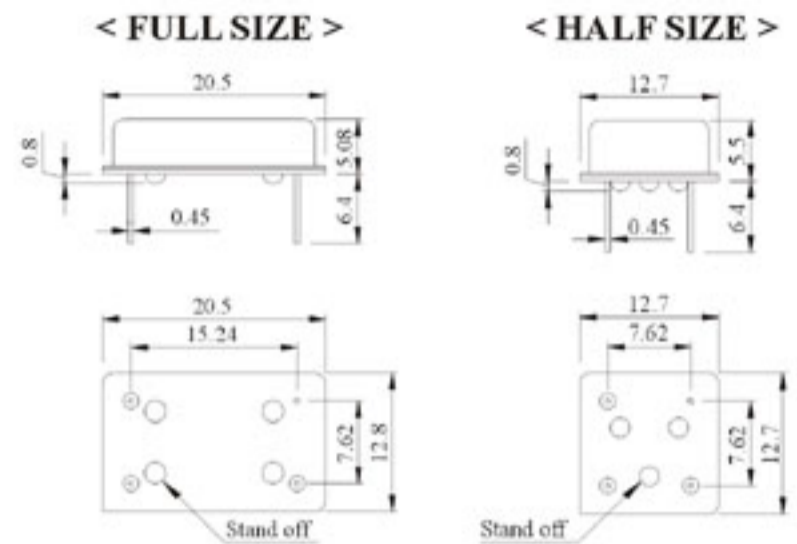
电压控制晶体振荡器

HIGH PULLING VCXO

- High speed CMOS
- High reliability and precision
- Set top box
- Communication system



DIMENSIONS(Unit:mm) 外形尺寸



PARAMETERS 技术参数 (FVO 12 Series)

ELECTRICAL SPECIFICATIONS	
Frequency Range 频率范围	1.000MHz to 50.000MHz
Frequency Stability 频率稳定度	± 25ppm    ± 50ppm    ± 100ppm (Standard) Inclusive of operating temperature range
Operating Temperature Range	0°C~+70°C
Storage Temperature Range	-40°C~+85°C
Input Voltage 输入电压	+5Vdc ± 0.5V    +3.3Vdc ± 0.3V
Input Current 输入电流	30mA max.    20mA max.
O/I Level O/I 电平	+0.5V max./+4.5V min.    +0.4V max./+3.0V min.
Pull Ability 压控范围	± 600ppm min. (Typical)    ± 400ppm min. (Typical) (At 2.5Volt 2V)    (At 1.65Volts 1.35V)
Linearity 线性度	± 30% max. (Typical)    ± 30% max. (Typical)
Symmetry 占空比	60/40% or 40/60% (Typical)
Rise & Fall time 上升时间/下降时间	10nS max.
Start up time 起振时间	10mS max.
Fan out 输出电压	15pF//10TTL
Aging (at 25 °C ) 老化率	± 5ppm / Year max.
ENVIRONMENTAL & MECHANICAL SPECIFICATIONS	
Shock 抗冲击性能	FIL-STD-883C, Method 2002, Condition B
Vibration 抗振性能	FIL-STD-883C, Method 2007, Condition A
Solderability 焊接性能	FIL-STD-883C, Method 2003
Seal Integrity 密封性能	FIL-STD-883C, Method 1014, Condition C & A2
Marking 标记	FIL-STD-883C, Method 215

PART NUMBER GUIDE 部件号示例

**F VO 12 A A H 3 A**

Frontier  
VCXO  
Model No.

Frequency Stability  
A=25ppm  
B=50ppm  
C=100ppm  
D=Customize

Temperature Range  
A=0°C~+70°C  
B=-20°C~+70°C  
C=-40°C~+85°C  
D=Customize

Package Type  
H=Half Size  
F=Full Size

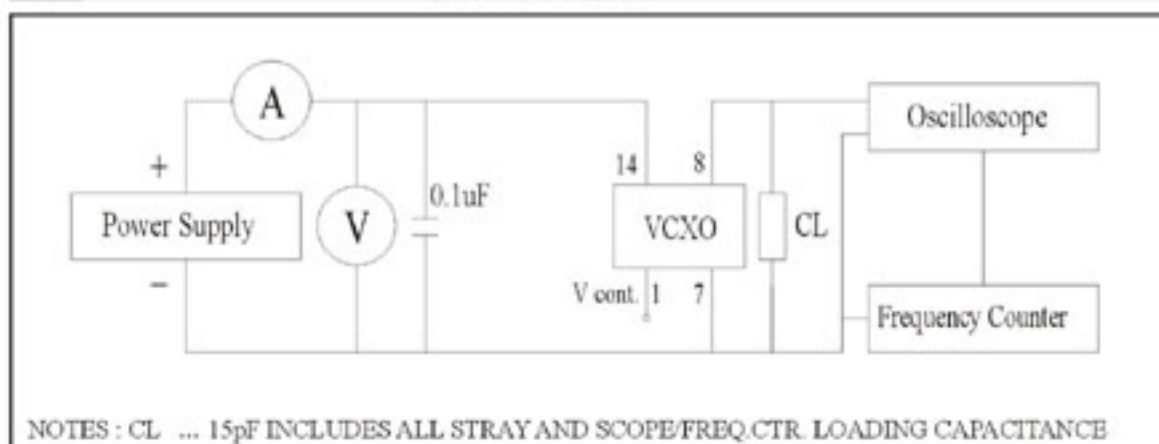
Input Voltage  
3-3.3Volt / 5-5.0Volt

Pulling Range

A	150ppm min.	F	400ppm min.
B	200ppm min.	G	450ppm min.
C	250ppm min.	H	500ppm min.
D	300ppm min.	I	550ppm min.
E	350ppm min.	J	600ppm min.

Specifications subjects to change without notice & if you need other specifications, please contact our factory.

TEST CIRCUIT 测试原理图



WAVE FORM 波形图

