

Image sensor heads for narrow-width scanners

IA2004-CE40A

The IA□□04-ME/CE series sensors, compatible with A6 size media, feature a dual-arch structure, allowing straight pass reading (both-directions). In addition, they are compact, measuring only 119.5mm in length.

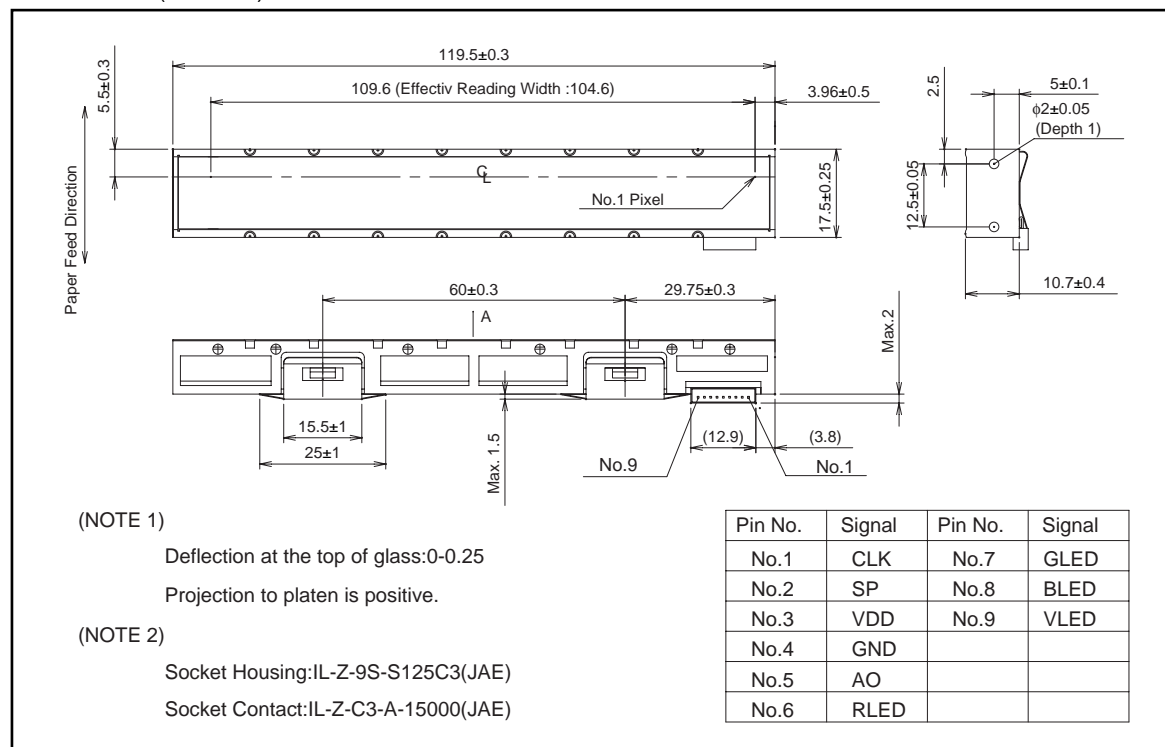
●Applications

Check readers, card scanners, and a variety of other image input devices.

●Features

- 1) Signal amplifier integrated into each sensor IC in order to eliminate external noise ; compatible with 3.3V interface.
- 2) LED light source mounted on the same substrate as the sensor chip itself, resulting in a more compact, lightweight package.
- 3) Proprietary prism maintains a uniform output signal.
- 4) Ceramic substrate used, ensuring excellent dimensional and thermal stability.

●Dimensions (Unit : mm)



Contact image sensor heads

●Characteristics

Parameter	Symbol	Typ.	Unit
Effective scanning width	–	104.6	mm
Primary scan dot density	–	200	dpi
Total dot number	–	864	dots
Power supply voltage	V _{DD}	5	V
Scanning speed	SLT	0.125×3	ms / line
Clock frequency	CLK	8	MHz
Maximum dynamic range	VRMax.	0.5	V
Minimum dynamic range	VRMin.	0.25	V
Dark output	V _{od}	1.2±0.4	V
Operating temperature	–	5 to 45	°C

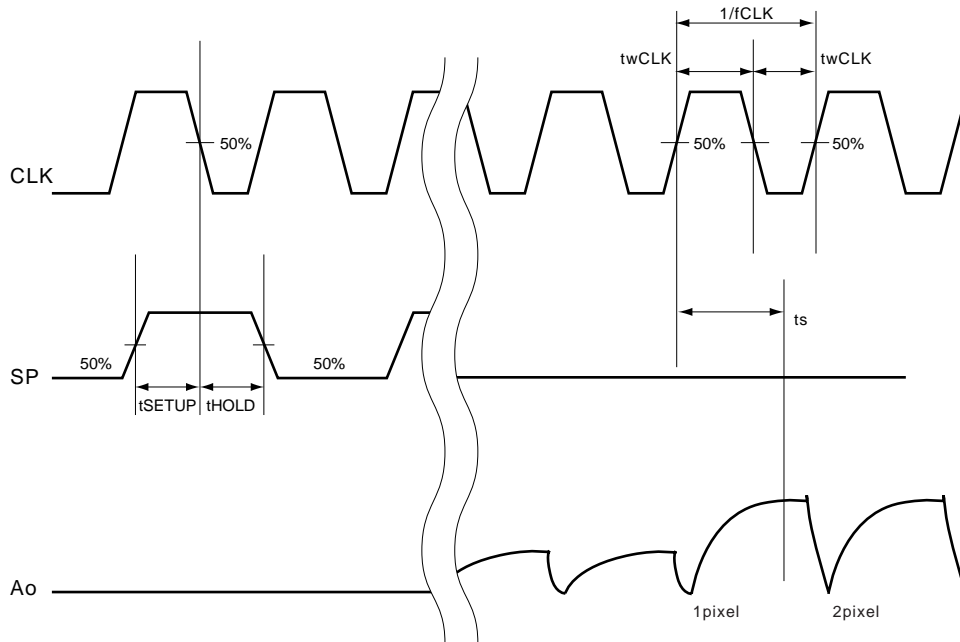
●Pin assignments

No.	Circuit	I / O	Functions
1	CLK	I	Clock
2	SP	I	Start Pulse
3	V _{DD}	I	Power Supply
4	GND	I	Ground
5	Ao	O	Analog Output
6	RLED	I	LED ground
7	GLED	I	LED ground
8	BLED	I	LED ground
9	VLED	I	LED power supply

Contact image sensor heads

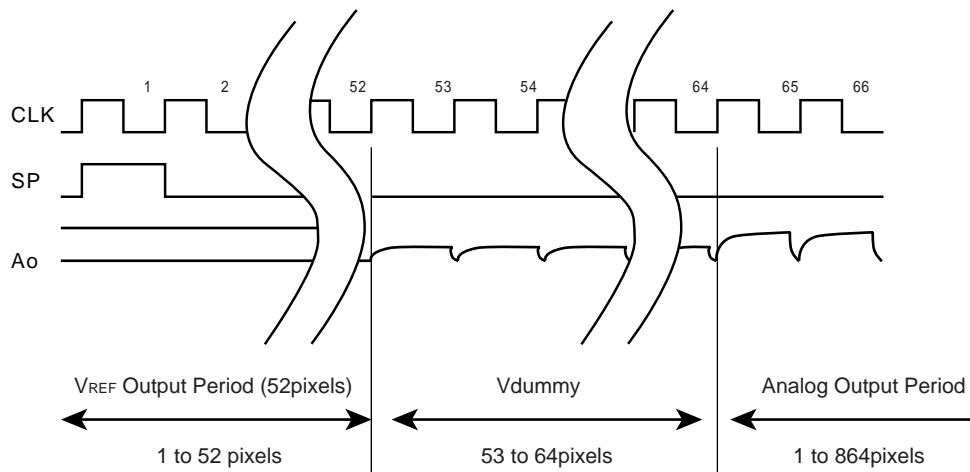
●Timing chart

(a) CLK Timing Chart



(b) Data Output Timing Chart

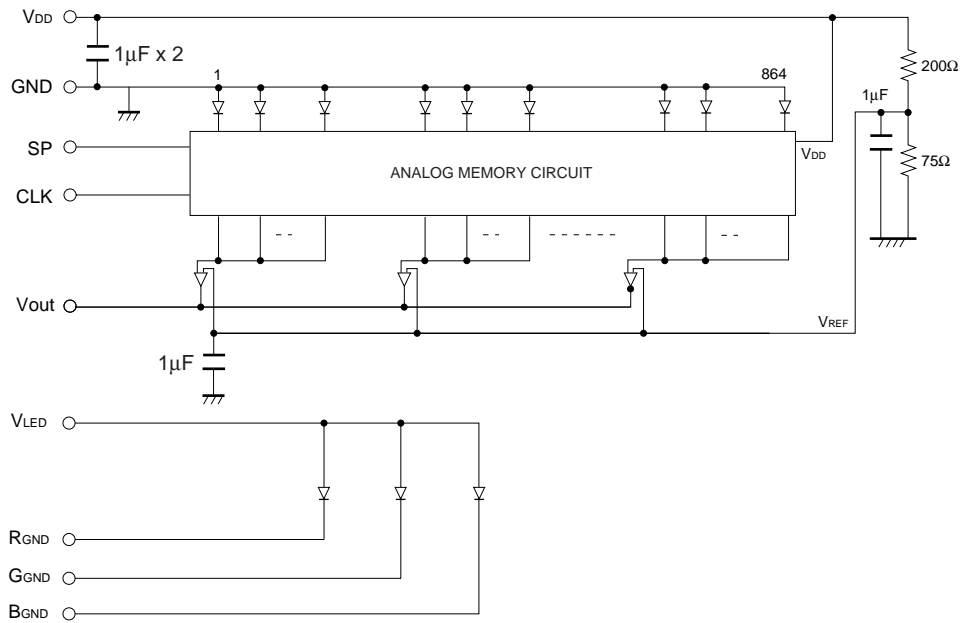
After turning on the SP pulse, the analog output shape starts from the setting up point of 65 clock pulse.



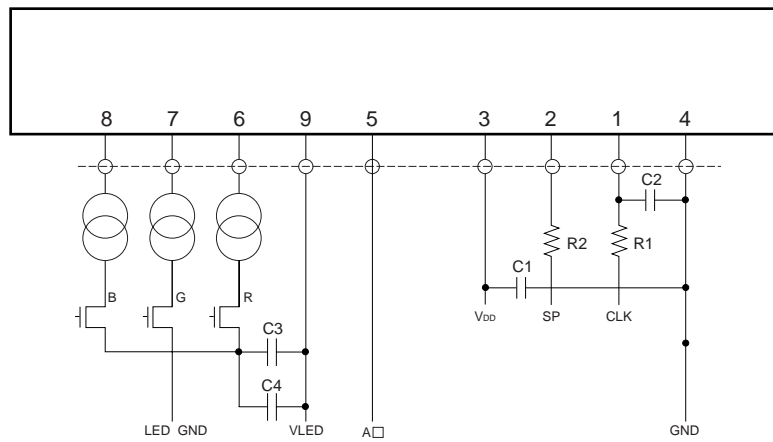
Note) Output blank part cannot be used as the analog output standard level.

Contact image sensor heads

●Equivalent circuit



●Peripheral circuit



* R1=R2=100Ω
 C1=47µF, C2=100pF
 C3=100µF, C4=0.1µF

* Please adjust the value of resistance to fit your interface circuit.

Notes

- No technical content pages of this document may be reproduced in any form or transmitted by any means without prior permission of ROHM CO.,LTD.
- The contents described herein are subject to change without notice. The specifications for the product described in this document are for reference only. Upon actual use, therefore, please request that specifications to be separately delivered.
- Application circuit diagrams and circuit constants contained herein are shown as examples of standard use and operation. Please pay careful attention to the peripheral conditions when designing circuits and deciding upon circuit constants in the set.
- Any data, including, but not limited to application circuit diagrams information, described herein are intended only as illustrations of such devices and not as the specifications for such devices. ROHM CO.,LTD. disclaims any warranty that any use of such devices shall be free from infringement of any third party's intellectual property rights or other proprietary rights, and further, assumes no liability of whatsoever nature in the event of any such infringement, or arising from or connected with or related to the use of such devices.
- Upon the sale of any such devices, other than for buyer's right to use such devices itself, resell or otherwise dispose of the same, no express or implied right or license to practice or commercially exploit any intellectual property rights or other proprietary rights owned or controlled by
- ROHM CO., LTD. is granted to any such buyer.
- Products listed in this document are no antiradiation design.

The products listed in this document are designed to be used with ordinary electronic equipment or devices (such as audio visual equipment, office-automation equipment, communications devices, electrical appliances and electronic toys).

Should you intend to use these products with equipment or devices which require an extremely high level of reliability and the malfunction of which would directly endanger human life (such as medical instruments, transportation equipment, aerospace machinery, nuclear-reactor controllers, fuel controllers and other safety devices), please be sure to consult with our sales representative in advance.

It is our top priority to supply products with the utmost quality and reliability. However, there is always a chance of failure due to unexpected factors. Therefore, please take into account the derating characteristics and allow for sufficient safety features, such as extra margin, anti-flammability, and fail-safe measures when designing in order to prevent possible accidents that may result in bodily harm or fire caused by component failure. ROHM cannot be held responsible for any damages arising from the use of the products under conditions out of the range of the specifications or due to non-compliance with the NOTES specified in this catalog.

Thank you for your accessing to ROHM product informations.

More detail product informations and catalogs are available, please contact your nearest sales office.

ROHM Customer Support System

THE AMERICAS / EUROPE / ASIA / JAPAN

www.rohm.com

Contact us : webmaster@rohm.co.jp