

TRSL-93120FG

3.3V / 1550 nm / 2.125 Gbps SFF LC SINGLE-MODE TRANSCEIVER

FEATURES

- | Duplex LC Single Mode Transceiver
- | Fibre Channel 2X / 1X SM-LC-L FC-PI Compliant
- | IEEE 802.3z Gigabit Ethernet 1000BASE-ZX Compliant
- | Small Form Factor, RJ-45 size, 2X5 pin Package
- | 1550 nm DFB LD Transmitter
- | 30 dB Link Power Budget at Least
- | Distance up to 120 km
- | AC/AC Coupled Signal Input / Output
- | LVTTL Transmitter Disable Input
- | LVTTL Signal Detection Output
- | Single +3.3 V Power Supply
- | 0 to 70°C Operation
- | Wave Solderable and Aqueous Washable
- | Class 1 Laser International Safety Standard IEC-60825 Compliant

DESCRIPTION

The TRSL-93120FG series single mode transceivers is small form factor, low power, high performance module for bi-directional serial optical data communications such as Fibre Channel 2X/1X SM-LC-L FC-PI and IEEE 802.3z Gigabit Ethernet 1000BASE-LX. This module is designed for single mode fiber and operates at a nominal wavelength of 1550 nm. A guaranteed minimum optical link budget of 30 dB is offered which can correspond to a link distance of over 120 km (assuming worst case fiber loss of 0.22 dB/km). The transmitter section uses a multiple quantum well 1550 nm DFB laser and is a class 1 laser compliant according to International Safety Standard IEC-60825. The receiver section uses an integrated InGaAs detector preamplifier (IDP) mounted in an optical header and a limiting post-amplifier IC. A LVPECL logic interface simplifies interface to external circuitry.

APPLICATIONS

- | ATM Switches and Routers
- | SONET / SDH Switch Infrastructure
- | XDSL Applications
- | Metro Edge Switching

LASER SAFETY

This single mode transceiver is a Class 1 laser product. It complies with IEC-60825 and FDA 21 CFR 1040.10 and 1040.11. The transceiver must be operated within the specified temperature and voltage limits. The optical ports of the module shall be terminated with an optical connector or with a dust plug.

ORDER INFORMATION

| P/No. | Bit Rate (Gb/s) | FC-PI | Distance (km) | Wavelength (nm) | Package | Temp. (°C) | TX Power (dBm) | RX Sens. (dBm) | RoHS Compliant |
|--------------|-----------------|---------|---------------|-----------------|---------|------------|----------------|----------------|----------------|
| TRSL-93120FG | 2.125/1.063 | 200/100 | 120 | 1550 DFB | 2X5 LC | 0 to 70 | 5 to 0 | -30 | Yes |

| Absolute Maximum Ratings | | | | | |
|--------------------------|--------|-----|-----|-------|--------------------------|
| Parameter | Symbol | Min | Max | Units | Notes |
| Storage Temperature | Tstg | -40 | 85 | °C | |
| Operating Temperature | Topr | 0 | 70 | °C | Air flow 1m/sec |
| Soldering Temperature | --- | | 260 | °C | 10 seconds on leads only |
| Power Supply Voltage | Vcc | 0 | 4.5 | V | |
| Input Voltage | --- | GND | Vcc | V | |
| Output Current | Iout | 0 | 30 | mA | |

| Recommended Operating Conditions | | | | | |
|----------------------------------|--------|------|------|------|----------------------|
| Parameter | Symbol | Min | Typ | Max | Units / Notes |
| Power Supply Voltage | Vcc | 3.13 | 3.3 | 3.47 | V |
| Operating Temperature | Topr | 0 | | 70 | °C / air flow 1m/sec |
| Data Rate | | 1063 | 2125 | | Mb/s |
| Power Supply Current | Icc | | 200 | 300 | mA |

| Transmitter Specifications (0°C < Topr < 70°C, 3.13V < Vcc < 3.47V) | | | | | | |
|---|-----------------------------------|-----------------------|------|-----------------|---------|--------------------|
| Parameter | Symbol | Min | Typ | Max | Units | Notes |
| Optical | | | | | | |
| Optical Transmit Power | Po | 0 | --- | 5 | dBm | 1 |
| Output Center Wavelength | λ | 1520 | 1550 | 1580 | nm | |
| Output Spectrum Width | $\Delta\lambda$ | --- | --- | 1 | nm | -20 dB Width |
| Side Mode Suppression Ratio | SMSR | 30 | | | dB | |
| Extinction Ratio | ER | 9 | | --- | dB | |
| Optical Modulation Amplitude (Peak-to-Peak) | OMA | 174 | | | μ W | FC-PI Standard |
| Optical Rise Time | t_r | | | 160 | ps | 20% to 80% Values |
| Optical Fall Time | t_f | | | 160 | ps | 20% to 80% Values |
| Relative Intensity Noise | RIN | | | -120 | dB/Hz | |
| Electrical | | | | | | |
| Data Input Current – Low | I _{IL} | -350 | | | μ A | |
| Data Input Current – High | I _{IH} | | | 350 | μ A | |
| Differential Input Voltage | V _{IH} - V _{IL} | 300 | | | mV | |
| Data Input Voltage – Low | V _{IL} - V _{CC} | -2.0 | | -1.58 | V | 2 |
| Data Input Voltage -- High | V _{IH} - V _{CC} | -1.1 | | -0.74 | V | 2 |
| Disable Input Voltage -- Low | V _{TDIS,L} | 0 | | 0.5 | V | TX Output Enabled |
| Disable Input Voltage -- High | V _{TDIS,H} | V _{CC} - 1.3 | | V _{CC} | V | TX Output Disabled |
| Shut Off Time for TxDis | t _{DIS} | | | 1 | ms | |

- Notes: 1. Output power is power coupled into a 9/125 μ m single mode fiber.
 2. These inputs are compatible with 10K, 10KH and 100K ECL and PECL inputs.

| Receiver Specifications (0°C < Topr < 70°C, 3.13V < Vcc < 3.47V) | | | | | | |
|--|-----------------------------------|------|-----|-------|-------|-------------------------|
| Parameter | Symbol | Min | Typ | Max | Units | Notes |
| Optical | | | | | | |
| Sensitivity @ 2.125 Gbps | Sen. 2X | --- | --- | -30 | dBm | 1 |
| Sensitivity @ 1.063 Gbps | Sen. 1X | --- | --- | -30 | dBm | 1 |
| Maximum Input Power | Pin | -9 | | --- | dBm | |
| Signal Detect -- Asserted | Pa | --- | --- | -30 | dBm | Transition: low to high |
| Signal Detect -- Deasserted | Pd | -45 | --- | --- | dBm | Transition: high to low |
| Signal detect -- Hysteresis | | 1.0 | --- | | dB | |
| Wavelength of Operation | | 1100 | --- | 1600 | nm | |
| Electrical | | | | | | |
| Data Output Voltage – Low | V _{OL} - V _{CC} | -2.0 | | -1.58 | V | 2 |
| Data Output Voltage – High | V _{OH} - V _{CC} | -1.1 | | -0.74 | V | 2 |
| Signal Detect Output Voltage -- Low | V _{OL} | | | 0.5 | V | |
| Signal Detect Output Voltage -- High | V _{OH} | 2.0 | | | V | |

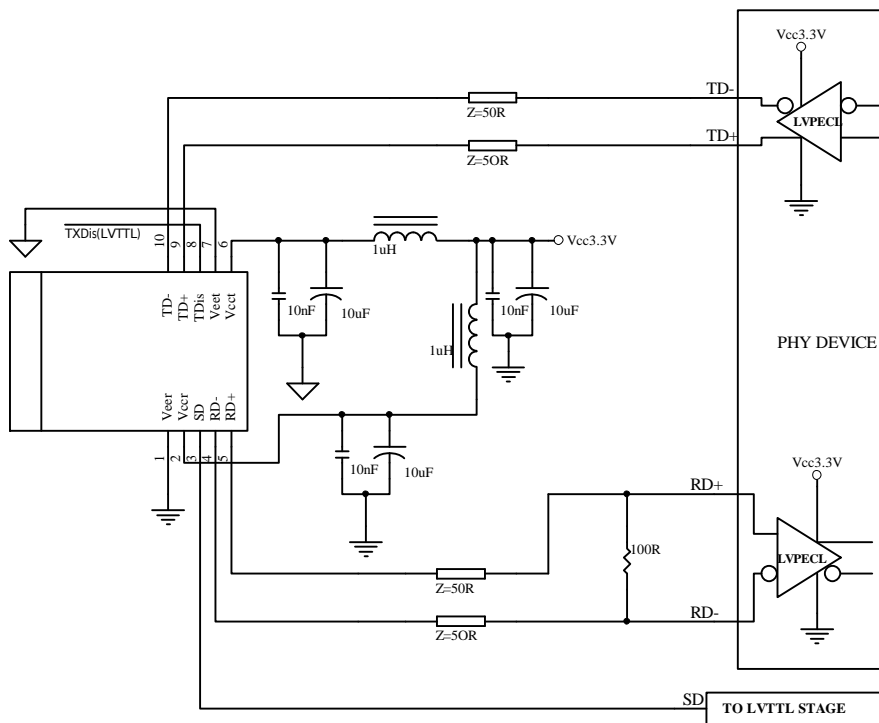
- Notes: 1. Minimum sensitivity and saturation levels at BER=1E-12 for a 2⁷-1 PRBS.
 2. These outputs are compatible with 10K, 10KH and 100K ECL and PECL outputs.

CONNECTION DIAGRAM



| PIN | Symbol | Notes |
|-----|-----------|---|
| 1 | V_{EEr} | Directly connect this pin to the receiver ground plane |
| 2 | V_{CCr} | +3.3V dc power for the receiver section |
| 3 | SD | Active high on this indicates a received optical signal. |
| 4 | RD- | Receiver Dataout Bar. See recommended circuit schematic |
| 5 | RD+ | Receiver Dataout. See recommended circuit schematic |
| 6 | V_{CCt} | +3.3V dc power for the transmitter section |
| 7 | V_{EEt} | Directly connect this plan to the transmitter ground plane |
| 8 | TDIs | Transmitter Disable. Connect this pin to +3.3V TTL logic "1" to disable module To enable module connect to TTL logic low "0" |
| 9 | TD+ | Transmitter Data In. See recommended circuit schematic |
| 10 | TD- | Transmitter Data In Bar. See recommended circuit schematic |
| MS | MS | Mounting Studs. Connect to Chassis Ground |

RECOMMENDED CIRCUIT SCHEMATIC

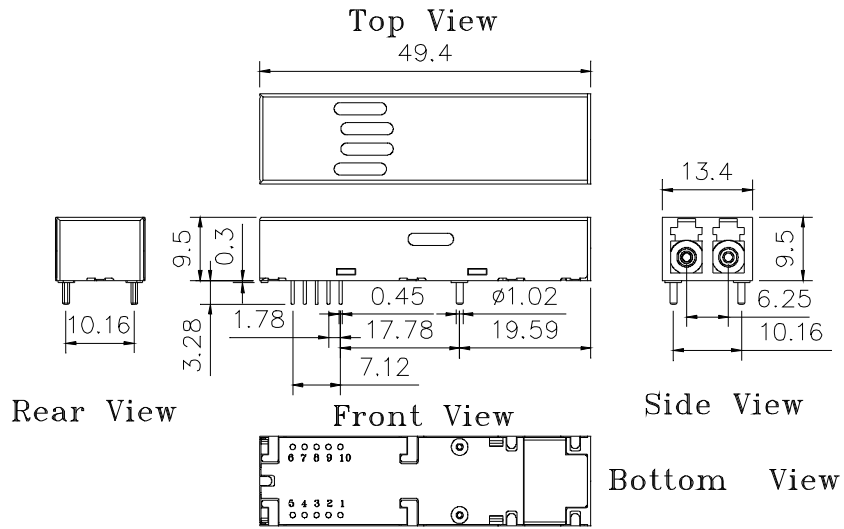


- Note: 1. TX input is terminated inside the module.
 2. Veer and Veet are not internally connected to each other.
 3. 50 Ω line pattern and component placements on TD+/TD- and RD+/RD- lines shall be symmetrical for better impedance matching.

PACKAGE DIAGRAM

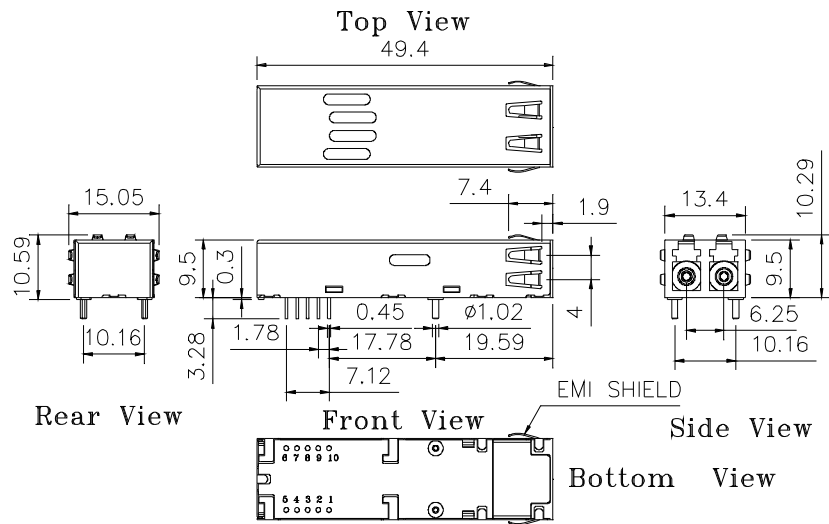
Units in mm

1) Standard Case



TRSL-93120FG

2) Extended Case



TRSL-93120FEG

Note: Specifications subject to change without notice.