

# VSC7965

## PON Integrated 155 Mbps to 1.25 Gbps Burst-mode Laser Driver and Limiting Amplifier



### APPLICATIONS:

- ▶ BPON, GE-PON, GPON burst-mode laser driver

### SPECIFICATIONS:

- ▶ Package size: 5 mm x 5 mm QFN
- ▶ Maximum modulation = 80 mA
- ▶ Typical core power = 330 mW
- ▶ Operating temperature range = -40 °C to 100 °C

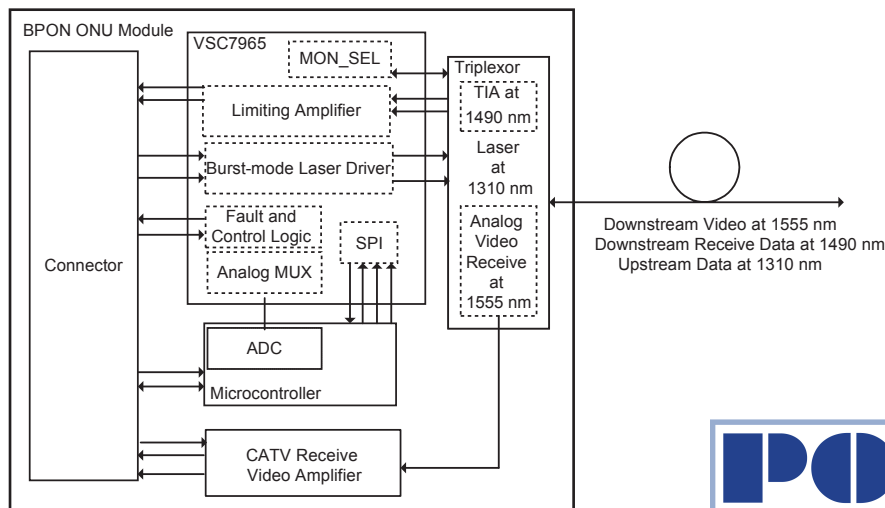
### FEATURES:

- ▶ APC loop requires no initialization phase
- ▶ VSC7965 meets the specification for BPON, GE-PON, and GPON
- ▶ Burst enable input supports LVPECL, LVDS, and LVTTTL output levels
- ▶ Selectable resistance on monitor diode input
- ▶ Laser driver crossing point control
- ▶ Built-in eye safety support

### BENEFITS:

- ▶ Laser driver is ready to transmit upon power up
- ▶ Allows the VSC7965 to be used in both PON and SFP module solutions
- ▶ Allows PON module to interoperate with multiple upstream devices
- ▶ Improves accuracy of the monitor diode input by allowing the user to select the resistance and capacitance in the input
- ▶ Enables the user to adjust the level of the crossing point on the laser driver output
- ▶ No external components are required to meet IEC-60825 eye safety specifications

### APPLICATION DIAGRAM:



# VSC7965

## PON Integrated Burst-mode Laser Driver and Limiting Amplifier

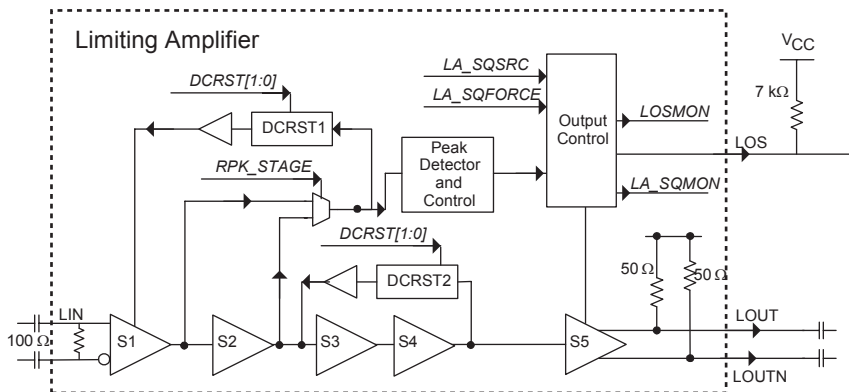
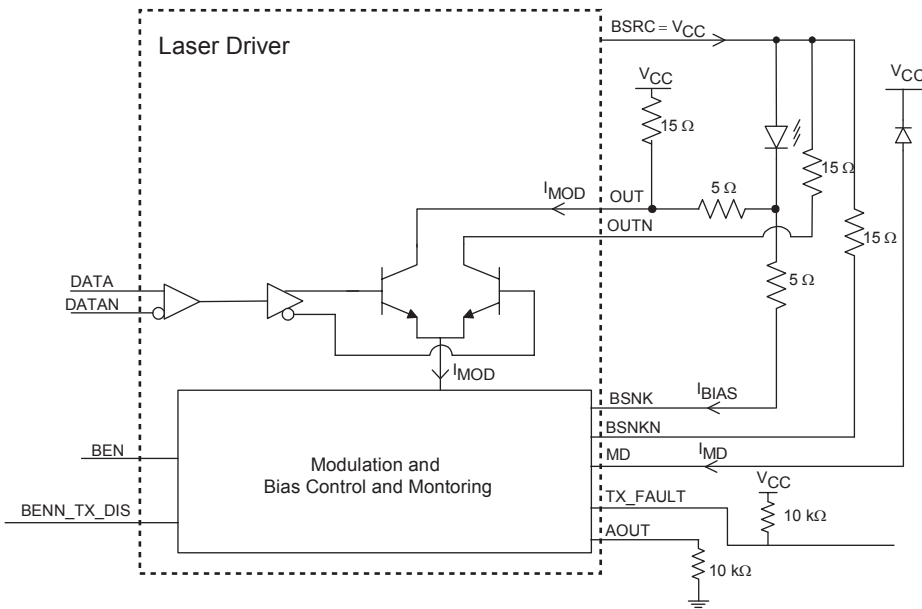
### GENERAL DESCRIPTION:



The VSC7965 is a multirate 1.25 Gbps integrated laser driver and limiting amplifier for Passive Optical Network applications optimized to reduce module cost. The device is intended to drive distributed feedback (DFB) and Fabry Perot (FP) lasers. A standard SPI port is provided for programming integrated digital-to-analog converters for laser bias current, modulation

current, average power, and the limiting amplifier loss of signal threshold. The VSC7965 is equipped with SFP-compliant fault indicators, redundant disable control, Automatic Power Control, temperature sensor, various signal monitors, and robust eye safety features. The VSC7965 is available in a 5mm x 5mm 32-pin QFN plastic package.

### BLOCK DIAGRAMS:



### Trademarks™

Vitesse, ASIC-Friendly, FibreTimer, TimeStream, Snoop Loop, Super FEC, FOCUSConnect, Meigs-II, Meigs-IIe, Lansing, Campbell-I, Barrington, PaceMaker, HOVCAT48, HOVCAT48e, HOVCAT192, HOVCAT192e, Micro PHY, FOCUS32, FOCUS16, IQ2200, NexSAS, VersaCAT, GigaStream, HawX, SparX, StaX, VstaX, SimpliPHY, VeriPHY, ActiPHY, XFP PRO, SFP PRO, Smart-LINK, OctalMAC, EQ Technology are trademarks in the United States and/or other jurisdictions of Vitesse Semiconductor Corporation. All other trademarks or registered trademarks mentioned herein are the property of their respective holders.

### Copyright © 2005–2006

Vitesse Semiconductor Corporation ("Vitesse") retains the right to make changes to its products or specifications to improve performance, reliability or manufacturability. All information in this document, including descriptions of features, functions, performance, technical specifications and availability, is subject to change without notice at any time. While the information furnished herein is held to be accurate and reliable, no responsibility will be assumed by Vitesse for its use. Furthermore, the information contained herein does not convey to the purchaser of microelectronic devices any license under the patent right of any manufacturer.

741 Calle Plano  
Camarillo, CA 93012, USA  
Tel: +1 805.388.3700  
Fax: +1 805.987.5896  
www.vitesse.com  
sales@vitesse.com