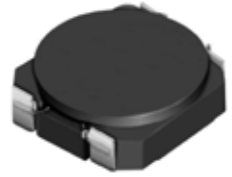
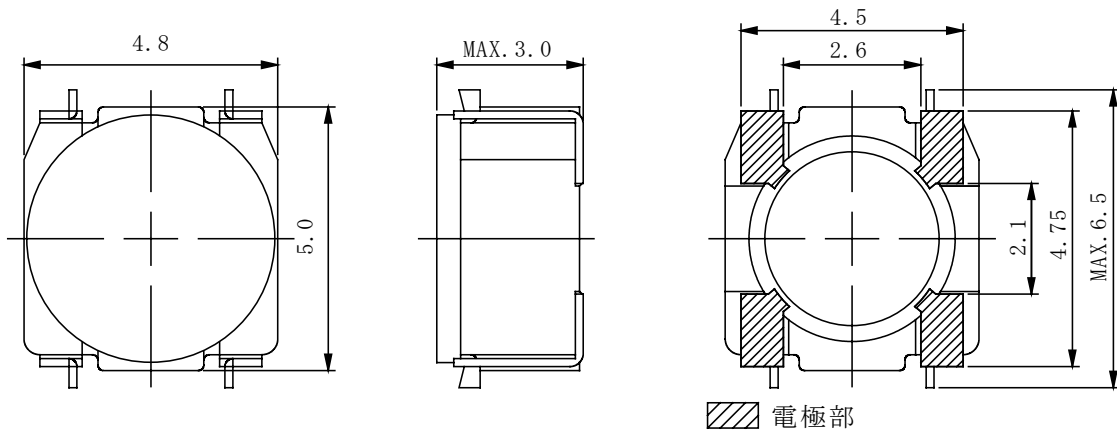
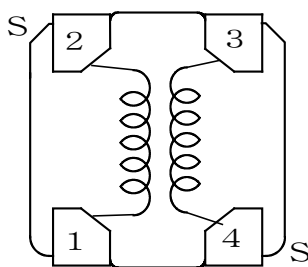


Type: CLS4D28
◆ Product Description

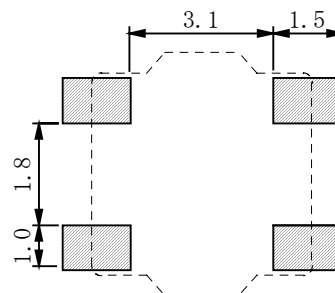
- 6.5×4.8 mm Max.(L×W), 3.0mm Max. Height.
- 4 Terminal pins' type gives a flexible design as inductors or transformers (SEPIC,ZETA circuit).
- Custom design is available.


◆ Feature

- Magnetically shielded construction.
- Max. Operating frequency 1MHz, Max. Operating power 2.5W.
- Ideally used in the power supply for DSC, Note PC, DVC and W-LED backlight.
- RoHS Compliance

◆ Dimensions (mm)

◆ Schematics (Bottom)


“ S ” indicates winding start.

◆ Land Pattern (mm)


Type: CLS4D28
◆ Specification

Part No.	Stamp	Inductance [Within]	Saturation Current (A) (at 20°C)※1				Temperature Rise current (A) ※2	
			(1,4-2,3)		(2-3) (1,4 Short)		(1,4-2,3)	(2-3) (1,4 Short)
			at20°C	at100°C	at20°C	at100°C		
CLS4D28NP-1R1N□	A	1.1 μH±30%	2.50	1.80	1.25	0.90	3.30	1.80
CLS4D28NP -1R5N□	B	1.5μH±30%	2.10	1.50	1.05	0.80	2.80	1.50
CLS4D28NP -2R2N□	C	2.2μH±30%	1.80	1.35	0.90	0.70	2.40	1.20
CLS4D28NP -3R5N□	D	3.5μH±30%	1.40	1.10	0.70	0.54	2.10	1.00
CLS4D28NP -5R2N□	E	5.2μH±30%	1.20	0.90	0.60	0.45	1.80	0.88
CLS4D28NP -6R8N□	F	6.8μH±30%	1.00	0.80	0.50	0.40	1.50	0.72
CLS4D28NP -100N□	G	10μH±30%	0.85	0.60	0.42	0.32	1.30	0.63
CLS4D28NP -150N□	H	15μH±30%	0.65	0.50	0.34	0.25	1.10	0.52
CLS4D28NP -220N□	J	22μH±30%	0.55	0.42	0.28	0.20	0.95	0.43
CLS4D28NP -330N□	K	33μH±30%	0.45	0.32	0.22	0.16	0.80	0.36
CLS4D28NP -470N□	L	47μH±30%	0.40	0.28	0.18	0.14	0.75	0.32

※ Description Of Part Name

CLS4D28NP -1R1N□

- B Box
- C Carrier Tape

※1. Saturation Current: The DC current at which the inductance decreases to 90% of it's nominal value.

※2. Temperature rise current: The DC current at which the temperature rise is $\Delta t=40^{\circ}\text{C}$. ($T_a=20^{\circ}\text{C}$).