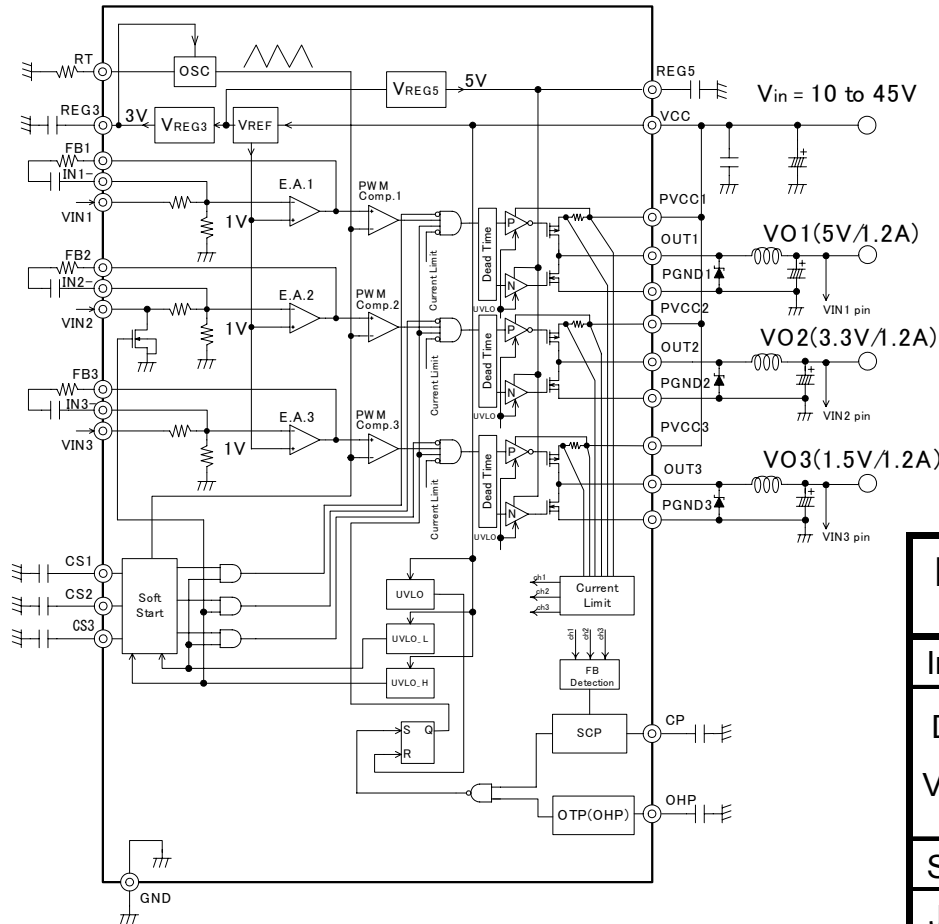


FA7726/7730

Features

3ch-IC Brock Diagram and application example



1. Wide Input Voltage Range : 10 to 45V
2. 75 to 85% High Efficiency is achieved by using internal power MOSFETs with synchronized rectifier.
3. Low Operating Current : 3.5mA
4. Protection : Current Limit of power MOSFET, Each channel soft start, Timer Latched Protection for Short Current and Over Temperature

Brief Specification

Item	Characteristics	
	3ch FA7726F	2ch FA7730F
Input Voltage Range	10 to 45V	
DC Output Voltage / Current	5.0V/1.2A	5.0V, 1.5V Selectable
	3.3V/1.2A	1.2A Output
	1.5V/1.2A	3.3V/1.2A
Switching Frequency	40k to 200kHz	
Junction Temperature	-20 to 150 degree	

FA7726/7730

DC-to-DC Converter Data

DC/DC 3 Outputs Condition

