

TOSHIBA CMOS Digital Integrated Circuit Silicon Monolithic

# TC4538BP, TC4538BF

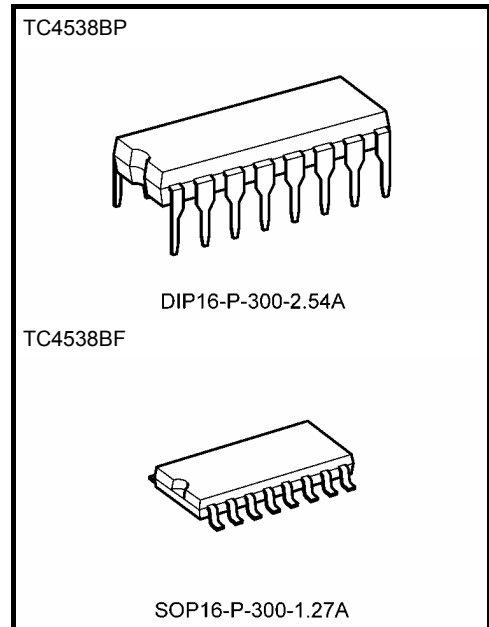
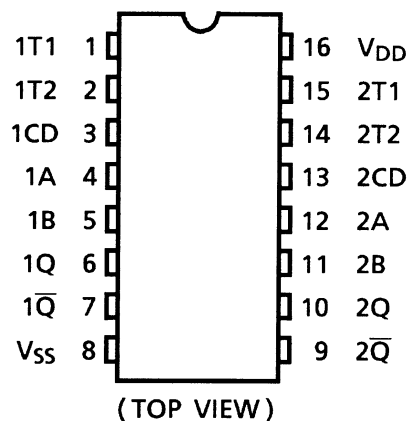
## TC4538BP/TC4538BF Dual Precision Retriggerable/Resettable Monostable Multivibrator

The TC4538BP/BF is the retriggerable/resettable monostable multivibrator and the trigger operation can be made at either the leading or trailing edge by 2 inputs of A and B. Since the output monostable pulse width is decided by time constant of the external resistor (RX) and the external capacitor (CX), it becomes possible to set a broad range of output pulse widths.

### Features

- $t_{wOUT} = 10 \text{ ms} \pm 5\%$  (at  $R_X = 100 \text{ k}\Omega$   $C_X = 0.1 \mu\text{F}$ ,  $V_{DD} = 10 \text{ V}$ )

### Pin Assignment



Weight  
 DIP16-P-300-2.54A : 1.00 g (typ.)  
 SOP16-P-300-1.27A : 0.18 g (typ.)

### Truth Table (Note)

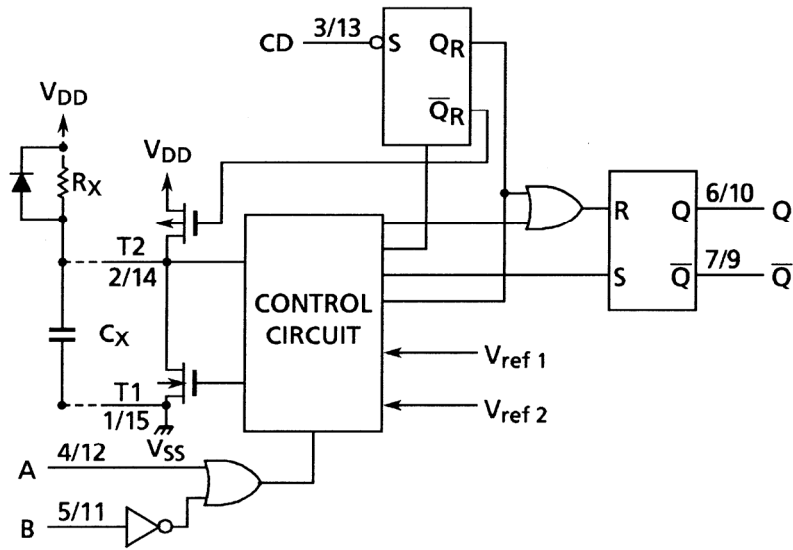
Inputs			Outputs		Note
A	B	CD	Q	Q̄	
	H	H			Output Enable
	L	H	L	H	Inhibit
H		H	L	H	Inhibit
L		H			Output Enable
*	*	L	L	H	Inhibit

\*: Don't care

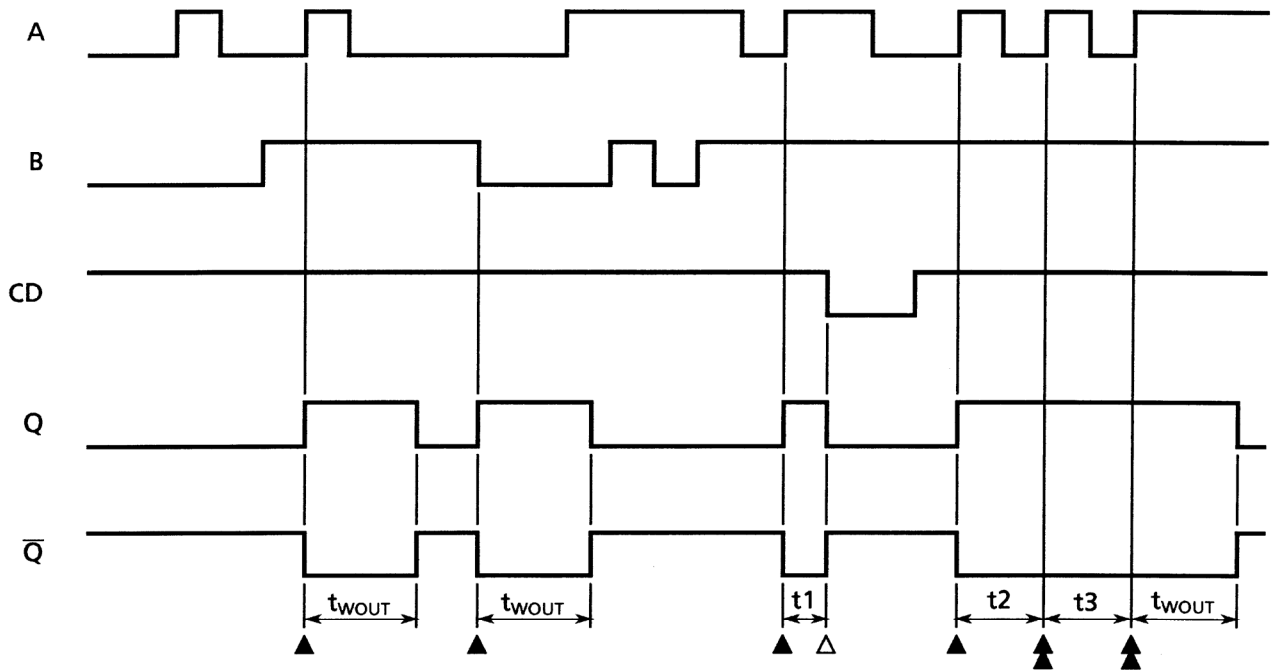
Note: In the case of using only one circuit, CD should be tied to GND, T<sub>2</sub>, T<sub>1</sub>, Q, Q̄ should be tied to OPEN, and the other inputs should be tied to V<sub>CC</sub> or GND.

## Logic Diagram

1/2 TC4538BP/BF



## Timing Chart



- ▲ : TRIGGER
- ▲▲ : RETRIGGER
- △ : RESET

$$t_{WOUT} = C_X \cdot R_X$$

$$t_1 \cdot t_2 \cdot t_3 ; t_1 \cdot t_2 \cdot t_3 < t_{WOUT}$$

## Absolute Maximum Ratings (Note)

Characteristics	Symbol	Rating	Unit
DC supply voltage	$V_{DD}$	$V_{SS} - 0.5$ to $V_{SS} + 20$	V
Input voltage	$V_{IN}$	$V_{SS} - 0.5$ to $V_{DD} + 0.5$	V
Output voltage	$V_{OUT}$	$V_{SS} - 0.5$ to $V_{DD} + 0.5$	V
DC input current	$I_{IN}$	$\pm 10$	mA
Power dissipation	$P_D$	300 (DIP)/180 (SOIC)	mW
Operating temperature range	$T_{opr}$	-40 to 85	°C
Storage temperature range	$T_{stg}$	-65 to 150	°C

Note: Exceeding any of the absolute maximum ratings, even briefly, lead to deterioration in IC performance or even destruction.

Using continuously under heavy loads (e.g. the application of high temperature/current/voltage and the significant change in temperature, etc.) may cause this product to decrease in the reliability significantly even if the operating conditions (i.e. operating temperature/current/voltage, etc.) are within the absolute maximum ratings and the operating ranges.

Please design the appropriate reliability upon reviewing the Toshiba Semiconductor Reliability Handbook ("Handling Precautions"/"Derating Concept and Methods") and individual reliability data (i.e. reliability test report and estimated failure rate, etc).

## Operating Ranges ( $V_{SS} = 0$ V) (Note)

Characteristics	Symbol	Test Condition	Min	Typ.	Max	Unit
DC supply voltage	$V_{DD}$	—	3	—	18	V
Input voltage	$V_{IN}$	—	0	—	$V_{DD}$	V
External resistance	$R_X$	—	5	—	1000	$k\Omega$
External capacitance	$C_X$	—	No limits			$\mu F$

Note: The operating ranges must be maintained to ensure the normal operation of the device. Unused inputs must be tied to either  $V_{DD}$  or  $V_{SS}$ .

## Static Electrical Characteristics (V<sub>SS</sub> = 0 V)

Characteristics	Sym- bol	Test Condition	V <sub>DD</sub> (V)	-40°C		25°C			85°C		Unit	
				Min	Max	Min	Typ.	Max	Min	Max		
High-level output voltage	V <sub>OH</sub>	I <sub>OUT</sub>   < 1 μA V <sub>IN</sub> = V <sub>SS</sub> , V <sub>DD</sub>	5	4.95	—	4.95	5.00	—	4.95	—	V	
			10	9.95	—	9.95	10.00	—	9.95	—		
			15	14.95	—	14.95	15.00	—	14.95	—		
Low-level output voltage	V <sub>OL</sub>	I <sub>OUT</sub>   < 1 μA V <sub>IN</sub> = V <sub>SS</sub> , V <sub>DD</sub>	5	—	0.05	—	0.00	0.05	—	0.05	V	
			10	—	0.05	—	0.00	0.05	—	0.05		
			15	—	0.05	—	0.00	0.05	—	0.05		
Output high current	I <sub>OH</sub>	V <sub>OH</sub> = 4.6 V V <sub>OH</sub> = 2.5 V V <sub>OH</sub> = 9.5 V V <sub>OH</sub> = 13.5 V V <sub>IN</sub> = V <sub>SS</sub> , V <sub>DD</sub>	5	-0.61	—	-0.51	-1.0	—	-0.42	—	mA	
			5	-2.50	—	-2.10	-4.0	—	-1.70	—		
			10	-1.50	—	-1.30	-2.2	—	-1.10	—		
			15	-4.00	—	-3.40	-9.0	—	-2.80	—		
Output low current	I <sub>OL</sub>	V <sub>OL</sub> = 0.4 V V <sub>OL</sub> = 0.5 V V <sub>OL</sub> = 1.5 V V <sub>IN</sub> = V <sub>SS</sub> , V <sub>DD</sub>	5	0.61	—	0.51	1.5	—	0.42	—	mA	
			10	1.50	—	1.30	3.8	—	1.10	—		
			15	4.00	—	3.40	15.0	—	2.80	—		
Input high voltage	V <sub>IH</sub>	V <sub>OUT</sub> = 0.5 V, 4.5 V V <sub>OUT</sub> = 1.0 V, 9.0 V V <sub>OUT</sub> = 1.5 V, 13.5 V  I <sub>OUT</sub>   < 1 μA	5	3.5	—	3.5	2.75	—	3.5	—	V	
			10	7.0	—	7.0	5.50	—	7.0	—		
			15	11.0	—	11.0	8.25	—	11.0	—		
Input low voltage	V <sub>IL</sub>	V <sub>OUT</sub> = 0.5 V, 4.5 V V <sub>OUT</sub> = 1.0 V, 9.0 V V <sub>OUT</sub> = 1.5 V, 13.5 V  I <sub>OUT</sub>   < 1 μA	5	—	1.5	—	2.25	1.5	—	1.5	V	
			10	—	3.0	—	4.50	3.0	—	3.0		
			15	—	4.0	—	6.75	4.0	—	4.0		
Input current	"H" level	I <sub>IH</sub>	V <sub>IH</sub> = 18 V	18	—	0.1	—	10 <sup>-5</sup>	0.1	—	1.0	μA
	"L" level	I <sub>IL</sub>	V <sub>IL</sub> = 0 V	18	—	-0.1	—	-10 <sup>-5</sup>	-0.1	—	-1.0	
Quiescent supply current	I <sub>DD</sub>	V <sub>IN</sub> = V <sub>SS</sub> , V <sub>DD</sub> (Note)	5	—	5	—	0.005	5	—	150	μA	
			10	—	10	—	0.010	10	—	300		
			15	—	20	—	0.015	20	—	600		

Note: All valid input combinations.

## Dynamic Electrical Characteristics (Ta = 25°C, VSS = 0 V, CL = 50 pF)

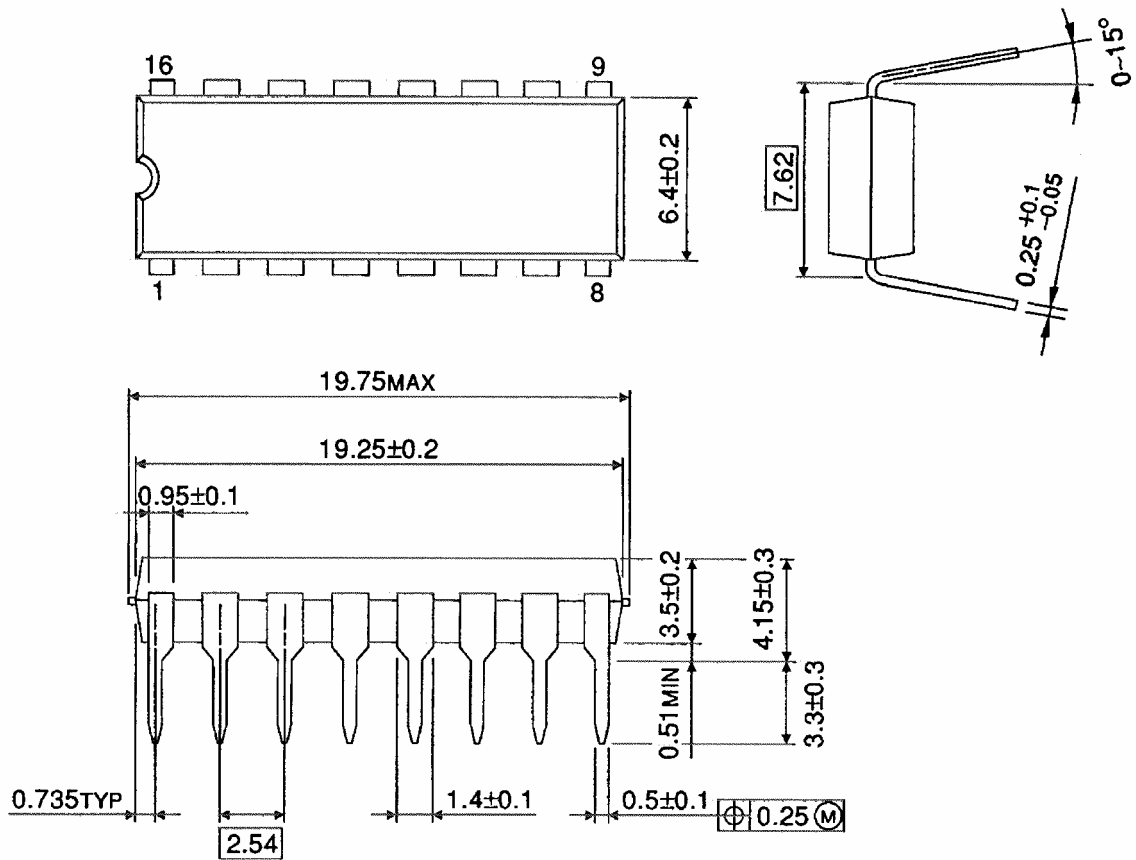
Characteristics	Symbol	Test Condition	VDD (V)	Min	Typ.	Max	Unit
Output transition time (low to high)	t <sub>TLH</sub>	—	5	—	80	200	ns
			10	—	50	100	
			15	—	40	80	
Output transition time (high to low)	t <sub>THL</sub>	—	5	—	80	200	ns
			10	—	50	100	
			15	—	40	80	
Propagation delay time (A, B-Q, $\bar{Q}$ )	t <sub>pLH</sub> t <sub>pHL</sub>	—	5	—	380	760	ns
			10	—	150	300	
			15	—	100	220	
Propagation delay time (CD-Q, $\bar{Q}$ )	t <sub>pLH</sub> t <sub>pHL</sub>	—	5	—	280	560	ns
			10	—	110	250	
			15	—	75	190	
Min input pulse width (A, B)	t <sub>WH</sub> t <sub>WL</sub>	—	5	—	60	120	ns
			10	—	30	60	
			15	—	25	50	
Min pulse width (CD)	t <sub>WL</sub>	—	5	—	95	190	ns
			10	—	45	90	
			15	—	35	70	
Min retrigger time	t <sub>rr</sub>	—	5	—	0	—	ns
			10	—	0	—	
			15	—	0	—	
Output pulse width	t <sub>wOUT</sub>	R <sub>X</sub> = 100 kΩ C <sub>X</sub> = 0.002 μF	5	—	206	—	μs
			10	—	204	—	
			15	—	205	—	
		R <sub>X</sub> = 100 kΩ C <sub>X</sub> = 0.1 μF	5	9.30	9.95	10.40	ms
			10	9.50	10.00	10.50	
			15	9.55	10.05	10.65	
		R <sub>X</sub> = 100 kΩ C <sub>X</sub> = 10 μF	5	—	0.98	—	s
			10	—	1.00	—	
			15	—	1.01	—	
Pulse width match between circuits in the same package	Δt <sub>wOUT</sub>	$\frac{t_{wOUT}(Q2) - t_w(Q1)}{t_{wOUT}(Q1)} \times 100$	5	—	±1	—	%
			10	—	±1	—	
			15	—	±1	—	
Input capacitance	C <sub>IN</sub>	—	—	5	7.5	pF	



## Package Dimensions

DIP16-P-300-2.54A

Unit : mm

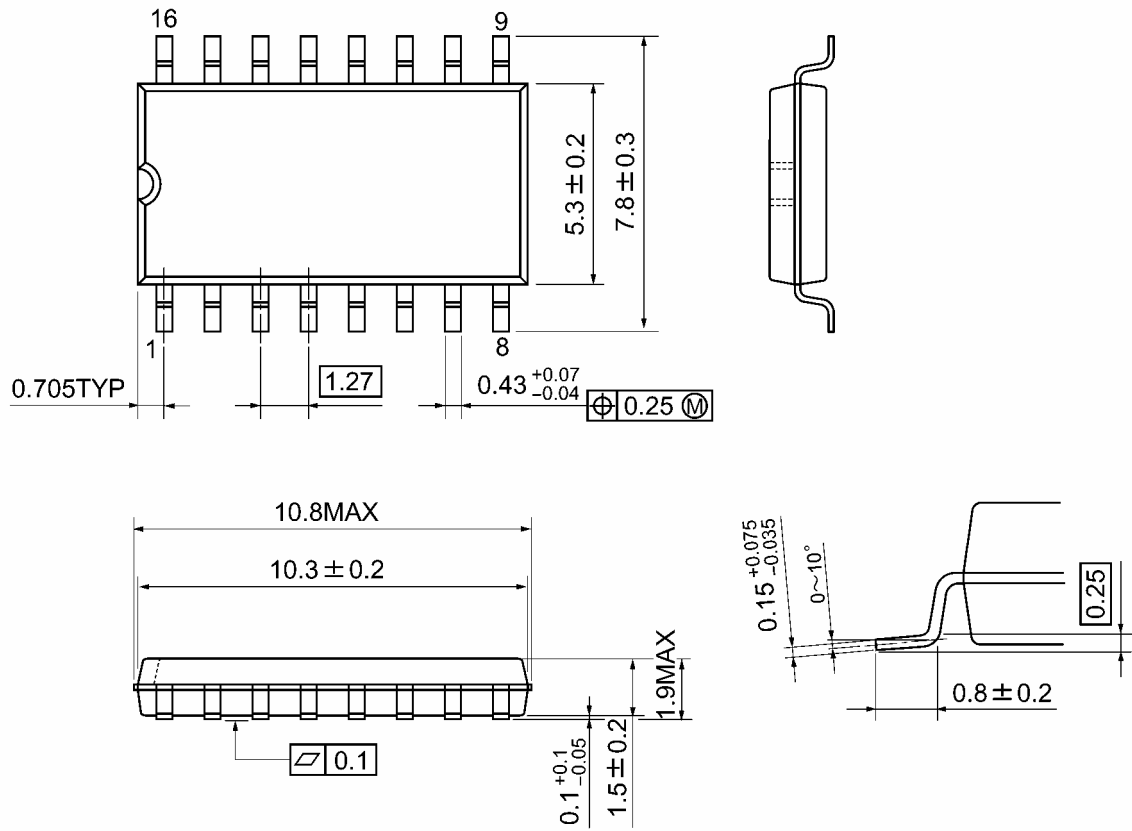


Weight: 1.00 g (typ.)

## Package Dimensions

SOP16-P-300-1.27A

Unit: mm



Weight: 0.18 g (typ.)



**RESTRICTIONS ON PRODUCT USE**

20070701-EN GENERAL

- The information contained herein is subject to change without notice.
- TOSHIBA is continually working to improve the quality and reliability of its products. Nevertheless, semiconductor devices in general can malfunction or fail due to their inherent electrical sensitivity and vulnerability to physical stress. It is the responsibility of the buyer, when utilizing TOSHIBA products, to comply with the standards of safety in making a safe design for the entire system, and to avoid situations in which a malfunction or failure of such TOSHIBA products could cause loss of human life, bodily injury or damage to property.  
In developing your designs, please ensure that TOSHIBA products are used within specified operating ranges as set forth in the most recent TOSHIBA products specifications. Also, please keep in mind the precautions and conditions set forth in the "Handling Guide for Semiconductor Devices," or "TOSHIBA Semiconductor Reliability Handbook" etc.
- The TOSHIBA products listed in this document are intended for usage in general electronics applications (computer, personal equipment, office equipment, measuring equipment, industrial robotics, domestic appliances, etc.). These TOSHIBA products are neither intended nor warranted for usage in equipment that requires extraordinarily high quality and/or reliability or a malfunction or failure of which may cause loss of human life or bodily injury ("Unintended Usage"). Unintended Usage include atomic energy control instruments, airplane or spaceship instruments, transportation instruments, traffic signal instruments, combustion control instruments, medical instruments, all types of safety devices, etc.. Unintended Usage of TOSHIBA products listed in this document shall be made at the customer's own risk.
- The products described in this document shall not be used or embedded to any downstream products of which manufacture, use and/or sale are prohibited under any applicable laws and regulations.
- The information contained herein is presented only as a guide for the applications of our products. No responsibility is assumed by TOSHIBA for any infringements of patents or other rights of the third parties which may result from its use. No license is granted by implication or otherwise under any patents or other rights of TOSHIBA or the third parties.
- Please contact your sales representative for product-by-product details in this document regarding RoHS compatibility. Please use these products in this document in compliance with all applicable laws and regulations that regulate the inclusion or use of controlled substances. Toshiba assumes no liability for damage or losses occurring as a result of noncompliance with applicable laws and regulations.