



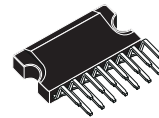
TDA7496SSA

5W+5W AMPLIFIER

PRODUCT PREVIEW

- 5+5W OUTPUT POWER
 $R_L = 8\Omega @THD = 10\% V_{CC} = 22V$
- ST-BY AND MUTE FUNCTIONS
- LOW TURN-ON TURN-OFF POP NOISE
- NO BOUCHEROT CELL
- NO ST_BY RC INPUT NETWORK
- SINGLE SUPPLY RANGING UP TO 35V
- SHORT CIRCUIT PROTECTION
- THERMAL OVERLOAD PROTECTION
- INTERNALLY FIXED GAIN
- SOFT CLIPPING
- CLIPWATT 15 PACKAGE

MULTIPOWER BI50II TECHNOLOGY



Clipwatt 15
ORDERING NUMBER: TDA7496SSA

DESCRIPTION

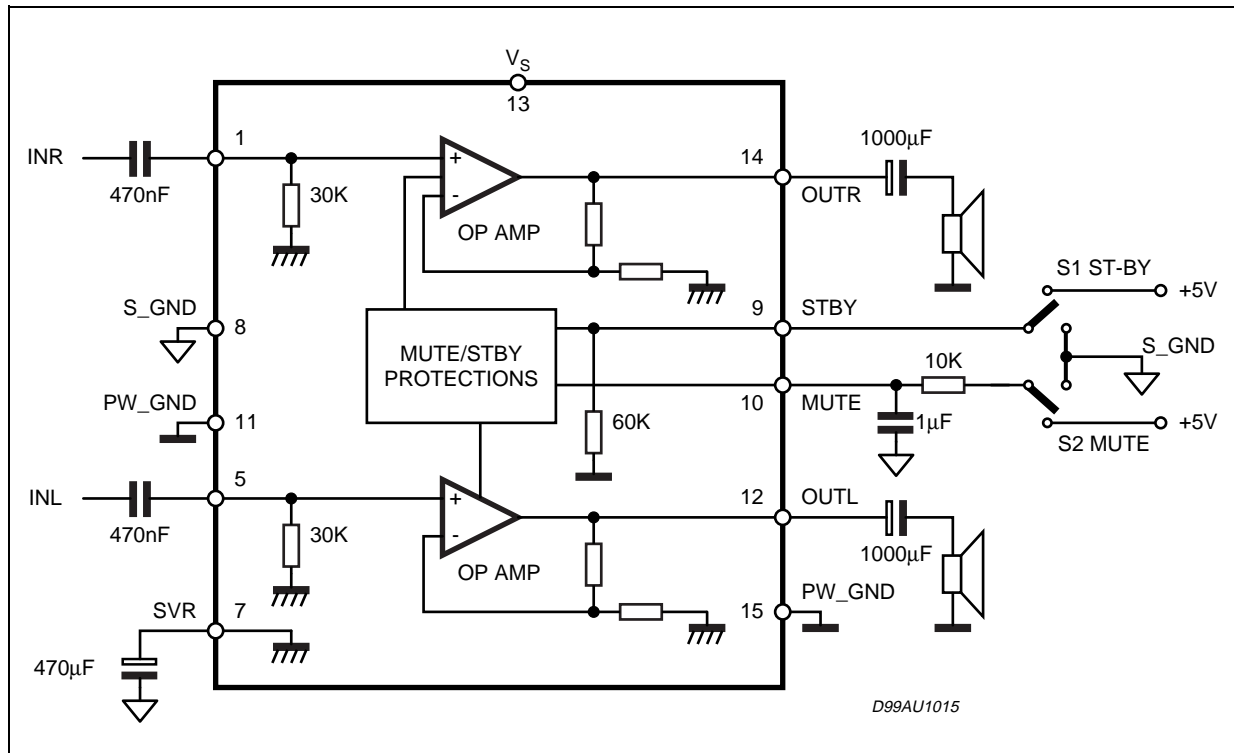
The TDA7496SSA is a stereo 5+5W class AB power amplifier assembled in the @Clipwatt 15 package, specially designed for high quality sound TV applica-

tions.

Features of the TDA7496SSA include, Stand-by and Mute functions.

The TDA7496SSA is pin to pin compatible with TDA7496, TDA7496S, TDA7496SA, TDA7495, TDA7495SA, TDA7494S, TDA7494SA, TDA96SA.

BLOCK DIAGRAM

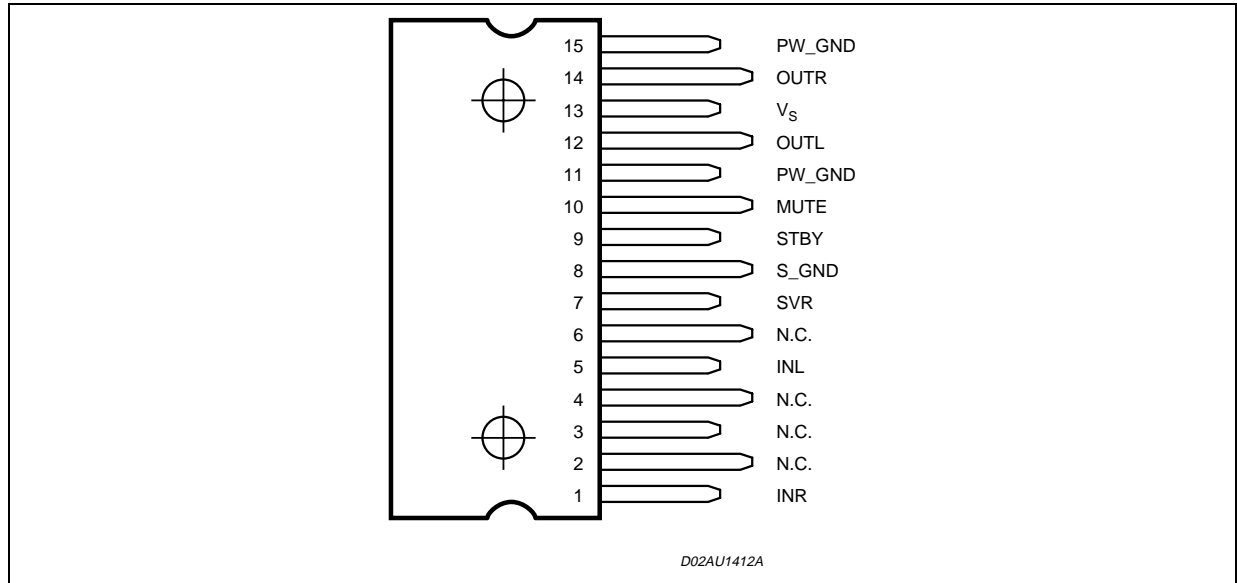


TDA7496SSA

ABSOLUTE MAXIMUM RATINGS

| Symbol | Parameter | Value | Unit |
|-----------------------------------|---|------------|-----------------|
| V _S | DC Supply Voltage | 35 | V |
| V _{IN} | Maximum Input Voltage | 8 | V _{pp} |
| P _{tot} | Total Power Dissipation (T _{amb} = 70°C) | 15 | W |
| T _{amb} | Ambient Operating Temperature (1) | 0 to 70 | °C |
| T _{stg} , T _J | Storage and Junction Temperature | -40 to 150 | °C |
| V ₃ | Volume Control DC Voltage | 7 | V |

PIN CONNECTION (top view)



THERMAL DATA

| Symbol | Parameter | Value | Unit |
|------------------------|--|----------------------|------|
| R _{th j-case} | Thermal Resistance junction-case | Typ. = 4.5; Max. = 5 | °C/W |
| R _{th j-amb} | Thermal Resistance junction-ambient Max. | 48 | °C/W |

ELECTRICAL CHARACTERISTICS

(Refer to the test circuit V_S = 22V, R_L = 8Ω, f = 1KHz, R_g = 50Ω, T_{amb} = 25°C)

| Symbol | Parameter | Test Condition | Min. | Typ. | Max. | Unit |
|-------------------|--|-----------------|------|------|------|------|
| V _S | Supply Voltage Range | | 10 | | 32 | V |
| I _q | Total Quiescent Current | | | 25 | 50 | mA |
| DCV _{os} | Output DC Offset Referred to SVR Potential | No Input Signal | | 200 | | mV |
| V _O | Quiescent Output Voltage | | | 11 | | V |

ELECTRICAL CHARACTERISTICS (continued)(Refer to the test circuit $V_S = 22V$, $R_L = 8\Omega$, $f = 1KHz$, $R_G = 50\Omega$, $T_{amb} = 25^\circ C$)

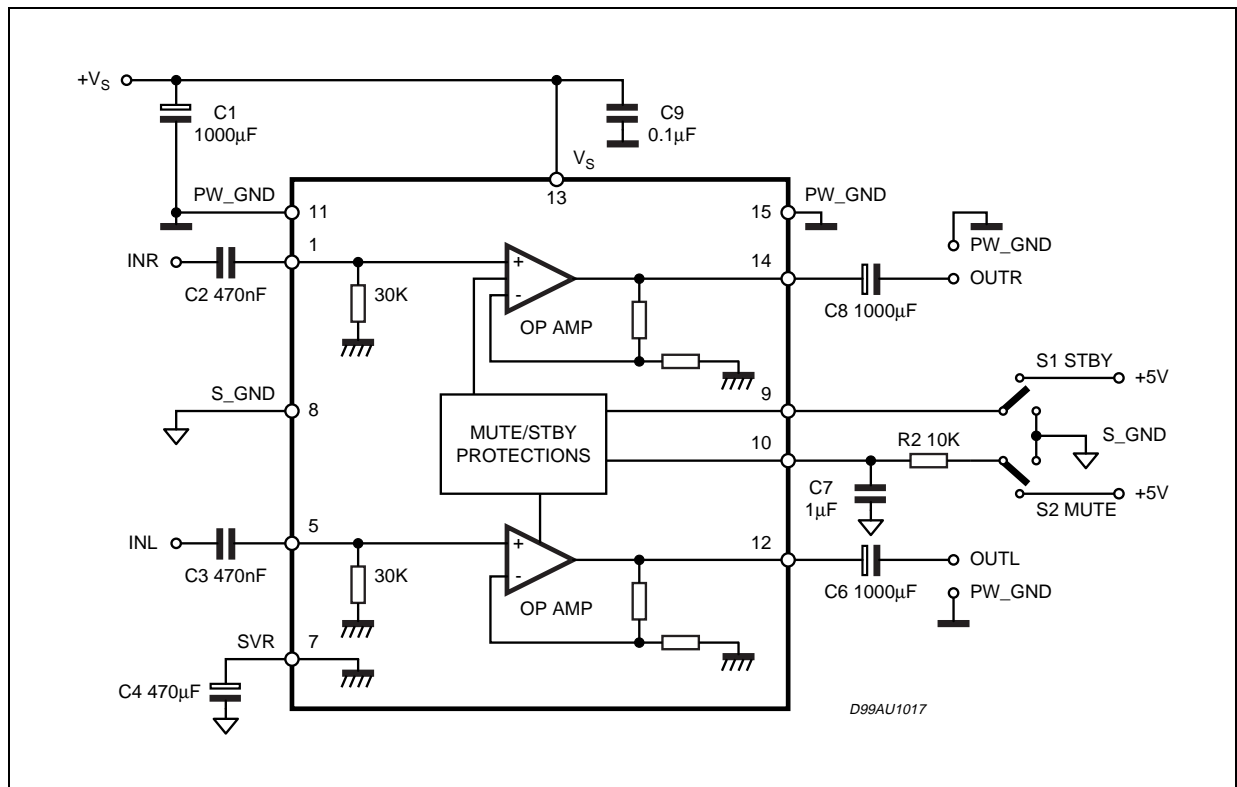
| Symbol | Parameter | Test Condition | Min. | Typ. | Max. | Unit |
|---|------------------------------|---|------|------------|------|------------|
| P_O | Output Power | THD = 10%; $R_L = 8\Omega$; THD = 1%; $R_L = 8\Omega$; | 5 | 5.5 4 | | W |
| | | THD = 10%; $R_L = 4\Omega$; $V_S = 12V$ THD = 1%; $R_L = 4\Omega$; $V_S = 12V$ | | 2.1 1.0 | | W |
| THD | Total Harmonic Distortion | $G_V = 30dB$; $P_O = 1W$; $f = 1KHz$ | | | 0.4 | % |
| I_{peak} | Output Peak Current | (internally limited) | 1.0 | 1.3 | | A |
| V_{IN} | Input Signal | | | | 2.8 | Vrms |
| G_V | Closed Loop Gain | $V_{OI\ Ctrl} > 4.5V$ | 28.5 | 30 | 31.5 | dB |
| BW | | | | 0.6 | | MHz |
| e_N | Total Output Noise | $f = 20Hz$ to 22KHz PLAY | | 500 | 800 | μV |
| | | $f = 20Hz$ to 22KHz MUTE | | 60 | 150 | μV |
| SR | Slew Rate | | 5 | 8 | | V/ μs |
| R_i | Input Resistance | | 22.5 | 30 | | K Ω |
| SVR | Supply Voltage Rejection | $f = 1KHz$; max volume $C_{SVR} = 470\mu F$; $V_{RIP} = 1V_{rms}$ | 35 | 39 | | dB |
| T_M | Thermal Muting | | | 150 | | $^\circ C$ |
| T_S | Thermal Shut-down | | | 160 | | $^\circ C$ |
| MUTE & INPUT SELECTION FUNCTIONS | | | | | | |
| V_{ST-ON} | Stand-by ON Threshold | | 3.5 | | | V |
| V_{ST-OFF} | Stand-by OFF Threshold | | | | 1.5 | V |
| V_{MUTEON} | Mute ON threshold | | 3.5 | | | V |
| $V_{MUTEOFF}$ | Mute OFF threshold | | | | 1.5 | V |
| A_{MUTE} | Mute Attenuation | | 50 | 65 | | dB |
| I_{qST-BY} | Quiescent Current @ Stand-by | | | 0.6 | 1 | mA |
| $I_{stbyBIAS}$ | Stand-by bias current | Stand by ON: $V_{ST-BY} = 5V$; $V_{mute} = 5V$ | | 80 | | μA |
| | | Play or Mute | -20 | -5 | | μA |
| $I_{muteBIAS}$ | Mute Bias Current | Mute | | 1 | 5 | μA |
| | | Play | | 0.2 | 2 | μA |

APPLICATION SUGGESTIONS

The recommended values of the external components are those shown on the application circuit of figure 1. Different values can be used, the following table can help the designer.

| COMPONENT | SUGGESTION VALUE | PURPOSE | LARGER THAN SUGGESTION | SMALLER THAN SUGGESTION |
|-----------|------------------|-----------------------|----------------------------|-----------------------------|
| R2 | 10K | Mute time constant | Larger mute on/off time | Smaller mute on/off time |
| C1 | 1000 μ F | Supply voltage bypass | | Danger of oscillation |
| C2 | 470nF | Input DC decoupling | Lower low frequency cutoff | Higher low frequency cutoff |
| C3 | 470nF | Input DC decoupling | Lower low frequency cutoff | Higher low frequency cutoff |
| C4 | 470 μ F | Ripple rejection | Better SVR | Worse SVR |
| C6 | 1000 μ F | Output DC decoupling | Lower low frequency cutoff | Higher low frequency cutoff |
| C7 | 1 μ F | Mute time constant | Larger mute on/off time | Smaller mute on/off time |
| C8 | 1000 μ F | Output DC decoupling | Lower low frequency cutoff | Higher low frequency cutoff |
| C9 | 100nF | Supply voltage bypass | | Danger of oscillation |

Figure 1. Application Circui

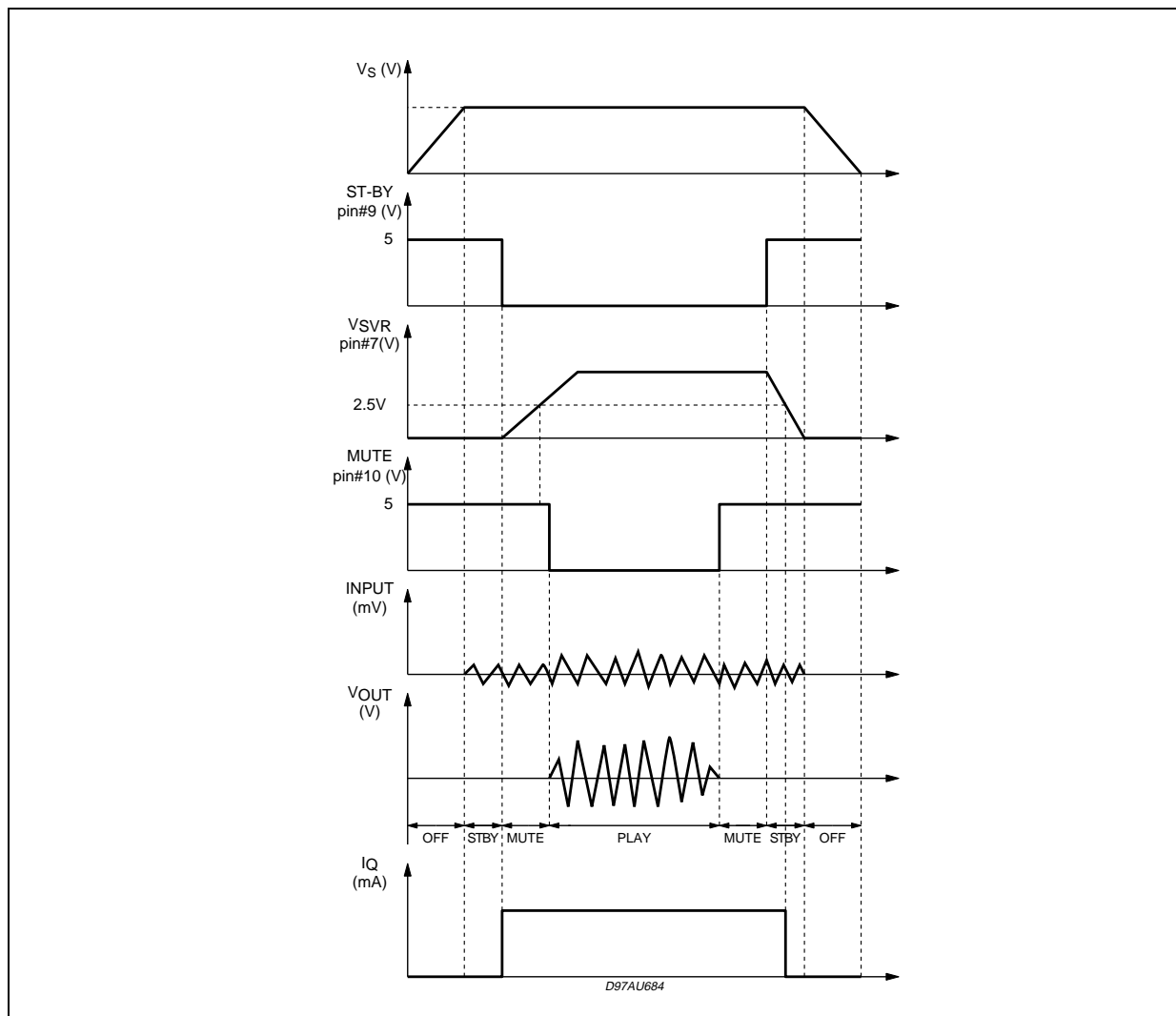


MUTE STAND-BY TRUTH TABLE

| MUTE | St-BY | OPERATING CONDITION |
|------|-------|---------------------|
| H | H | STAND-BY |
| L | H | STAND-BY |
| H | L | MUTE |
| L | L | PLAY |

Turn ON/OFF Sequences (for optimizing the POP performances)

Figure 1. USING ONLY THE MUTE FUNCTION



USING ONLY THE MUTE FUNCTION

To simplify the application, the stand-by pin can be connected directly to Ground. During the ON/OFF transitions it is recommended to respect the following conditions:

- At the turn-on the transition mute to play must be made when the SVR pin is higher than 2.5V
- At the turn-off the TDA7496SSA must be brought to mute from the play condition when the SVR pin is higher than 2.5V.

Figure 4. Quiescent Current vs. Supply Voltage

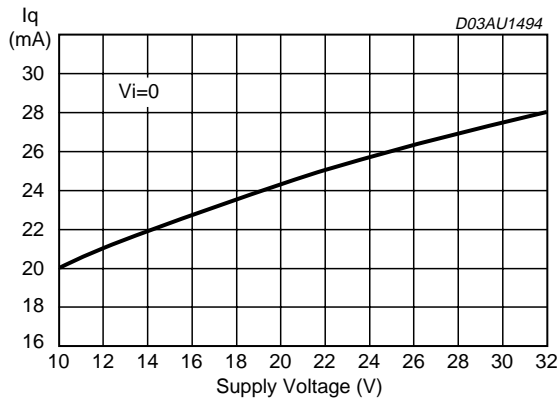


Figure 7. Output DC Offset vs. Supply Voltage

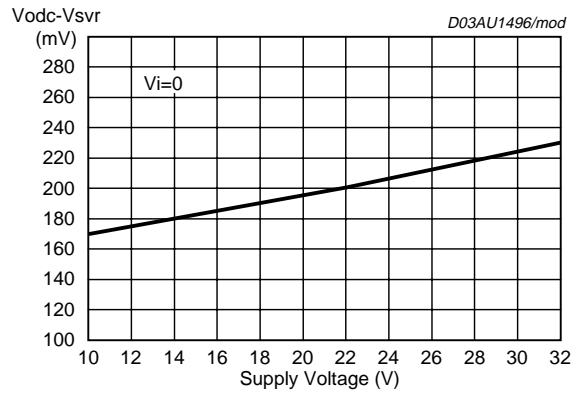


Figure 5. Output DC Voltage vs. Supply Voltage

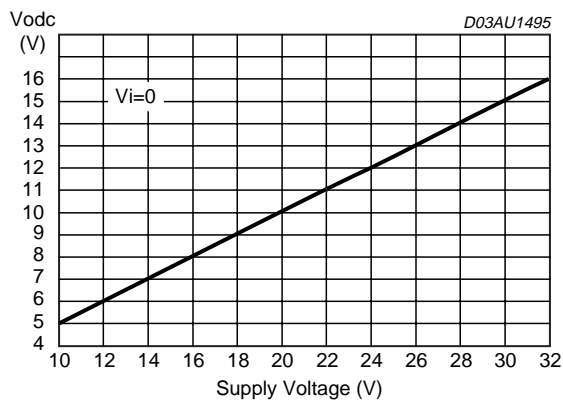


Figure 8. Output Power vs Supply Voltage

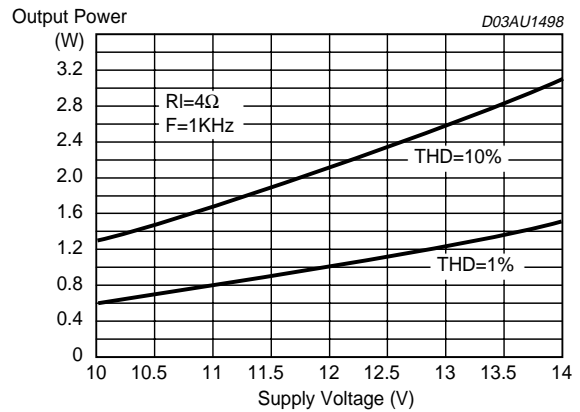


Figure 6. Output Power vs. Supply Voltage

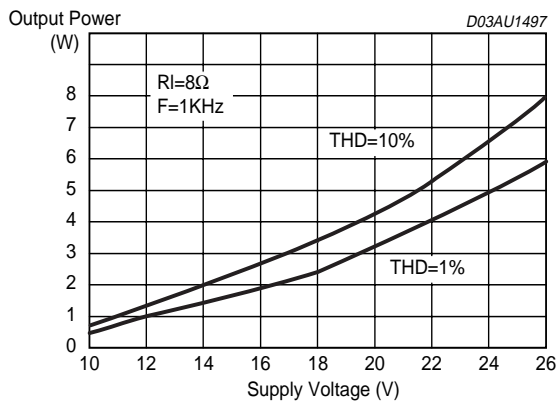


Figure 9. Distortion vs Output Power

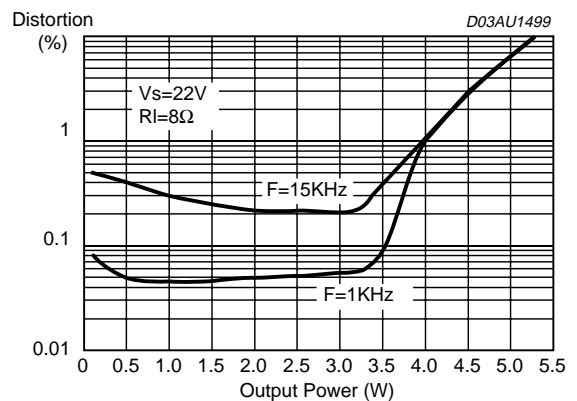


Figure 10. Distortion vs Output Power

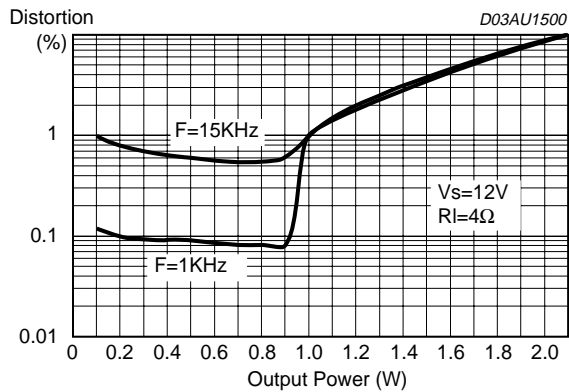


Figure 13. Mute Attenuation vs Vpin 10

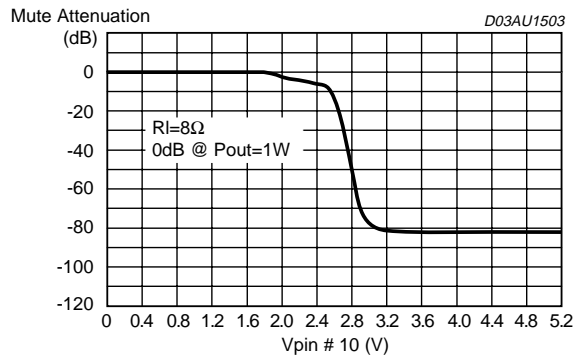
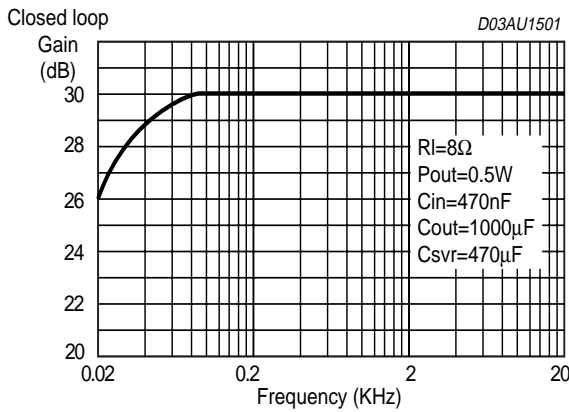


Figure 11. Closed Loop Gain vs. Frequency



PINS DESCRIPTION

Figure 14. PIN SVR

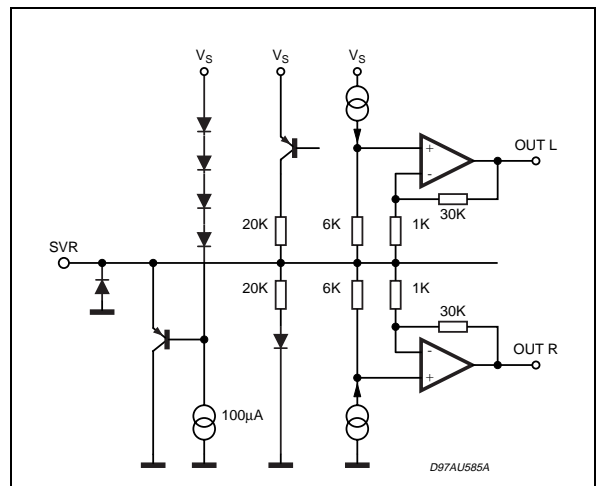


Figure 12. St-By Attenuation vs Vpin 9

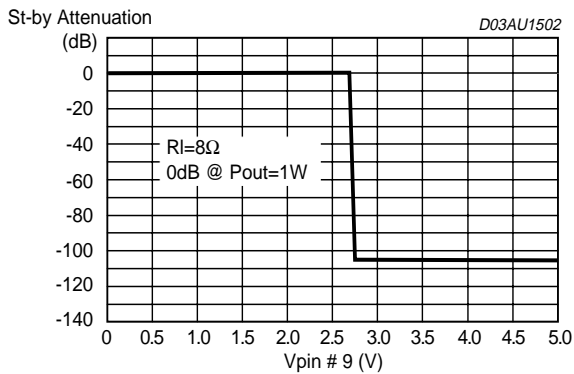


Figure 15. PINS: INL,INR

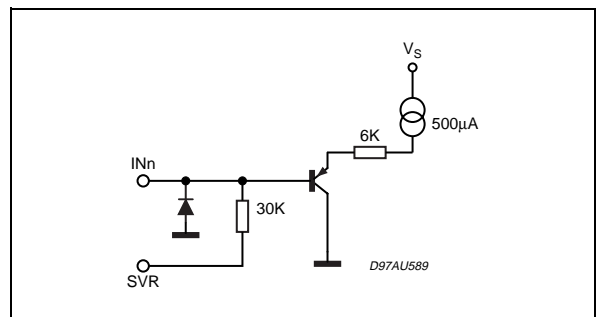


Figure 17. PIN ST-BY

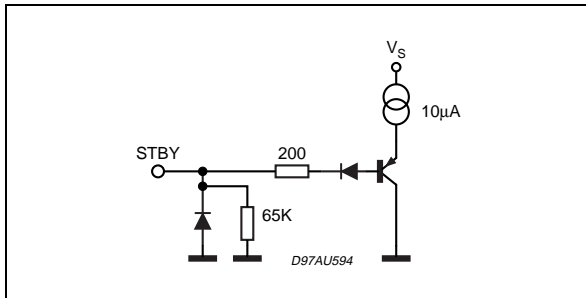


Figure 19. PINS: OUT R, OUT L

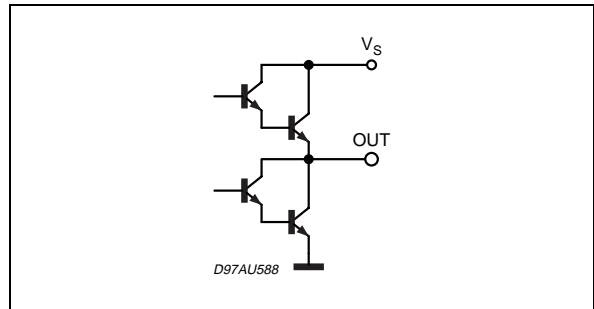


Figure 18. PIN: MUTE

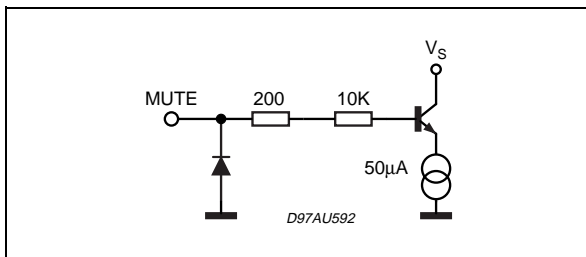
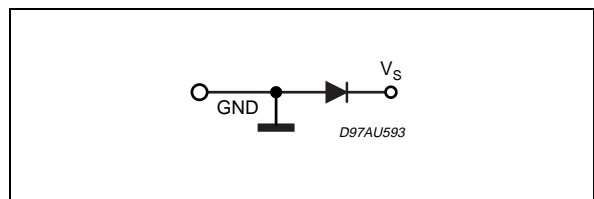


Figure 20. PINS: PW-GND, S-GND



HEAT SINK DIMENSIONING:

In order to avoid the thermal protection intervention, that is placed approximatively at $T_j = 150^\circ\text{C}$, it is important the dimensioning of the Heat Sinker R_{Th} ($^\circ\text{C}/\text{W}$).

The parameters that influence the dimensioning are:

- Maximum dissipated power for the device (P_{dmax})
- Max thermal resistance Junction to case ($R_{Th\ j-c}$)
- Max. ambient temperature $T_{amb\ max}$
- Quiescent current I_q (mA)

Example:

$$V_{CC} = 22\text{V}, R_{load} = 8\text{ohm}, R_{Th\ j-c} = 5\ ^\circ\text{C}/\text{W}, T_{amb\ max} = 50^\circ\text{C}$$

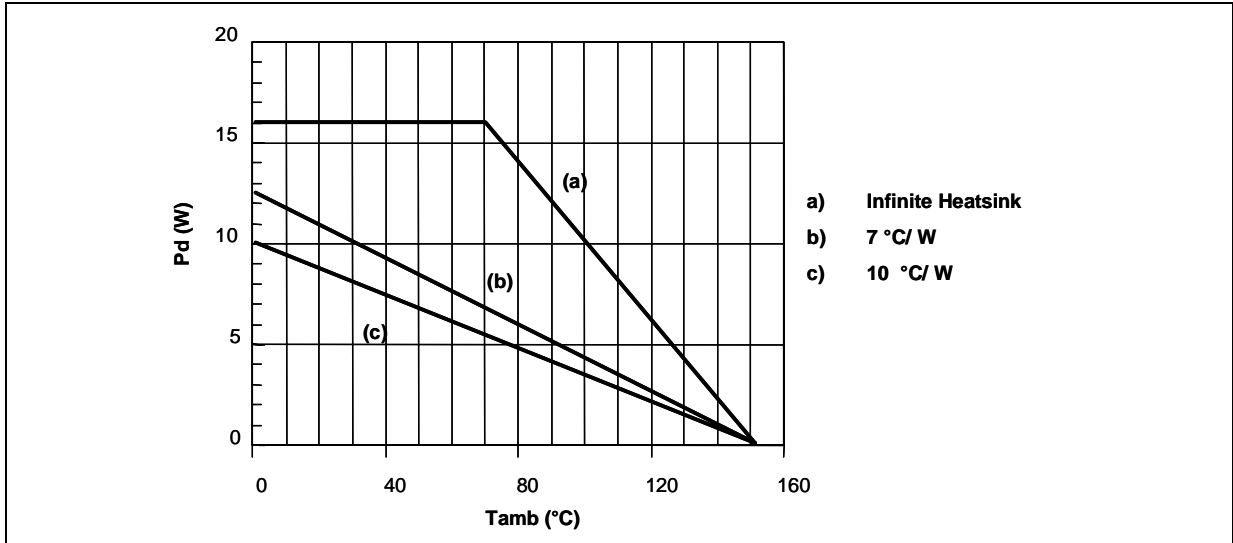
$$P_{dmax} = (N^\circ\ \text{channels}) \cdot \frac{V_{CC}^2}{2\Pi^2 \cdot R_{load}} + I_q \cdot V_{CC}$$

$$P_{dmax} = 2 \cdot (3.0) + 0.5 = 6.5\ \text{W}$$

$$(\text{Heat Sinker})\ R_{Th\ c-a} = \frac{150 - T_{amb\ max}}{P_{d\ max}} - R_{Th\ j-c} = \frac{150 - 50}{6.5} - 5.0 = 10^\circ\text{C}/\text{W}$$

In figure 21 is shown the Power derating curve for the device.

Figure 21. Power derating curve



Clipwatt Assembling Suggestions

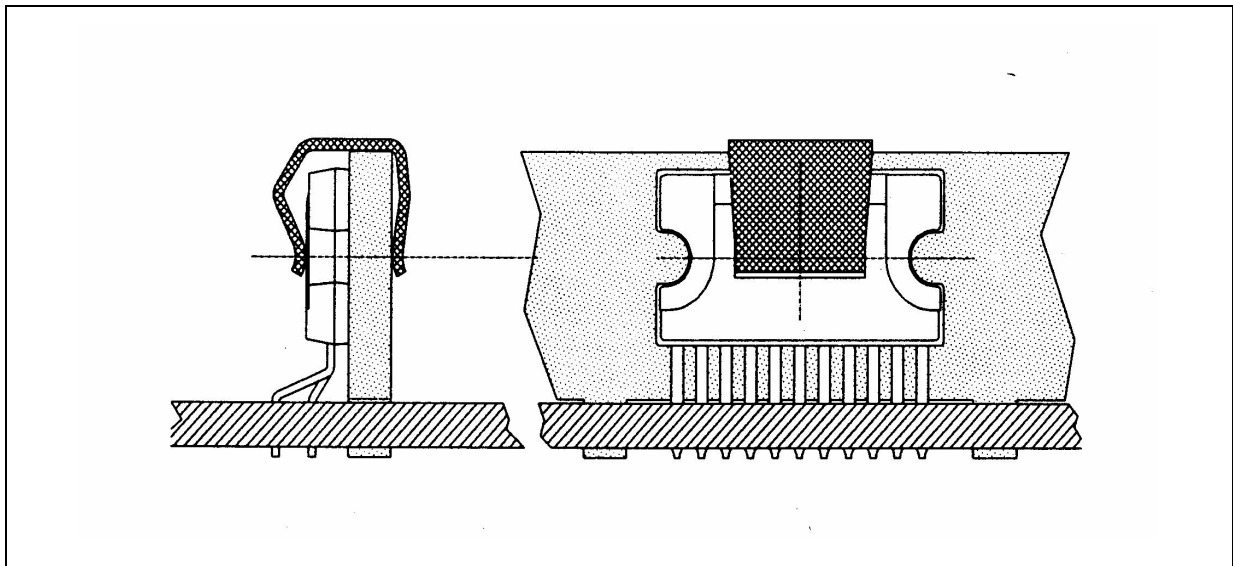
The suggested mounting method of Clipwatt on external heat sink, requires the use of a clip placed as much as possible in the plastic body center, as indicated in the example of figure 22.

A thermal grease can be used in order to reduce the additional thermal resistance of the contact between package and heatsink.

A pressing force of 7 - 10 Kg gives a good contact and the clip must be designed in order to avoid a maximum contact pressure of 15 Kg/mm² between it and the plastic body case.

As example, if a 15Kg force is applied by the clip on the package, the clip must have a contact area of 1mm² at least.

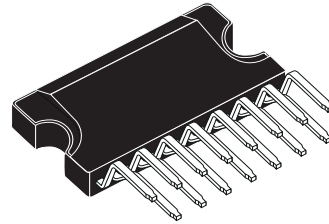
Figure 22. Example of right placement of the clip



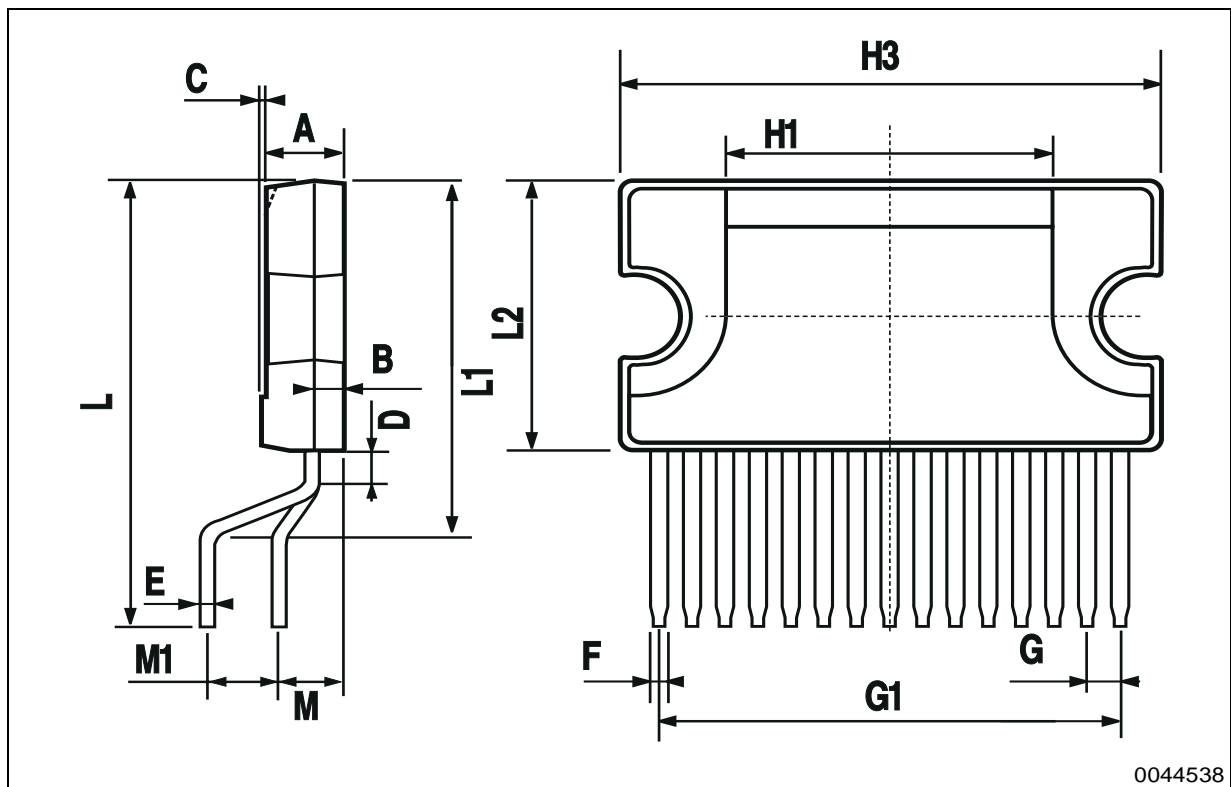
| DIM. | mm | | | inch | | |
|------|-------|-------|-------|-------|-------|-------|
| | MIN. | TYP. | MAX. | MIN. | TYP. | MAX. |
| A | | | 3.2 | | | 0.126 |
| B | | | 1.05 | | | 0.041 |
| C | | 0.15 | | | 0.006 | |
| D | | 1.55 | | | 0.061 | |
| E | 0.49 | | 0.55 | 0.019 | | 0.022 |
| F | 0.67 | | 0.73 | 0.026 | | 0.029 |
| G | 1.14 | 1.27 | 1.4 | 0.045 | 0.050 | 0.055 |
| G1 | 17.57 | 17.78 | 17.91 | 0.692 | 0.700 | 0.705 |
| H1 | | 12 | | | 0.480 | |
| H2 | | 18.6 | | | 0.732 | |
| H3 | 19.85 | | | 0.781 | | |
| L | | 17.95 | | | 0.707 | |
| L1 | | 14.45 | | | 0.569 | |
| L2 | 10.7 | 11 | 11.2 | 0.421 | 0.433 | 0.441 |
| L3 | | 5.5 | | | 0.217 | |
| M | | 2.54 | | | 0.100 | |
| M1 | | 2.54 | | | 0.100 | |

OUTLINE AND MECHANICAL DATA

Weight: 1.92gr



Clipwatt15



0044538

Information furnished is believed to be accurate and reliable. However, STMicroelectronics assumes no responsibility for the consequences of use of such information nor for any infringement of patents or other rights of third parties which may result from its use. No license is granted by implication or otherwise under any patent or patent rights of STMicroelectronics. Specifications mentioned in this publication are subject to change without notice. This publication supersedes and replaces all information previously supplied. STMicroelectronics products are not authorized for use as critical components in life support devices or systems without express written approval of STMicroelectronics.

The ST logo is a registered trademark of STMicroelectronics.
All other names are the property of their respective owners

© 2003 STMicroelectronics - All rights reserved

STMicroelectronics GROUP OF COMPANIES

Australia - Belgium - Brazil - Canada - China - Czech Republic - Finland - France - Germany - Hong Kong - India - Israel - Italy - Japan -
Malaysia - Malta - Morocco - Singapore - Spain - Sweden - Switzerland - United Kingdom - United States

www.st.com

