

MULTI LAMPS LED BULB

Data Sheet

Description:

These multi lamps LED Bulbs are specifically designed for flashlight electric equipment, indicator light switch and where a wide view angle. The 4.6mm round shaped radiation pattern (60°) and high luminous intensity ensure that these devices are excellent for wide field of view outdoor applications where a wide viewing angle and readability in sunlight are essential.

High efficiency LED materials are used in this Bulb. Every lamp is made with an advanced optical grade epoxy offering superior high shock and high temperature resistance in outdoor applications.

Feature:

- Wide view angle
- High luminous output
- Seven kind color
- Solid-state Vibration resistant
- Saving power
- Long life

Option:

- 6V to 240V AC or DC
- Other industry standard base

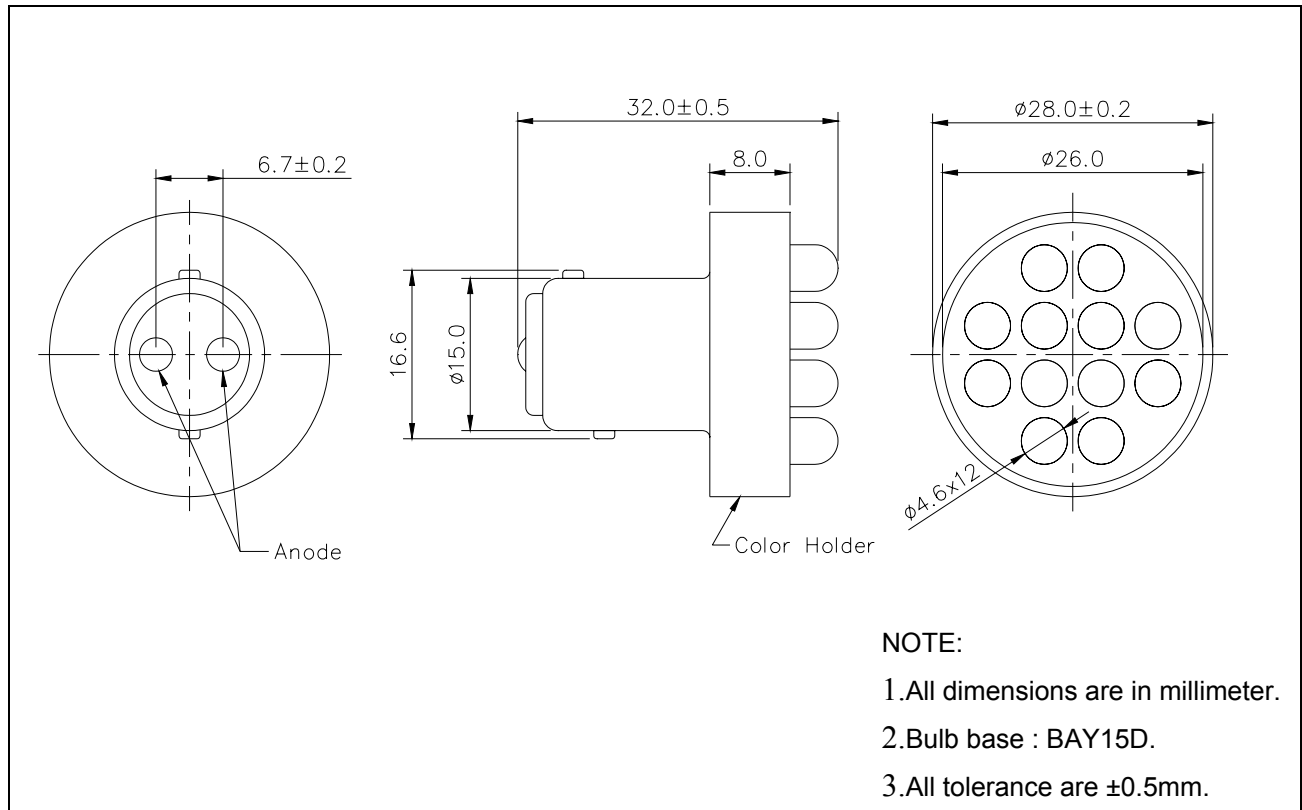
A-BRIGHT

A-BRIGHT INDUSTRIAL CO.,LTD.

Part No.: AB-12ATRD-12VD-B3G-0

Multi Lamps LED Bulb

PACKAGE DIMENSIONS:



Part No.: AB-12ATRD-12VD-B3G-0

Multi Lamps LED Bulb

FEATURE:

- SUPER LUMINOSITY RED LED (AlGaInP).
- WATER CLEAR PACKAGE.
- 4.6mm ALL RESIN MOLD.
- WIDE VIEWING ANGLE.
- BASE MODEL BAY15D.
- ELECTRIC DC.

ABSOLUTE MAXIMUM RATING: Ta = 25 °C

- PEAK OPERATE VOLTAGE..... 14 V
- OPERATING TEMPERATURE..... -25 TO +85°C
- STORAGE TEMPERATURE..... -35 TO +100°C
- LED BULB LIFE..... 500000 HOURS
(LUMINANCE REDUCES to 50%)

ABSOLUTE OPTICAL CHARACTERISTIC (Ta= 25°C)

PARAMETER		SYMBOL	MIN	TYP	MAX	UNIT
Operate Voltage		V	----	12	14	V
Luminous Intensity	IF= 110 mA	I _v	9500	11000	----	mcd
	IF= 250 mA		16	20	----	cd
Dominant Wavelength	IF= 110 mA	λ _d	----	630	----	nm
Spectrum Radiation Bandwidth	IF= 110 mA	Δλ	----	20	----	nm
Forward Current	V _{IN} =12 V DC	IF	----	110	----	mA
Viewing Angle		2θ _{1/2}	----	60	----	deg