

SINGLE LAMP LED BULB

Data Sheet

Description:

These single lamp LED Bulbs are specifically designed for flashlight electric equipment, indicator light switch and where a wide view angle. The 9 mm round shaped radiation pattern (60°) and high luminous intensity ensure that these devices are excellent for wide field of view outdoor applications where a wide viewing angle and readability in sunlight are essential.

High efficiency LED materials are used in this Bulb. Every lamp is made with an advanced optical grade epoxy offering superior high shock and high temperature resistance in outdoor applications.

Feature:

- Wide view angle
- High luminous output
- Seven kind color
- Solid-state Vibration resistant
- Saving power
- Long life

Option:

- 6V to 240V AC or DC
- Other industry standard base

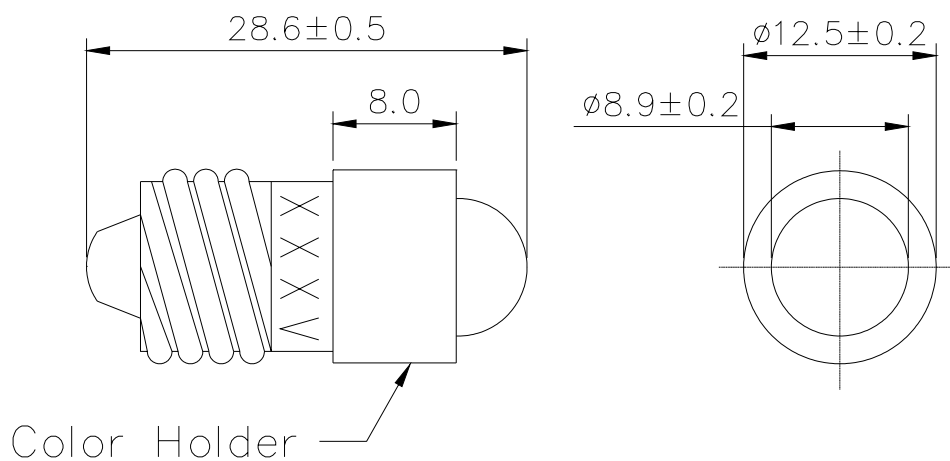
A-BRIGHT

A-BRIGHT INDUSTRIAL CO.,LTD.

Part No.: AB-9B5-220V-E12

Single Lamp LED Bulb

PACKAGE DIMENSIONS:



NOTE:

1. All dimensions are in millimeter.
2. Bulb base : E12.
3. All tolerance are ± 0.25 mm.

Part No.: AB-9B5-220V-E12

Single Lamp LED Bulb

FEATURE:

- SUPER LUMINOSITY BLUE LED (InGaN).
- WATER CLEAR PACKAGE.
- 9mm ALL RESIN MOLD.
- WIDE VIEWING ANGLE.
- BASE MODEL E12.
- ELECTRIC AC/DC BI-POLAR.

MATERIALS:

- LED LENS: UV RESISTENT EPOXY.
- COLOR HOLDER: NYLON 66 UL 94-V2.
- BULB BASE: COPPER (CU).

ABSOLUTE MAXIMUM RATING: Ta = 25 °C

- PEAK OPERATE VOLTAGE..... **260 V**
- OPERATING TEMPERATURE..... **-25 TO +85°C**
- STORAGE TEMPERATURE..... **-35 TO +100°C**
- LED BULB LIFE..... **20000 HOURS**
(LUMINANCE REDUCES to 50%)

ABSOLUTE OPTICAL CHARACTERISTIC Ta= 25°C

| PARAMETER | | SYMBOL | MIN | TYP | MAX | UNIT |
|------------------------------|----------------------|--------------|-----------|------------|------------|------------|
| Operate Voltage | | V | ---- | 220 | 260 | V |
| Luminous Intensity | IF = 3.0 mA | Iv | 35 | 50 | ---- | mcd |
| Dominant Wavelength | IF = 3.0 mA | λd | ---- | 470 | ---- | nm |
| Spectrum Radiation Bandwidth | IF = 3.0 mA | Δλ | ---- | 30 | ---- | nm |
| Forward Current | VIN = 220V DC | IF | ---- | 3.0 | ---- | mA |
| Viewing Angle | | 2θ1/2 | ---- | 60 | ---- | deg |