

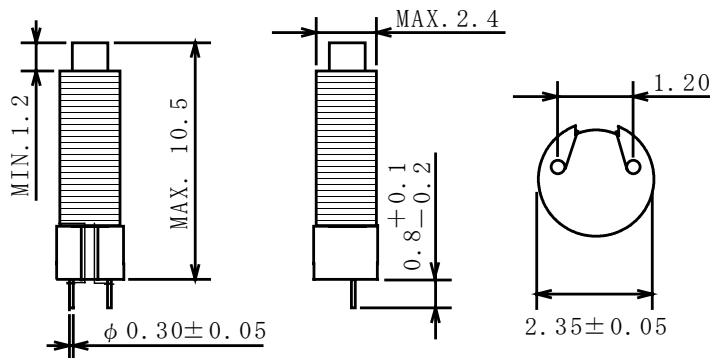
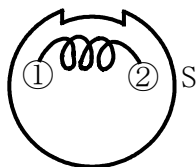
**Type: AR10D23**
**◆ Product Description**

- 2.4×2.4mm Max.(L×W),10.5mm Max. Height.
- Operating temperature: -40°C~+85°C.


**◆ Feature**

- LF transponder receiver antenna.
- Ideally used in keyless smart entry system.
- RoHS Compliance.

**TI USE ONLY**

**◆ Dimensions (mm)**

**◆ Schematics(Bottom)**


“S” is winding start.

**◆ Specification**

	(2 - 1)	MEASURING CONDITIONS
INDUCTANCE	2.47mH±4% WITHIN	134.2kHz,1V
UNLOADED Q	MIN. 80 (at 25°C)	134.2kHz,1V
Line Capacitance	6pF±4 pF	