

Type: CDPH28D11F

UNDER DEVELOPMENT

◆ Product Description

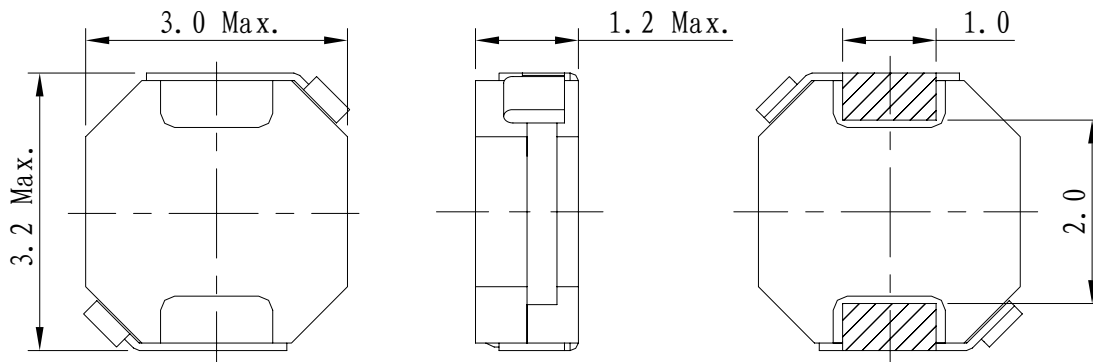
- 3.2×3.0mm Max.(L×W),1.2mm Max. Height.
- Inductance Range: 0.56~12 μ H.
- Rated current range:0.59~2.45A.
- Custom design is available.



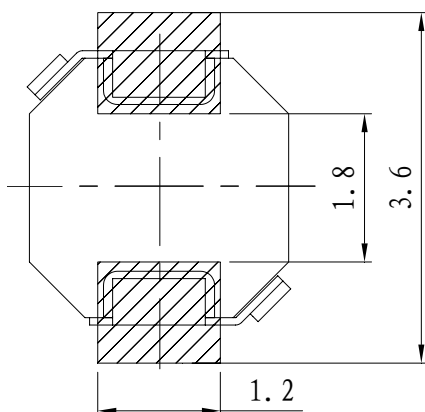
◆ Feature

- Magnetically shielded construction.
- Ideally used as DC-DC Converter inductors in Mobile phone,PDA,MP3/MP4,DSC/DVC etc.
- Ideal for a variety of DC-DC converter inductor applications. (DVC, DSC, Cellular phone, PAD)
- Low Profile (H=1.2mm Max.)
- Low Rdc (Flat wire use)
- RoHS Compliance.

◆ Dimensions (mm)



◆ Land Pattern (mm)

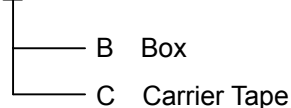


Type: CDPH28D11F
◆ Specification

Part Name ※	Stamp	Inductance (μ H) 100kHz/1V	D.C.R.(m Ω) Max.(Typ.) (20°C)	Saturation Current Max.(Typ.) (A) ※1	Temperature Rise Current Max.(Typ.) (A) ※2
CDPH28D11FNP-R56N□	A	0.56 \pm 30%	41 (33)	2.45(3.27)	2.62(3.00)
CDPH28D11FNP-1R2M□	B	1.2 \pm 20%	73 (58)	1.78(2.37)	1.83(2.08)
CDPH28D11FNP-1R5M□	C	1.5 \pm 20%	86 (69)	1.59(2.12)	1.74(1.98)
CDPH28D11FNP-2R2M□	D	2.2 \pm 20%	96 (77)	1.31(1.75)	1.72(1.94)
CDPH28D11FNP-2R7M□	E	2.7 \pm 20%	116 (93)	1.22(1.63)	1.49(1.69)
CDPH28D11FNP-3R3M□	F	3.3 \pm 20%	128 (102)	1.14(1.52)	1.42(1.58)
CDPH28D11FNP-3R9M□	G	3.9 \pm 20%	144 (115)	1.03(1.37)	1.34(1.53)
CDPH28D11FNP-4R7M□	H	4.7 \pm 20%	184 (147)	0.95(1.27)	1.18(1.32)
CDPH28D11FNP-6R8M□	I	6.8 \pm 20%	300 (240)	0.83(1.10)	0.89(1.00)
CDPH28D11FNP-100M□	J	10.0 \pm 20%	408 (326)	0.65(0.87)	0.76(0.86)
CDPH28D11FNP-120M□	K	12.0 \pm 20%	453 (362)	0.59(0.79)	0.73(0.83)

※ Description of part name

CDPH28D11FNP-1R5M□



※1.Saturation current: The DC current at which the inductance decreases by 30% from its nominal value .
(Ta=20°C)

※2.Temperature rise current: The DC current at which the temperature rise is $\Delta t=40^{\circ}\text{C}$ (Ta=20°C) .