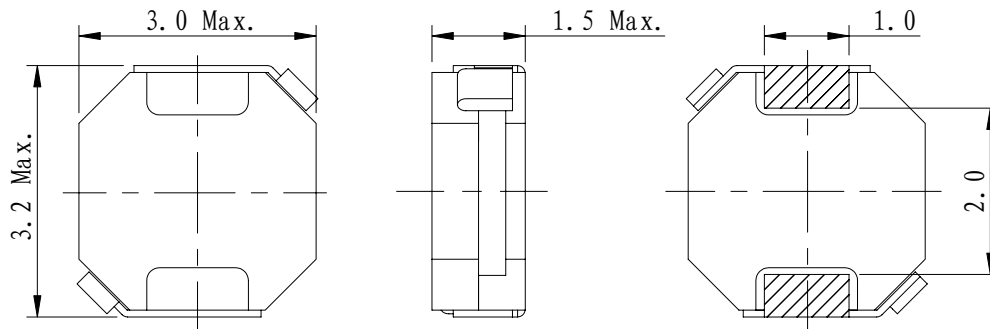


Type: CDPH28D14F
UNDER DEVELOPMENT
◆ Product Description

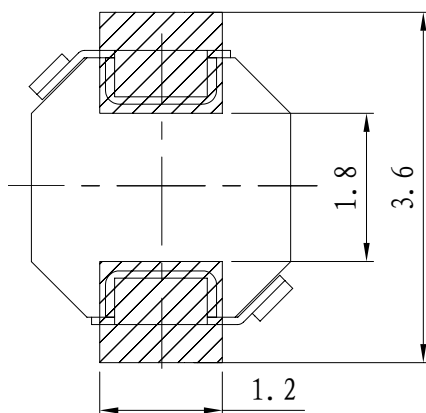
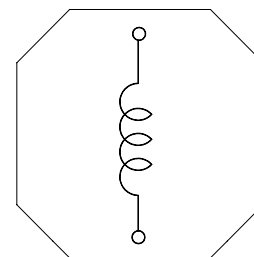
- 3.2×3.0mm Max.(L×W), 1.5mm Max. Height.
- Inductance range: 0.56~12 μ H.
- Rated current range: 0.58~2.69A.
- Custom design is available.

◆ Feature

- Magnetically shielded construction.
- Ideally used as DC-DC Converter inductors in Mobile phone, PDA, MP3/MP4, DSC/DVC etc.
- RoHS Compliance.

◆ Dimensions (mm)


* Dimensions Without Tolerance Are Approx.

◆ Land Pattern (mm)

◆ CONNECTION (BOTTOM VIEW)


Type: CDPH28D14F
◆ Specification

Part Name ※	Stamp	Inductance (μ H) 100kHz/1V	D.C.R.(m Ω) Max. (Typ.) (20°C)	Saturation Current (A) (Typ.) ※1	Temperature Rise Current (A) (Typ.) ※2
CDPH28D14FNP-R56NC	A	0.56 \pm 30%	31(25)	2.69(3.36)	3.22(3.68)
CDPH28D14FNP-1R2NC	B	1.2 \pm 30%	44(35)	1.61(2.01)	2.40(2.72)
CDPH28D14FNP-1R5NC	C	1.5 \pm 30%	53(42)	1.49(1.86)	2.17(2.47)
CDPH28D14FNP-2R2MC	D	2.2 \pm 20%	58(46)	1.32(1.65)	2.10(2.38)
CDPH28D14FNP-2R7MC	E	2.7 \pm 20%	65(52)	1.17(1.46)	1.92(2.20)
CDPH28D14FNP-3R3MC	F	3.3 \pm 20%	73(58)	1.04(1.30)	1.80(2.05)
CDPH28D14FNP-3R9MC	G	3.9 \pm 20%	103(82)	0.95(1.19)	1.42(1.60)
CDPH28D14FNP-4R7MC	H	4.7 \pm 20%	111(89)	0.89(1.11)	1.35(1.53)
CDPH28D14FNP-6R8MC	I	6.8 \pm 20%	186(149)	0.74(0.93)	1.08(1.22)
CDPH28D14FNP-100MC	J	10.0 \pm 20%	263(210)	0.60(0.75)	0.88(1.00)
CDPH28D14FNP-120MC	K	12.0 \pm 20%	278(222)	0.58(0.73)	0.85(0.97)

※ Description of part name

CDPH28D14FNP-R56N□

B Box

C Carrier Tape

※1.Saturation Current: The DC current at which the inductance decreases to 70% of its nominal value.
(Ta=20°C)

※2.Temperature Rise Current: The DC current at which the temperature rise is $\Delta t=40^\circ\text{C}$ (Ta=20°C) .

※ This spec is not the final revision, and some parts may be changed before production.