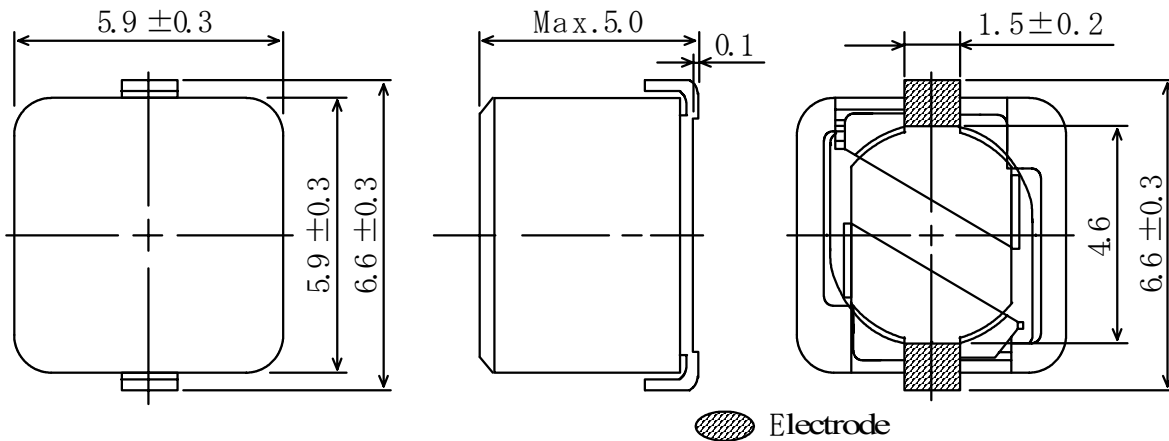
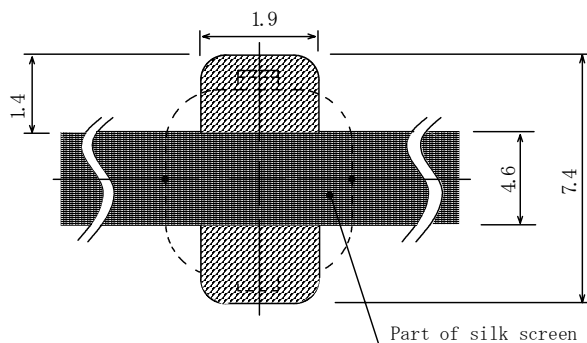


Type: CDPH64
◆ Product Description

- 6.9×6.2mm Max. (L×W), 5.0mm Max. height
- Inductance range: 10~390 μ H
- Rated Current Range : 0.2~1.32A
- In addition to the standard versions of inductors shown here, custom inductors are available to meet your exact requirement


◆ Feature

- Magnetically shielded construction.
- Ideally Used in Notebook PC, DVD, LCD TV, Game machine, STB etc as DC-DC Converter inductors.
- RoHS Compliance

◆ Dimensions (mm)

◆ Land Pattern (mm)


Type: CDPH64
◆ Specification

Part Name ※	Stamp	Inductance [within] 1kHz/1V	D.C.R.(Ω) Max.(Typ.) (at 20°C)	Rated current (A) ※1
CDPH64NP-100N□	100	+ 25 10 μH - 20 %	0.12(89m)	1.32
CDPH64NP-120N□	120	+ 25 12 μH - 20 %	0.13(98m)	1.16
CDPH64NP-150N□	150	+ 25 15 μH - 20 %	0.14(0.11)	1.09
CDPH64NP-180N□	180	+ 25 18 μH - 20 %	0.15(0.12)	1.00
CDPH64NP-220N□	220	+ 25 22 μH - 20 %	0.18(0.14)	0.92
CDPH64NP-270N□	270	+ 25 27 μH - 20 %	0.24(0.18)	0.82
CDPH64NP-330N□	330	+ 25 33 μH - 20 %	0.27(0.21)	0.73
CDPH64NP-390N□	390	+ 25 39 μH - 20 %	0.31(0.24)	0.67
CDPH64NP-470N□	470	+ 25 47 μH - 20 %	0.38(0.29)	0.61
CDPH64NP-560N□	560	+ 25 56 μH - 20 %	0.44(0.34)	0.58
CDPH64NP-680N□	680	+ 25 68 μH - 20 %	0.49(0.37)	0.50
CDPH64NP-820N□	820	+ 25 82 μH - 20 %	0.59(0.45)	0.46
CDPH64NP-101N□	101	+ 25 100 μH - 20 %	0.66(0.51)	0.38
CDPH64NP-121N□	121	+ 25 120 μH - 20 %	0.73(0.56)	0.37
CDPH64NP-151N□	151	+ 25 150 μH - 20 %	1.27(0.98)	0.34
CDPH64NP-181N□	181	+ 25 180 μH - 20 %	1.42(1.09)	0.30
CDPH64NP-221N□	221	+ 25 220 μH - 20 %	1.52(1.17)	0.27
CDPH64NP-271N□	271	+ 25 270 μH - 20 %	2.30(1.77)	0.25
CDPH64NP-331N□	331	+ 25 330 μH - 20 %	2.62(2.02)	0.22
CDPH64NP-391N□	391	+ 25 390 μH - 20 %	2.88(2.21)	0.20

※ Description of part name

CDPH64NP-100N□

- B Box
- C Carrier Tape

※1 Rated current: The DC current at which the inductance decreases to 75% of its nominal value or when $\Delta t=40^{\circ}\text{C}$, whichever is lower ($T_a=20^{\circ}\text{C}$).