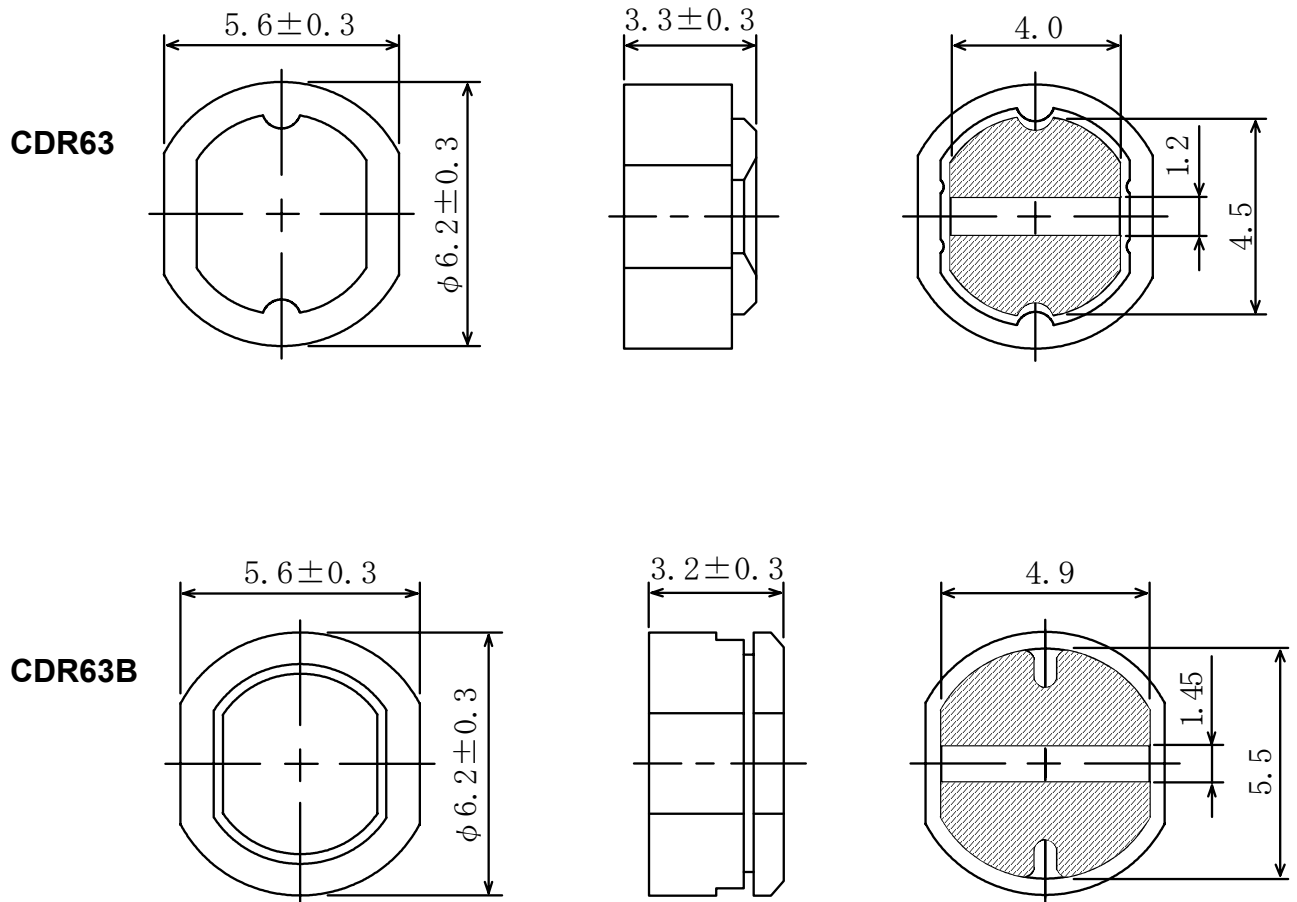


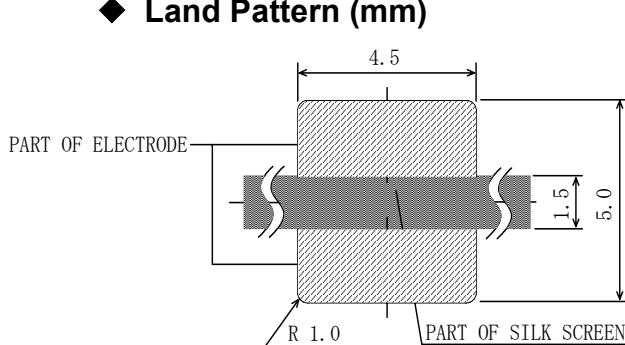
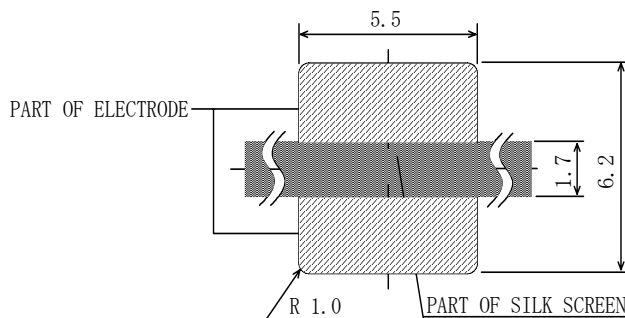
Type: CDR63, CDR63B
◆ Product Description

- 6.5×5.9mm Max.(L×W), 3.6mm Max. Height.(CDR63), 3.5mm Max. Height.(CDR63B)
- Inductance range: 10~100 μ H(CDR63) ; 10~68 μ H(CDR63B)
- Rated current range: 0.3~0.8A(CDR63) ; 0.42~1.0A(CDR63B).
- In addition to the standards versions shown here, custom inductors are also available to meet your exact requirements.


◆ Feature

- Magnetically shielded construction.
- Ideally used in Notebook PC ,LCD TV ,Game machine ,HDD,DSC/DVC, etc as DC-DC Converter inductors.
- RoHS Compliance.

◆ Dimensions (mm)


Type: CDR63, CDR63B
◆ Land Pattern (mm)

CDR63

CDR63B
◆ Specification(CDR63)

Part name ※	Stamp	Inductance [within] ※1	D.C.R.(Ω) MAX. (at 20°C)	Rated Current(A) ※2-1	S.R.F. (MHz) [Typ.]
CDR63NP-10ØM□	A	10 μH ± 20%	0.13	0.80	37.7
CDR63NP-12ØM□	B	12 μH ± 20%	0.14	0.74	31.7
CDR63NP-15ØM□	C	15 μH ± 20%	0.15	0.70	28.9
CDR63NP-18ØM□	D	18 μH ± 20%	0.18	0.64	26.7
CDR63NP-22ØM□	E	22 μH ± 20%	0.25	0.62	23.7
CDR63NP-27ØM□	F	27 μH ± 20%	0.34	0.57	18.9
CDR63NP-33ØL□	G	33 μH ± 15%	0.37	0.52	17.0
CDR63NP-39ØL□	H	39 μH ± 15%	0.39	0.45	16.6
CDR63NP-47ØL□	J	47 μH ± 15%	0.43	0.40	16.2
CDR63NP-56ØL□	K	56 μH ± 15%	0.50	0.37	13.8
CDR63NP-68ØL□	L	68 μH ± 15%	0.53	0.35	13.1
CDR63NP-82ØL□	M	82 μH ± 15%	0.75	0.32	11.8
CDR63NP-101K□	N	100 μH ± 10%	0.85	0.30	11.1

※1: Measuring frequency: 10μH ~ 82μH(at 2.52 MHz) ; 100 μH (at 1 kHz).

Type: CDR63,CDR63B
◆ Specification(CDR63B)

Part Name ※	Stamp	Inductance [Within] (at 2.52 MHz)	D.C.R.(Ω) [Max.] (at 20°C)	Rated Current(A) ※2-2	S.R.F. (MHz) [Typ.]
CDR63BNP-10ØM□	A	10 μ H ± 20%	0.14	1.00	35.3
CDR63BNP-12ØM□	B	12 μ H ± 20%	0.16	0.94	32.2
CDR63BNP-15ØM□	C	15 μ H ± 20%	0.18	0.86	29.3
CDR63BNP-18ØM□	D	18 μ H ± 20%	0.25	0.78	26.7
CDR63BNP-22ØM□	E	22 μ H ± 20%	0.32	0.76	23.1
CDR63BNP-27ØM□	F	27 μ H ± 20%	0.36	0.64	20.8
CDR63BNP-33ØL□	G	33 μ H ± 15%	0.41	0.61	18.2
CDR63BNP-39ØL□	H	39 μ H ± 15%	0.47	0.53	17.0
CDR63BNP-47ØL□	J	47 μ H ± 15%	0.51	0.50	15.3
CDR63BNP-56ØL□	K	56 μ H ± 15%	0.72	0.46	14.1
CDR63BNP-68ØL□	L	68 μ H ± 15%	0.82	0.42	12.1

※ Description of part name

CDR63BNP-10ØM□

- B Box
- C Carrier Tape

※2-1. Rated current: The D.C. current at which the inductance decreases to 80% of it's nominal value or when $\Delta t=40^{\circ}\text{C}$, whichever is lower($T_a=20^{\circ}\text{C}$).

※2-2. Rated current: The D.C. current at which the inductance decreases to 90% of it's initial value or when $\Delta t=40^{\circ}\text{C}$, whichever is lower($T_a=20^{\circ}\text{C}$).