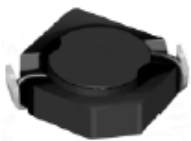
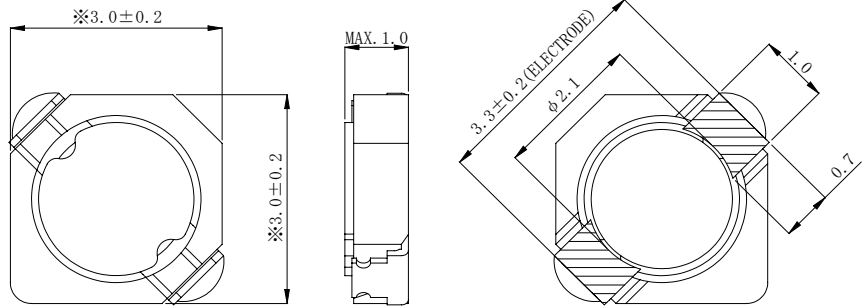


Type: CDRH2D09 , CDRH2D09C
◆ Product Description

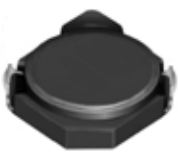
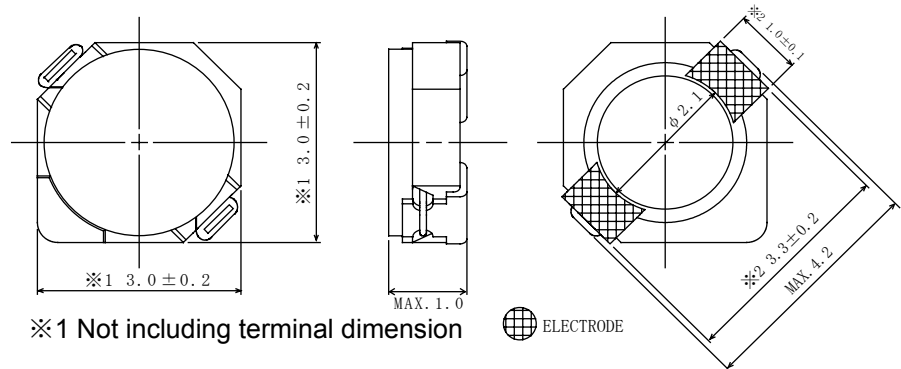
- 3.2×3.2mm Max.(L×W), 1.0mm Max. Height(CDRH2D09/ CDRH2D09C)
- Inductance range: 1.2~10 μ H (CDRH2D09), 1.2~27 μ H (CDRH2D09C)
- Rated current range: 0.28~0.8A(CDRH2D09), 0.16~0.83A(CDRH2D09C)
- Custom design is available.

◆ Feature

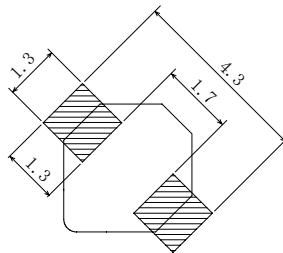
- Magnetically shielded construction.
- Ideally used in Mobilephone, PDA, MP3, DSC/DVC, etc as DC-DC Converter inductors.
- RoHS Compliance.

◆ Dimensions (mm)

CDRH2D09


※ Not including terminal dimension


CDRH2D09C


※1 Not including terminal dimension

◆ Land Pattern (mm)


Type: CDRH2D09, CDRH2D09C
◆ Specification(CDRH2D09)

Part Name ※	Stamp	Inductance (μ H) 100kHz/1V	D.C.R.(m Ω) (20 $^{\circ}$ C)	Saturation Current (mA) ※1		Temperature Rise current (mA) ※2
				(20 $^{\circ}$ C)	(100 $^{\circ}$ C)	
CDRH2D09NP-1R2M□	A	1.2 \pm 25%	70 \pm 25%	800	590	1240
CDRH2D09NP-1R5M□	B	1.5 \pm 25%	78 \pm 25%	730	520	1150
CDRH2D09NP-1R8M□	C	1.8 \pm 25%	98 \pm 25%	650	480	1060
CDRH2D09NP-2R2M□	D	2.2 \pm 25%	120 \pm 25%	600	440	1050
CDRH2D09NP-2R5M□	E	2.5 \pm 25%	135 \pm 25%	530	400	980
CDRH2D09NP-3R0M□	F	3.0 \pm 25%	150 \pm 25%	470	360	840
CDRH2D09NP-3R9M□	G	3.9 \pm 25%	205 \pm 25%	450	330	720
CDRH2D09NP-4R7M□	H	4.7 \pm 25%	220 \pm 25%	410	300	640
CDRH2D09NP-5R6M□	J	5.6 \pm 25%	320 \pm 25%	370	270	590
CDRH2D09NP-6R8M□	K	6.8 \pm 25%	340 \pm 25%	330	240	530
CDRH2D09NP-8R2M□	L	8.2 \pm 25%	390 \pm 25%	300	220	460
CDRH2D09NP-10M□	M	10 \pm 25%	450 \pm 25%	280	200	420

◆ Specification(CDRH2D09C)

Part Name ※	Stamp	Inductance (μ H) 100kHz/1V	D.C.R.(Ω) Max.(Typ.) (20 $^{\circ}$ C)	Saturation Current (A) ※1		Temperature Rise current (A) ※2
				(20 $^{\circ}$ C)	(105 $^{\circ}$ C)	
CDRH2D09CNP-1R2N□	A	1.2 \pm 25%	78m(62.4m)	0.83	0.64	1.55
CDRH2D09CNP-1R5N□	B	1.5 \pm 25%	88m(70.6m)	0.70	0.52	1.35
CDRH2D09CNP-2R4N□	D	2.4 \pm 25%	119m(95.0m)	0.58	0.45	1.10
CDRH2D09CNP-3R3N□	F	3.3 \pm 25%	174m(139m)	0.50	0.38	0.90
CDRH2D09CNP-4R7N□	H	4.7 \pm 25%	238m(190m)	0.38	0.30	0.80
CDRH2D09CNP-6R4N□	K	6.4 \pm 25%	290m(232m)	0.36	0.27	0.65
CDRH2D09CNP-8R2N□	L	8.2 \pm 25%	0.40(0.32)	0.31	0.25	0.56
CDRH2D09CNP-10N□	M	10 \pm 25%	0.50(0.40)	0.30	0.23	0.51
CDRH2D09CNP-12N□	N	12 \pm 25%	0.55(0.44)	0.27	0.20	0.45
CDRH2D09CNP-15N□	P	15 \pm 25%	0.65(0.52)	0.24	0.18	0.42
CDRH2D09CNP-18N□	Q	18 \pm 25%	0.77(0.61)	0.22	0.17	0.38
CDRH2D09CNP-22N□	R	22 \pm 25%	0.94(0.75)	0.20	0.15	0.35
CDRH2D09CNP-27N□	S	27 \pm 25%	1.11(0.88)	0.16	0.12	0.32

※ Description of part name

CDRH2D09CNP-1R2N□

- B Box
- C Carrier Tape

※1.Saturation Current: The DC current at which the inductance decreases to 65% of it's nominal value

※2.Temperature rise current: The DC current at which the temperature rise is $\Delta t=40^{\circ}$ C.($T_a=20^{\circ}$ C)