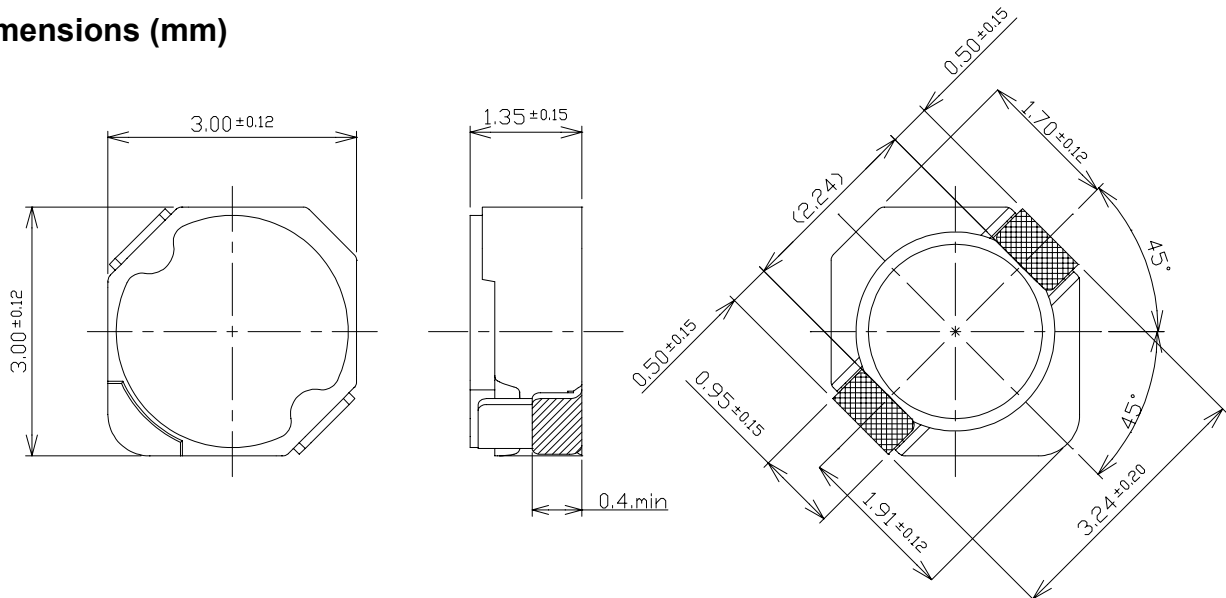
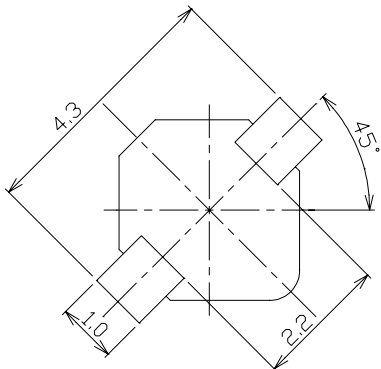


Type: CDRH2D13
SONY USE ONLY
◆ Product Description

- 3.12×3.12mm Max.(L×W),1.5mm Max.Height.
- Inductance Range: 4.7 μ H.
- Rated current range:0.92 A.

◆ Feature

- Magnetically shielded construction.
- Ideally used in Mobilephone,PDA,MP3,DSC/DVC,etc as DC-DC Converter inductors.
- RoHS Compliance.

◆ Dimensions (mm)

◆ Land Pattern (mm)


Type: CDRH2D13
◆ Specification

Part Name ※	Stamp	Inductance (μ H) [Within] 100kHz/1V	D.C.R.(m Ω) Max.(Typ.) (at 20°C)	Saturation current (A) ※ 1	Temperature rise current (A)※2
CDRH2D13NP-4R7M□	A	4.7 \pm 20%	126(105)	0.92	1.00

※ Description of part Name

CDRH2D13NP-4R7M□

- B Box
- C Carrier Tape

※1.Saturation Current: The DC current at which the inductance decreases to 70% of it's nominal value.(Ta=20°C)

※2 Temperature rise current: The DC current at which the temperature rise is $\Delta t=40^{\circ}\text{C}$.(Ta=20°C)

SONY USE ONLY