

TECHNICAL EVALUATION

Type: CDRH2D23/HP



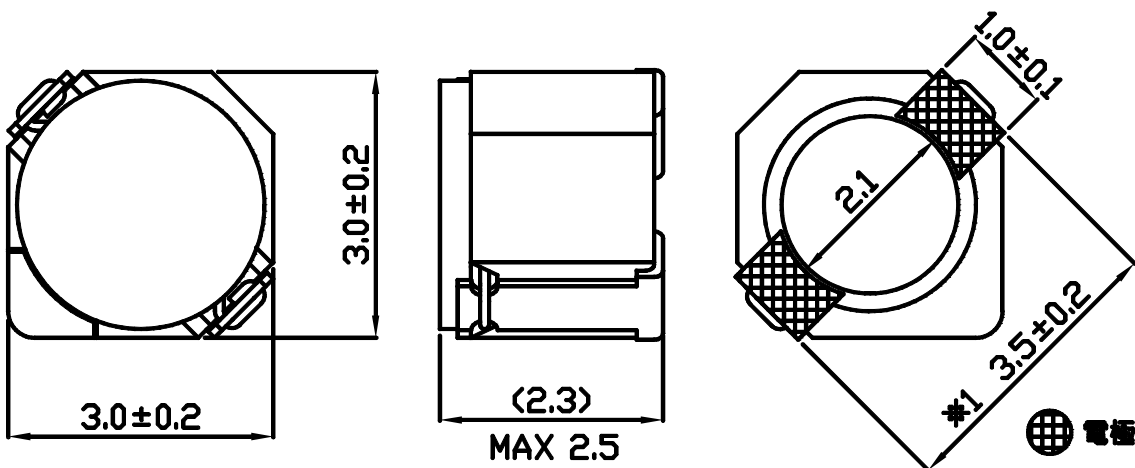
◆ Product Description

- 3.2×3.2mm Max.(L×W),2.5mm Max. Height.
- Inductance range: 1.7~2.2 μ H
- Rated current range:0.57A-2.05A
- In addition to the standard versions of inductors shown here, custom inductors are available to meet your exact requirements.

◆ Feature

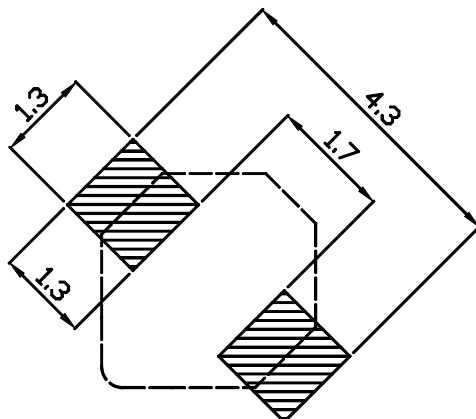
- Magnetically shielded construction.
- Ideally used in Mobilephone,PDA,MP3,DSC/DVC,Portable DVD,etc as DC-DC Converter inductors.
- RoHS Compliance.

◆ Dimensions (mm)



※ Not including terminal dimension.

◆ Land Pattern (mm)



Type: CDRH2D23/HP

TECHNICAL EVALUATION

◆ Specification

Part Name ※	Stamp	Inductance [Within] 100kHz/1V	D.C.R.(mΩ) Max.(Typ.) (at 20°C)	Saturation Current (A) ※1		Temperature Rise current (A) ※2
				(at 20°C)	(at 100°C)	
CDRH2D23HPNP-1R7N□	A	1.7 μH ± 30%	44(35)	2.05	1.40	2.35
CDRH2D23HPNP-2R2N□	C	2.2 μH ± 30%	57(46)	1.80	1.20	1.95
CDRH2D23HPNP-3R3N□	E	3.3 μH ± 30%	81(65)	1.42	1.00	1.54
CDRH2D23HPNP-4R7N□	G	4.7 μH ± 30%	118(95)	1.24	0.84	1.32
CDRH2D23HPNP-6R3N□	J	6.3 μH ± 30%	153(123)	1.04	0.75	1.02
CDRH2D23HPNP-100N□	L	10 μH ± 30%	230(185)	0.84	0.55	0.88
CDRH2D23HPNP-150N□	N	15 μH ± 30%	343(275)	0.70	0.48	0.70
CDRH2D23HPNP-220N□	Q	22 μH ± 30%	490(395)	0.57	0.40	0.58

※ Description of Part Name

CDRH2D23HPNP-1R7N□

- B Box
- C Carrier Tape

※1.Saturation Current: The DC current at which the inductance decreases to 65% of it's nominal value

※2 Temperature rise current: The DC current at which the temperature rise is Δt=40°C.(Ta=20°C)