

Type: CDRH35C

APPLE USE ONLY

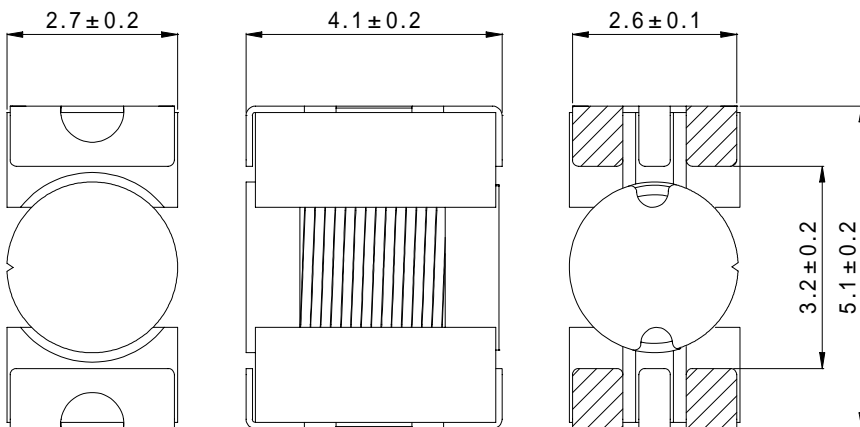
Product Description

- 5.3 × 2.9mm Max.(L × W),4.3mm Max.Height.
- Inductance range: 10 μ H.
- Rated current range:1.3A.
- In addition to the standards versions shown here, custom inductors are also available to meet your exact requirements.

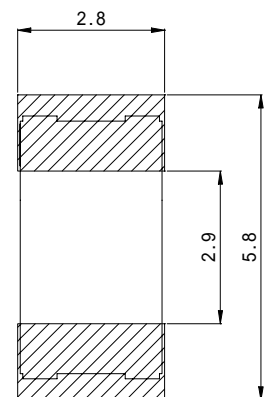
Feature

- Magnetically shielded construction.
- Ideally used in Mobilephone,PDA,MP3,DSC/DVC,etc as DC-DC Converter inductors.
- RoHS Compliance.

Dimensions (mm)



Land Pattern (mm)



Elect rode

Specification

	(1 - 2) Between	Measuring conditions
Inductance	1 0 . 0 μ H ± 3 0 % within	1 0 0 k H z
D.C.R.	7 8 m ± 2 5 % within	a t 2 0
Saturation Current 1	1 . 3 A	a t 2 0
Temperature Rise Current 2	2 . 0 A	

1.Saturation Current: The DC current at which the inductance decreases to 70% of it's nominal value.
 2.Temperature rise current:The DC current at which the temperature rise is t = 40 .(Ta = 20)