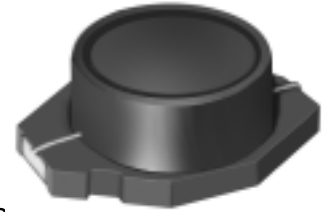
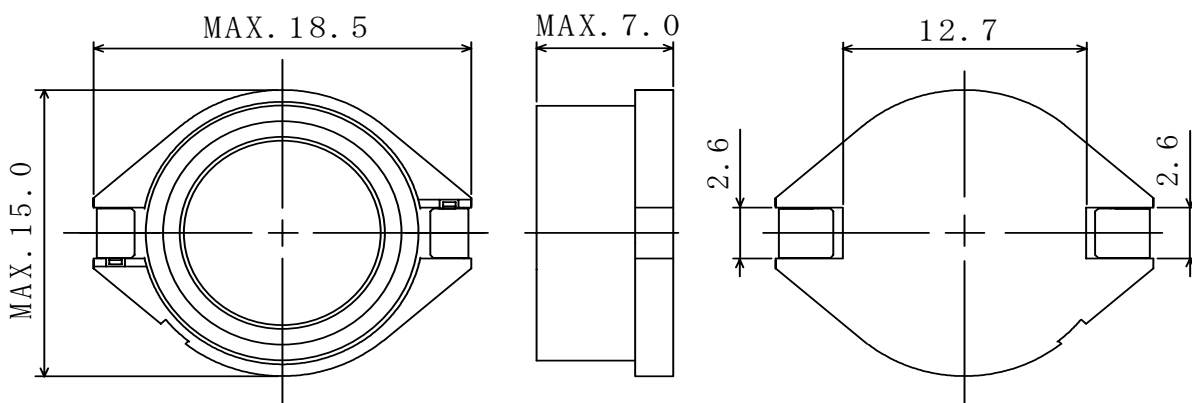
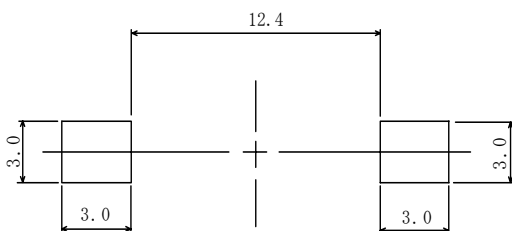


Type: CDRR157
◆ Product Description

- 18.5×15mm Max.(L×W), 7.0mm Max. Height.
- Inductance range: 1.3~1000 μ H.
- Rated current range: 0.4~9.2A.
- In addition to the standards versions shown here, custom inductors are also available to meet your exact requirements.


◆ Feature

- Magnetically shielded construction.
- Ideally used in Portable Computers, Video Recorder, DSC/DVC, etc as DC-DC Converter inductors.
- RoHS Compliance.

◆ Dimensions (mm)

◆ Land Pattern (mm)


Type: CDRR157
◆ Specification

Part Name ※	Stamp	Inductance [Within] 100kHz	D.C.R.(mΩ) Max.(Typ.) (at 20°C)	Saturation Current (A) ※1	Temperature rise current (A) ※2
CDRR157NP-1R3M□	1R3M	1.3 μH ± 20%	5.7(4.5)	17.0	9.2
CDRR157NP-2R0M□	2R0M	2.0 μH ± 20%	7.0(5.6)	13.4	9.0
CDRR157NP-2R7M□	2R7M	2.7 μH ± 20%	8.3(6.6)	12.0	8.0
CDRR157NP-3R3M□	3R3M	3.3 μH ± 20%	9.6(7.7)	10.8	7.5
CDRR157NP-4R7M□	4R7M	4.7 μH ± 20%	12.9(10.3)	9.2	6.5
CDRR157NP-6R8M□	6R8M	6.8 μH ± 20%	16.5(13.2)	7.6	6.0
CDRR157NP-100M□	100M	10 μH ± 20%	25.0(20.0)	6.4	5.0
CDRR157NP-150M□	150M	15 μH ± 20%	37.5(30.0)	5.0	3.8
CDRR157NP-220M□	220M	22 μH ± 20%	47.0(37.5)	4.2	3.5
CDRR157NP-330M□	330M	33 μH ± 20%	69.0(55.0)	3.5	2.7
CDRR157NP-470M□	470M	47 μH ± 20%	105.0(84.0)	2.9	2.0
CDRR157NP-680M□	680M	68 μH ± 20%	166.0(133)	2.4	1.6
CDRR157NP-101M□	101M	100 μH ± 20%	244.0(195)	2.0	1.3
CDRR157NP-151M□	151M	150 μH ± 20%	330.0(264)	1.6	1.1
CDRR157NP-221M□	221M	220 μH ± 20%	485.0(388)	1.3	0.9
CDRR157NP-271M□	271M	270 μH ± 20%	595.0(475)	1.2	0.8
CDRR157NP-331M□	331M	330 μH ± 20%	738.0(590)	1.1	0.7
CDRR157NP-471M□	471M	470 μH ± 20%	1000.0(800)	0.9	0.6
CDRR157NP-681M□	681M	680 μH ± 20%	1544(1227)	0.75	0.5
CDRR157NP-102M□	102M	1000 μH ± 20%	2388(1910)	0.60	0.4

※ Description of Part Name

CDRR157NP-1R3M□

B Box
 C Carrier Tape

※1. Saturation current: The DC current at which the inductance decreases to 90% of its initial value.(Ta=20°C).

※2. Temperature rise current: The DC current at which the temperature rise is Δt=40°C.(Ta=20°C).