

**Type: CEEH1310**

◆ **Product Description**

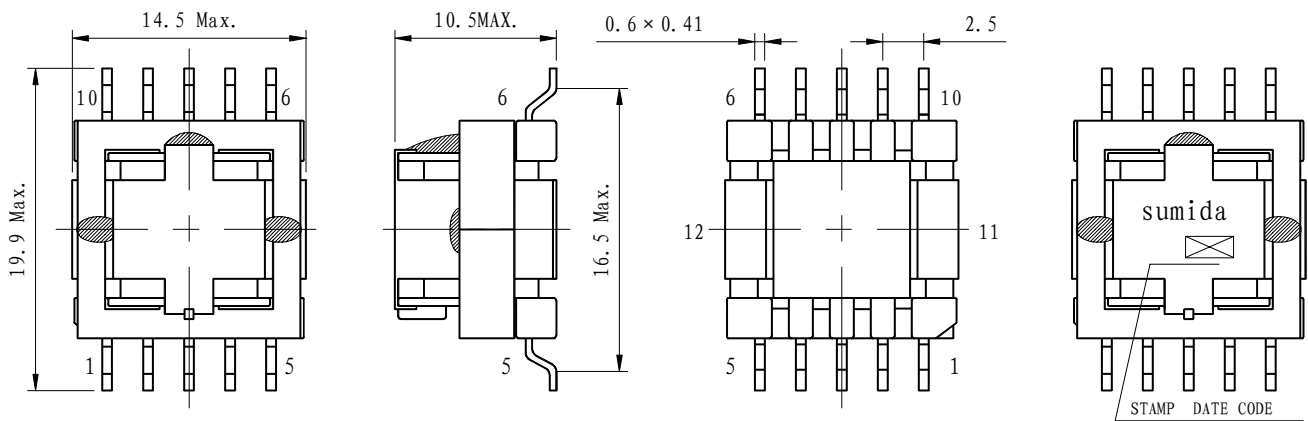
- 19.9×14.5mm Max.(L×W), 10.5mm Max. Height .
- Custom design is available.



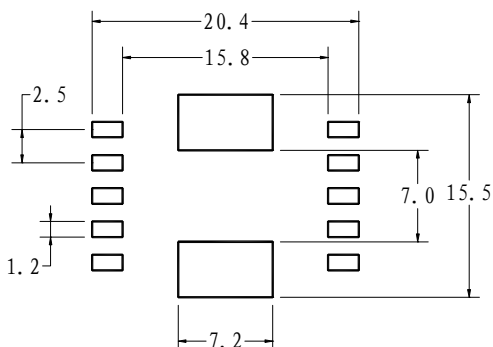
◆ **Feature**

- Low profile SMD type.
- Low primary DCR version.
- Current rating: up to 35A.
- Operating Frequency range: 50kHz~500kHz.
- RoHS Compliance

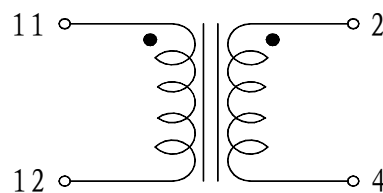
◆ **Dimensions (mm)**



◆ **Land Pattern**



◆ **Schematics (Bottom)**



**Type: CEEH1310**
**◆ Specification**

NO.	Sample No.	Turns Ratio	Inductance (mH) (2-4) 1kHz/0.1V	D.C.R.(mΩ) [at20°C] [MAX.]		Rated Current(A)	HI-POT (Vrms) (11,12)-(2,4)	STAMP
				11-12	2-4			
01	1335-T003	1:200	34±30%	3.0	3200	35	500	003
02	1335-T004	1:150	19.2±30%	3.0	2250	35	500	004
03	1335-T005	1:125	13.3±30%	3.0	1850	35	500	005
04	1335-T006	1:100	8.50±30%	3.0	1450	35	500	006
05	1335-T007	1:80	5.44±30%	3.0	1150	35	500	007
06	1335-T008	1:70	4.16±30%	3.0	1000	35	500	008
07	1335-T009	1:60	3.06±30%	3.0	850	35	500	009
08	1335-T010	1:50	2.12±30%	3.0	705	35	500	010
09	1335-T011	1:40	1.36±30%	3.0	560	35	500	011
10	1335-T012	1:30	0.76±30%	3.0	265	35	500	012
11	1335-T013	1:20	0.34±30%	3.0	180	35	500	013