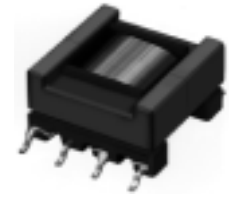
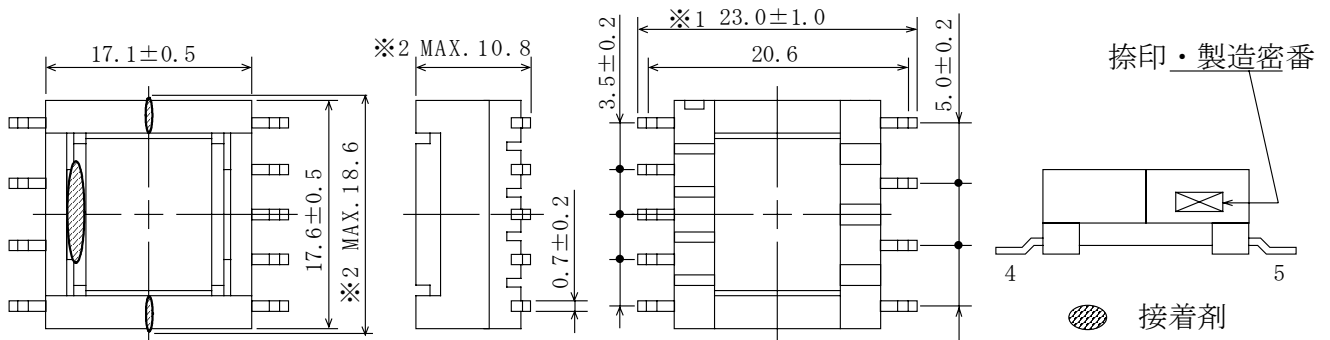
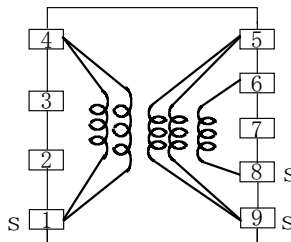


Type: CEPH1710
◆ Product Description

- 24.0×18.6mm Max.(L×W), 10.8mm Max. Height.
- In addition to the typical versions of parameters shown here, custom parameters are available to meet your exact requirements.


◆ Feature

- Max. Operating frequency 500kHz,Max. Operating Power 14.0W(500kHz).
- Ideally used in PoE transformer.
- RoHS Compliance

◆ Dimensions (mm)

◆ Schematics (Bottom)


“S” indicates winding start.

◆ Specification

Sample No.	Turns Ratio (Pri:Sec:Aux)	Primary Inductance 100kHz/0.1V	Pri-Sec. Insulation	Leakage L (μ H Max.)	D.C.R. (m Ω Max.)		
					Pri.	Aux.	Sec.
6383-T273	1:2.33:2.22	14 μ H ±20%	AC1500Vrms (50/60Hz, 1min.)	0.12	45	220	100