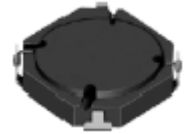
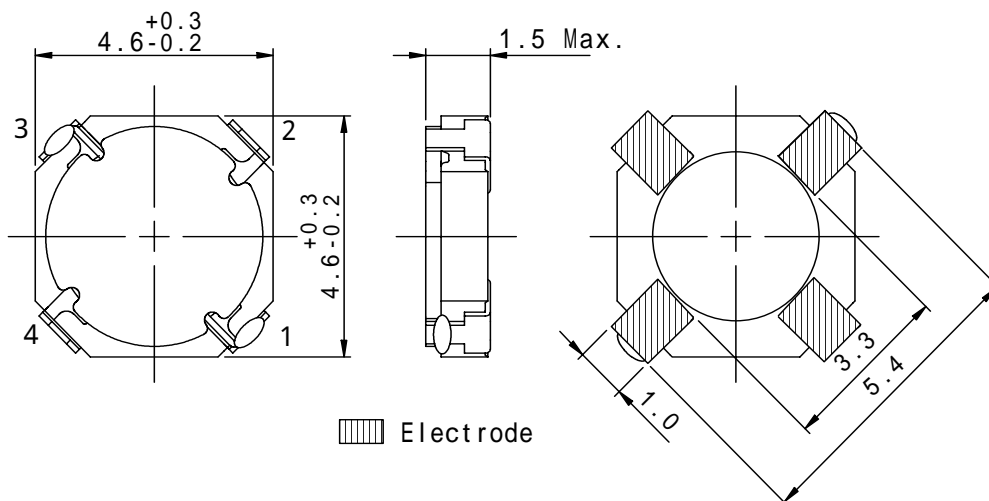
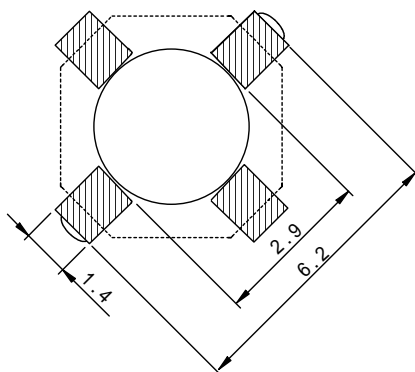
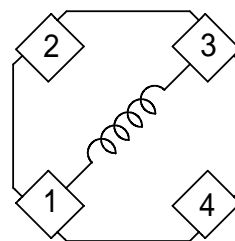
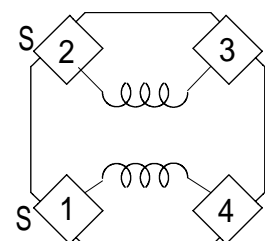


**Type: CLS4D14**
**Product Description**

- 4.9 × 4.9mm Max.(L × W),1.5mm Max. Height.
- 4 Terminal pins' type gives a flexible design as inductors or transformers (SEPIC,ZETA circuit)
- Custom design is available.


**Feature**

- Max. Operating frequency 1MHz, Max.
- Ideally used in portable devices such as Mobilephone,DSC/DVC,MP3,PDA, etc as DC-DC Converter inductors, specially suitable for White LED drive.
- It is possible to output high voltage and get sufficient accuracy which is hard to obtain with an ordinary inductor.
- RoHS Compliance

**Dimensions (mm)**

**Land Pattern (mm)**

**Schematics (Bottom)**

**For Inductor**

**For 2 in 1 Transformer**

**Type: CLS4D14**
**Specification (For Inductor)**

Part Name	Stamp	Inductance ( $\mu$ H) [ Within ] 100kHz	D.C.R.(m $\Omega$ ) Max.(Typ.) (at 20 $^{\circ}$ C)	Saturation Current (mA) (at 20 $^{\circ}$ C) 1	Temperature rise current (mA) 2
CLS4D14-4R7N	4R7	4.7 $\pm$ 30%	110(85)	900	1000
CLS4D14-6R8N	6R8	6.8 $\pm$ 30%	130(100)	800	1000
CLS4D14-10 $\emptyset$ N	100	10 $\pm$ 30%	180(140)	650	850
CLS4D14-15 $\emptyset$ N	150	15 $\pm$ 30%	270(210)	550	630
CLS4D14-22 $\emptyset$ N	220	22 $\pm$ 30%	390(300)	450	520
CLS4D14-33 $\emptyset$ N	330	33 $\pm$ 30%	560(430)	350	420
CLS4D14-47 $\emptyset$ N	470	47 $\pm$ 30%	830(640)	300	330

**Description Of Part Name**

CLS4D14NP - 4R7N

└──	B	Box
└──	C	Carrier Tape

1. Saturation current: The DC current at which the inductance decreases to 65% of it's nominal value.
2. Temperature rise current: The DC current at which the temperature rise is  $t = 40^{\circ}$  C. ( $T_a = 20^{\circ}$  C).

**Specification (For 2 in 1 Transformer)**

Sample No.	Inductance (at 100kHz)	D.C.R.(m $\Omega$ ) Max. (at 20 $^{\circ}$ C)	Rated current (mA)
5362-T033	9.0 $\mu$ H $\pm$ 30%	400	410

Rated current: The DC current at which the inductance decreases to 90 % of it's initial value or when  $t = 40^{\circ}$  C, whichever is lower ( $T_a = 20^{\circ}$  C).