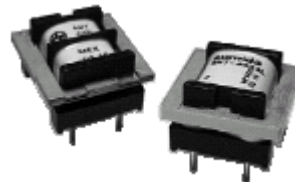
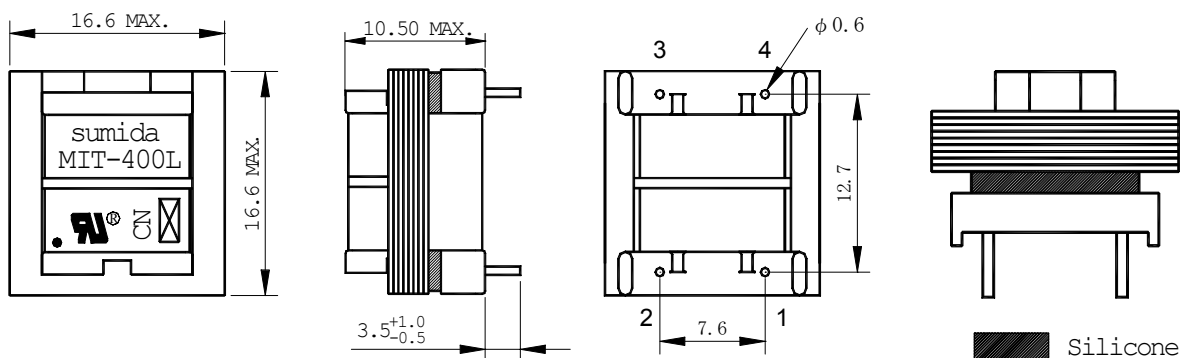
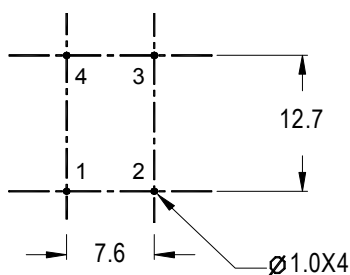
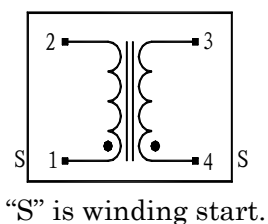


**Type: MT1610A/MT1610B/MT1610C**
**◆ Product Description**

- 16.6×16.6mm Max.(L×W),10.5mm Max. (MT1610C:11.7mm Max.)Height.
- Operating frequency: 4MHz Max.


**◆ Feature**

- International safety standard approved for reinforced isolation.
- Silicone Steel is used.
- Ideally used in set-top box,FAX,MODEM.
- V.92(56kbps) to V.32bis(14.4kbps).
- RoHS Compliance.

**◆ Dimensions (mm)**

**◆ Land Pattern (mm)**

**◆ Schematics(Bottom)**

**◆ Specification**

Part Name	Type	Speed	Impedance( $\Omega$ ) PRI:SEC	THD@600Hz (dB)	IL(dB)	RL(dB)	D.C.R.( $\Omega$ ) PRI:SEC
MIT4033L	MT1610A	V.92	600:420	-85	1.90	20	82:106
MIT2050L	MT1610B	V.92	600:560	-87	1.55	17	70:70
MIT250L	MT1610B	V.34	600:560	-84	1.55	17	70:70
MIT400L	MT1610B	V.32bis	600:600	-62	1.80	14	70:70
MIT4211	MT1610C	V.92	600:560	-85	1.50	18	67:67
MIT4212	MT1610C	V.32	600:560	-65	2.00	14	67:67