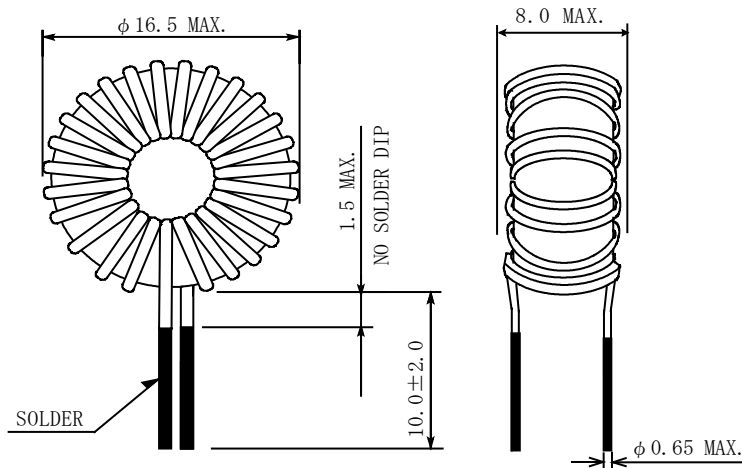


Type: PFN0716
◆ Product Description

- ϕ 16.5mm \times 8.0mm. Max
- In addition to the typical versions of parameters shown here, custom parameters are available to meet your exact requirements.


◆ Feature

- Iron dust core is used to realize better DC Saturation characteristics and higher noise absorption effect.
- Less leakage magnetic flux.
- Ideally used as normal mode chokes EMI suppression in power supplies or signal lines.
- Elimination for impulse noise.
- RoHS Compliance

◆ Dimensions (mm)

◆ Specification

Part Name.	Inductance (μ H) [MIN.] At 1kHz	D.C.R.(m Ω) [MAX.] (at20 $^{\circ}$ C)	Impedance [MIN.]			Rated Current (A) \times 1
			①	②	③	
PFN0716NP-NM29A	21	43	544 Ω a t 5MHz	1180 Ω a t 10MHz	1245 Ω a t 20MHz	5.4
PFN0716NP-NM39A	37	58	1245 Ω a t 5MHz	2070 Ω a t 7MHz	950 Ω a t 15MHz	2.9

\times 1. Rated current: The DC current at which the temperature rise is $\Delta t=40^{\circ}$ C.($T_a=20^{\circ}$ C).