

# 4 PORT 0°/180° HYBRID SURFACE MOUNT MODEL: DJS-345

**FREQUENCY**

**30 - 450 MHz**

**FEATURES:**

- ▶ Ultra-Wide Bandwidth (15:1)
- ▶ High Power Handling
- ▶ Closely Controlled Phase/Amplitude Unbalance
- ▶ Lead Free Rel-Pro® Technology
- ▶ Small Size, Surface Mount



**SPECIFICATIONS**

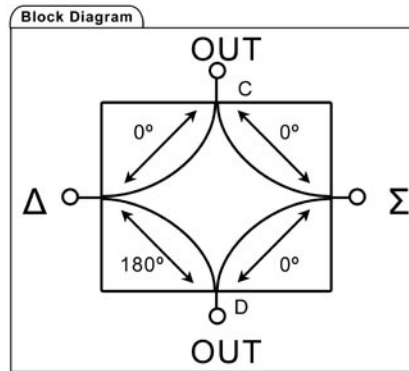
<b>Frequency</b>	30 - 450 MHz	
<b>Insertion Loss (dB) *</b>	Typ.	Max.
	0.75	1.2
<b>Amplitude Unbalance (dB)</b>	Typ.	Max.
	0.3	0.8
<b>Phase Unbalance (Deg.)</b>	Typ.	Max.
	± 2.5°	± 4°
<b>Isolation (dB)</b>	Typ.	Min.
	23	18
<b>Input Power Rating</b>	5 Watts (Nom.)	
<b>Impedance</b>	50 Ohms (Nom.)	
<b>VSWR</b>	Sum Input	All Other
	1.22:1 (Typ.)	1.25:1 (Typ.)
<b>Operating Temperature Range</b>	-30 to +70 °C	

\* Above theoretical split loss of 3 dB.

**Package # 301LF-1**

**PORT IDENTIFICATION**

Sum ( $\Sigma$ )	Delta ( $\Delta$ )	0° Output	180° Output	GND
8	1	4	5	All Others

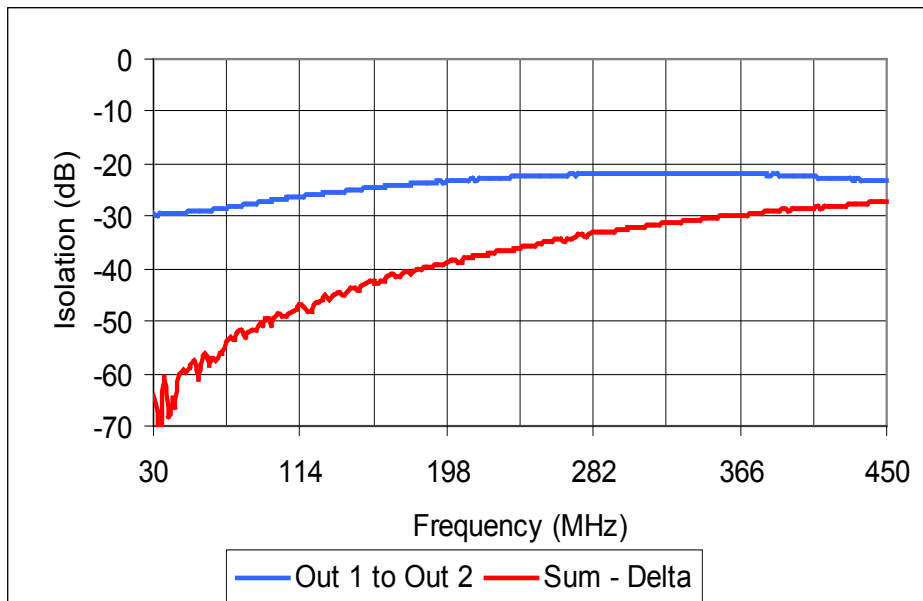
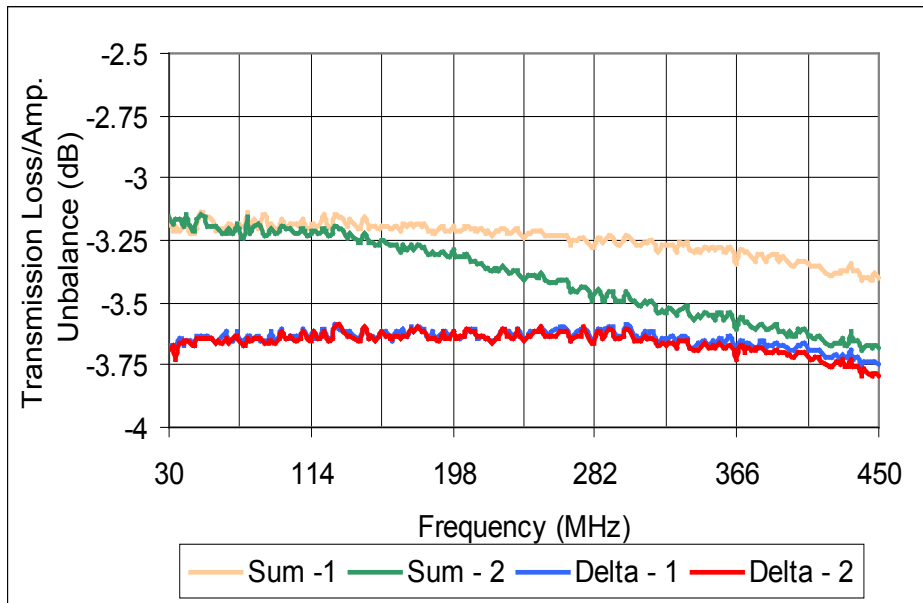


# 4 PORT 0°/180° HYBRID SURFACE MOUNT MODEL: DJS-345

FREQUENCY

30 - 450 MHz

PERFORMANCE PLOTS

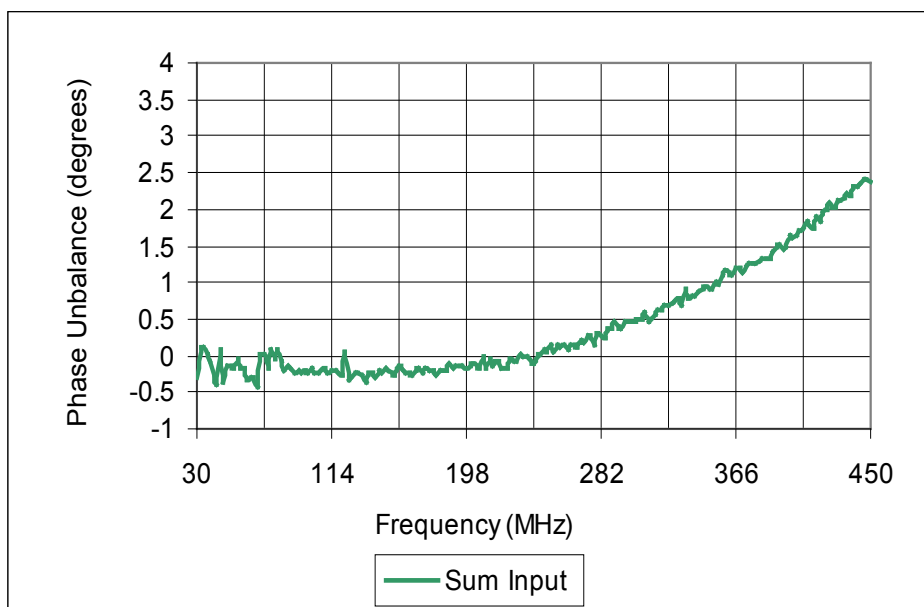
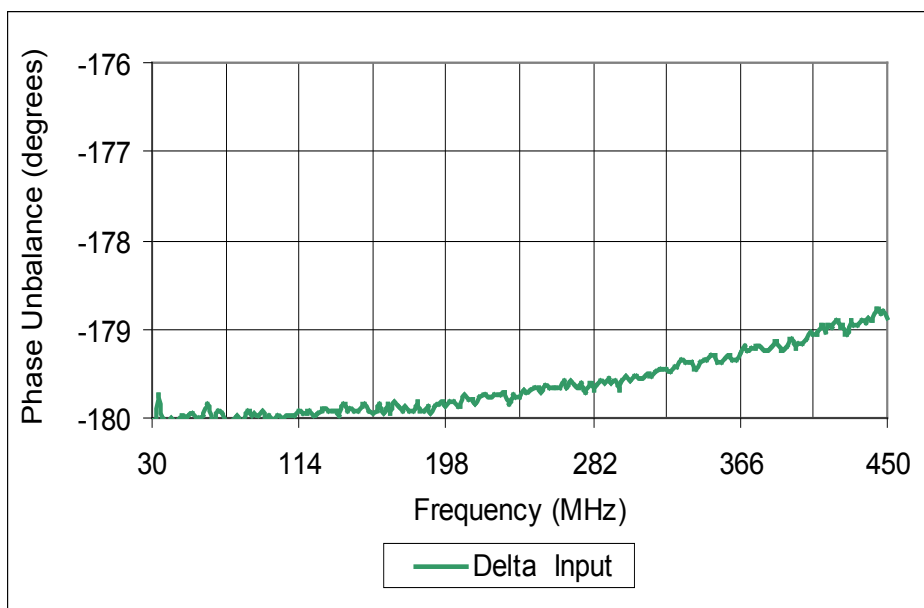


# 4 PORT 0°/180° HYBRID SURFACE MOUNT MODEL: DJS-345

FREQUENCY

30 - 450 MHz

PERFORMANCE PLOTS



# 4 PORT 0°/180° HYBRID SURFACE MOUNT MODEL: DJS-345

FREQUENCY

30 - 450 MHz

PERFORMANCE PLOTS

