

SGM4717YD

4.5Ω, 300MHz Bandwidth, Dual, SPDT Analog Switch

GENERAL DESCRIPTION

The SGM4717YD is a dual, bidirectional, single-pole/double-throw (SPDT) CMOS analog switch that designed to operate from a single +1.8V to +5.5V supply. It features high-bandwidth (300MHz) and ON-resistance (4.5Ω TYP), targeted applications for audio switching.

SGM4717YD features guaranteed on-resistance matching (1.2Ω max) between switches and guaranteed on-resistance flatness over the signal range (2Ω TYP). This ensures excellent linearity and low distortion when switching audio signals.

The SGM4717YD is a committed dual single-pole/double-throw (SPDT) that consist of two normally open (NO) and two normally close (NC) switches. This configuration can be used as a dual 2-to-1 multiplexer.

SGM4717YD is available in Pb-free DFN-10 package.

APPLICATIONS

Portable Instrumentation
Battery-Operated Equipment
Computer Peripherals
Cell Phones
PDAs
MP3s

FUNCTION TABLE

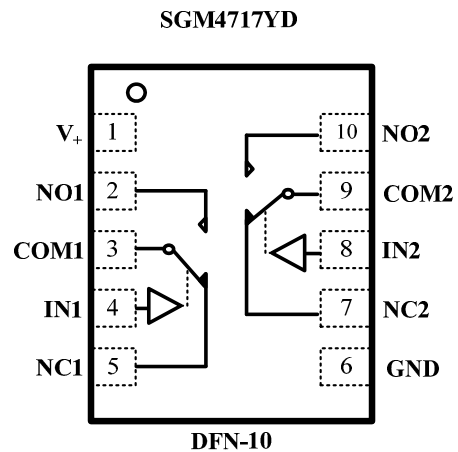
LOGIC	NO	NC
0	OFF	ON
1	ON	OFF

Switches Shown For Logic "0" Input

FEATURES

- Voltage Operation: 1.8V to 5.5V
- On-Resistance: 4.5Ω (TYP) at 5.0V
- High Bandwidth: 300 MHz
- Fast Switching Time
 - ton 26 ns
 - toff 20 ns
- High Off-Isolation: -57dB at 10MHz
- Low Crosstalk: -99dB at 10MHz
- Rail-to-Rail Operation
- TTL/CMOS Compatible
- Break-Before-Make Switching
- Extended Industrial Temperature Range:
 - 40°C to +85°C
- DFN-10 Package

PIN CONFIGURATION (TOP VIEW)



ELECTRICAL CHARACTERISTICS

($V_+ = +2.7V$ to $+3.6V$, $V_{IH} = +1.4V$, $V_{IL} = +0.5V$, $T_A = -40^\circ C$ to $+85^\circ C$, Typical values are at $V_+ = +3.0V$, $T_A = +25^\circ C$, unless otherwise noted.)

PARAMETER	SYMBOL	CONDITIONS	TEMP	MIN	TPY	MAX	UNITS
ANALOG SWITCH							
Analog Signal Range	V_{NO}, V_{NC}, V_{COM}		-40°C to +85°C	0		V_+	V
On-Resistance	R_{ON}	$V_+ = 2.7V$, V_{NO} or $V_{NC} = 1.5V$, $I_{COM} = -10$ mA, Test Circuit 1	+25°C		7	13	Ω
			-40°C to +85°C			14	Ω
On-Resistance Match Between Channels	ΔR_{ON}	$V_+ = 2.7V$, V_{NO} or $V_{NC} = 1.5V$, $I_{COM} = -10$ mA, Test Circuit 1	+25°C		0.3	1	Ω
			-40°C to +85°C			1.5	Ω
On-Resistance Flatness	$R_{FLAT(ON)}$	$V_+ = 2.7V$, V_{NO} or $V_{NC} = 1.0V, 1.5V, 2.0V$, $I_{COM} = -10$ mA, Test Circuit 1	+25°C		5	8	Ω
			-40°C to +85°C			9	Ω
Source OFF Leakage current	$I_{NC(OFF)}, I_{NO(OFF)}$	$V_+ = 3.6V$, V_{NO} or $V_{NC} = 0.3V, 3.3V$, $V_{COM} = 0.3V, 3.3V$,	-40°C to +85°C			1	μA
Channel ON Leakage current	$I_{NC(ON)}, I_{NO(ON)}, I_{COM(ON)}$	$V_+ = 3.6V$, $V_{COM} = 0.3V, 3.3V$, V_{NO} or $V_{NC} = 0.3V, 3.3V$, or floating	-40°C to +85°C			1	μA
DIGITAL INPUTS							
Input High Voltage	V_{INH}		-40°C to +85°C	1			V
Input Low Voltage	V_{INL}		-40°C to +85°C			0.5	V
Input Leakage Current	I_{IN}	$V_+ = 5.5V$, $V_{IN} = 0$ or $3.6V$	-40°C to +85°C			1	μA
DYNAMIC CHARACTERISTICS							
Turn-On Time	t_{ON}	V_{NO} or $V_{NC} = 1.5V$, $R_L = 300\Omega$, $C_L = 35pF$, Test Circuit 2; $V_{IH} = 1.5V$, $V_{IL} = 0V$	+25°C		23		ns
Turn-Off Time	t_{OFF}	V_{NO} or $V_{NC} = 1.5V$, $R_L = 300\Omega$, $C_L = 35pF$, Test Circuit 2; $V_{IH} = 1.5V$, $V_{IL} = 0V$	+25°C		22		ns
Break-Before-Make Time Delay	t_d	V_{NO1} or $V_{NC1} = V_{NO2}$ or $V_{NC2} = 3V$, $R_L = 300\Omega$, $C_L = 35pF$, Test Circuit 3	+25°C		4		ns
Skew	t_{SKEW}	$R_S = 39\Omega$, $C_L = 50pF$, Test Circuit 4	+25°C		5		ns
Off Isolation	O_{ISO}	$R_L = 50\Omega$, $C_L = 5pF$, Signal = 0dBm, Test Circuit 5	f = 10MHz	+25°C		-57	dB
			f = 1MHz	+25°C		-76	dB
Channel-to-Channel Crosstalk	X_{TALK}	$R_L = 50\Omega$, $C_L = 5pF$, Test Circuit 6	f = 10MHz	+25°C		-98	dB
			f = 1MHz	+25°C		-103	dB
Bandwidth -3 dB	BW	Signal = 0dBm, $R_L = 50\Omega$, $C_L = 5pF$, Test Circuit 7	+25°C		300		MHz
POWER REQUIREMENTS							
Power Supply Range	V_+		-40°C to +85°C	1.8		5.5	V
Power Supply Current	I_+	$V_+ = +5.5V$, $V_{IN} = 0V$ or V_+	-40°C to +85°C			2	μA

Specifications subject to change without notice.

ELECTRICAL CHARACTERISTICS

(V₊ = +4.5V to +5.5V, V_{IH} = +2.0V, V_{IL} = +0.5V, T_A = -40°C to +85°C, Typical values are at V₊ = +5.0V, T_A = +25°C, unless otherwise noted.)

PARAMETER	SYMBOL	CONDITIONS	TEMP	MIN	TPY	MAX	UNITS
ANALOG SWITCH							
Analog Signal Range	V _{NO} , V _{NC} , V _{COM}		-40°C to +85°C	0		V ₊	V
On-Resistance	R _{ON}	V ₊ = 4.5V, V _{NO} or V _{NC} = 3.5V, I _{COM} = -10 mA, Test Circuit 1	+25°C		4.5	8	Ω
			-40°C to +85°C			8.5	Ω
On-Resistance Match Between Channels	ΔR _{ON}	V ₊ = 4.5V, V _{NO} or V _{NC} = 3.5V, I _{COM} = -10 mA, Test Circuit 1	+25°C		0.4	1.2	Ω
			-40°C to +85°C			1.7	Ω
On-Resistance Flatness	R _{FLAT(ON)}	V ₊ = 4.5V, V _{NO} or V _{NC} = 1.0V, 2.0V, 3.5V, I _{COM} = -10 mA, Test Circuit 1	+25°C		2	3.5	Ω
			-40°C to +85°C			4	Ω
Source OFF Leakage current	I _{NC(OFF)} , I _{NO(OFF)}	V ₊ = 5.5V, V _{NO} or V _{NC} = 1.0V, 4.5V, V _{COM} = 1.0V, 4.5V,	-40°C to +85°C			1	μA
Channel ON Leakage current	I _{NC(ON)} , I _{NO(ON)} , I _{COM(ON)}	V ₊ = 5.5V, V _{COM} = 1.0V, 4.5V, V _{NO} or V _{NC} = 1.0V, 4.5V, or floating	-40°C to +85°C			1	μA
DIGITAL INPUTS							
Input High Voltage	V _{INH}		-40°C to +85°C	1.5			V
Input Low Voltage	V _{INL}		-40°C to +85°C			0.5	V
Input Leakage Current	I _{IN}	V ₊ = +5.5V, V _{IN} = 0 or 5.5V	-40°C to +85°C			1	μA
DYNAMIC CHARACTERISTICS							
Turn-On Time	t _{ON}	V _{NO} or V _{NC} = 3.0V, R _L = 300Ω, C _L = 35pF, Test Circuit 2; V _{IH} = 1.5V, V _{IL} = 0V	+25°C		26		ns
Turn-Off Time	t _{OFF}	V _{NO} or V _{NC} = 3.0V, R _L = 300Ω, C _L = 35pF, Test Circuit 2; V _{IH} = 1.5V, V _{IL} = 0V	+25°C		20		ns
Break-Before-Make Time Delay	t _D	V _{NO1} or V _{NC1} = V _{NO2} or V _{NC2} = 3V, R _L = 300Ω, C _L = 35pF, Test Circuit 3	+25°C		4		ns
Skew	t _{SKEW}	R _S = 39Ω, C _L = 50pF, Test Circuit 4	+25°C		5.8		ns
Off Isolation	O _{ISO}	R _L = 50Ω, C _L = 5pF, Signal = 0dBm, Test Circuit 5	f = 10MHz	+25°C		-57	dB
			f = 1MHz	+25°C		-76	dB
Channel-to-Channel Crosstalk	X _{TALK}	R _L = 50Ω, C _L = 5pF, Test Circuit 6	f = 10MHz	+25°C		-99	dB
			f = 1MHz	+25°C		-110	dB
Bandwidth -3 dB	BW	Signal = 0dBm, R _L = 50Ω, C _L = 5pF, Test Circuit 7	+25°C		300		MHz
POWER REQUIREMENTS							
Power Supply Range	V ₊		-40°C to +85°C	1.8		5.5	V
Power Supply Current	I ₊	V ₊ = +5.5V, V _{IN} = 0V or V ₊	-40°C to +85°C			2	μA

Specifications subject to change without notice.

ORDERING INFORMATION

MODEL	PIN-PACKAGE	SPECIFIED TEMPERATURE RANGE	ORDERING NUMBER	PACKAGE MARKING	PACKAGE OPTION
SGM4717YD	DFN-10	- 40°C to +85°C	SGM4717YD/TR	SGM4717D	Tape and Reel, 3000

ABSOLUTE MAXIMUM RATINGS

V ₊ , IN to GND.....	- 0.3V to +6V	Junction Temperature.....	+150°C
Analog, Digital voltage range(1).....	- 0.3V to (V ₊ + 0.3V)	Storage Temperature.....	- 65°C to +150°C
Continuous Current NO, NC, or COM.....	± 200mA	Lead Temperature (soldering, 10s).....	+260°C
Peak Current NO, NC, or COM.....	± 300mA	ESD (HBM).....	4000V
Operating Temperature Range.....	- 40°C to +85°C		

Stresses beyond those listed under “Absolute Maximum Ratings” may cause permanent damage to the device. These are stress ratings only, and functional operation of the device at these or any other conditions beyond those indicated in the operational sections of the specifications is not implied. Exposure to absolute maximum rating conditions for extended periods may affect device reliability.

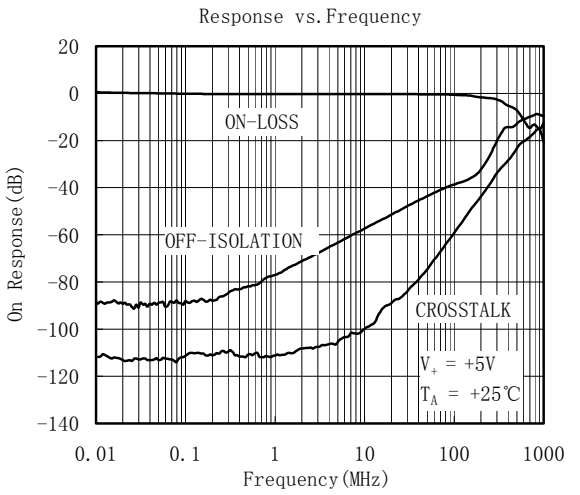
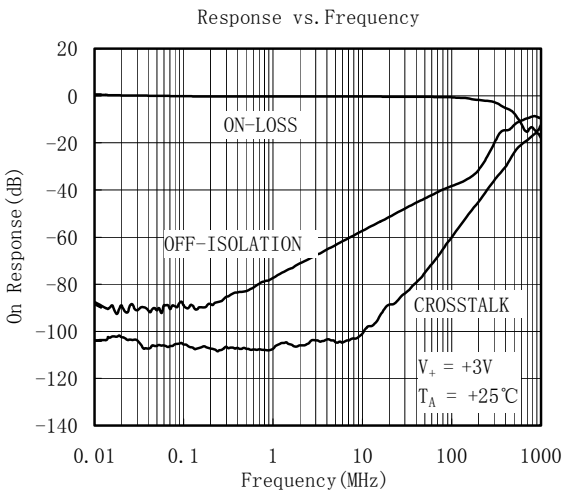
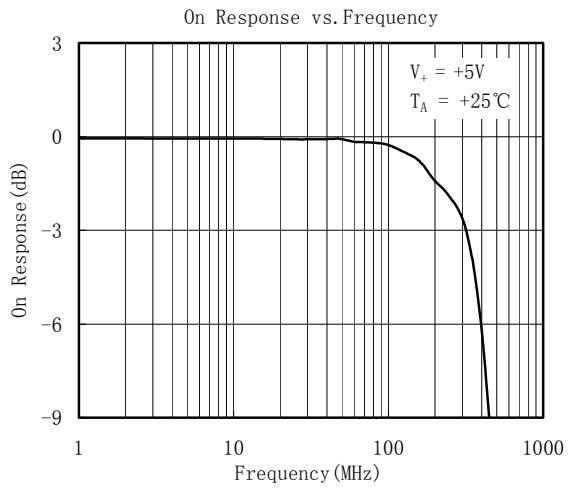
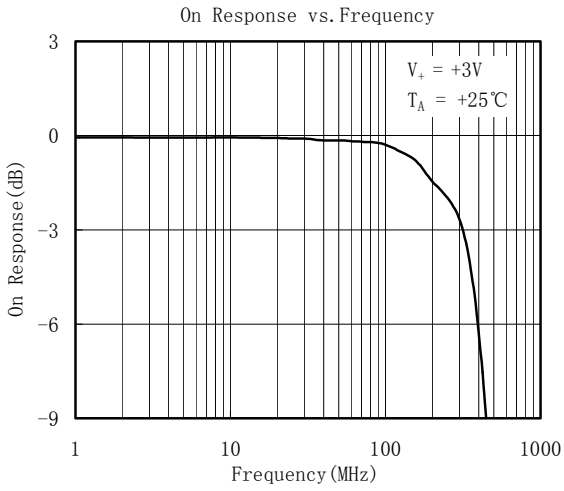
(1) Signals on NC, NO, or COM or IN exceeding V₊ will be clamped by internal diodes. Limit forward diode current to maximum current ratings.

PIN DESCRIPTION

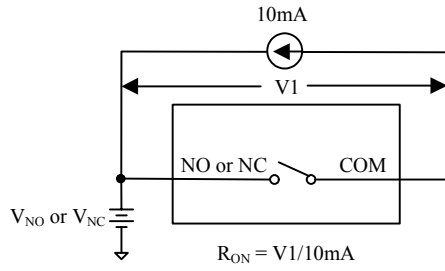
NAME	PIN	FUNCTION
V ₊	1	Power supply
GND	6	Ground
IN1, IN2	4,8	Digital control pin to connect the COM terminal to the NO or NC terminals
COM1, COM2	3,9	Common terminal
NO1, NO2	2,10	Normally-open terminal
NC1, NC2	5,7	Normally-closed terminal

Note: NO, NC and COM terminal may be an input or output.

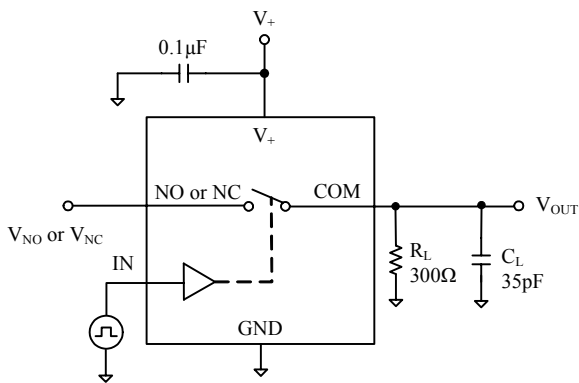
TYPICAL PERFORMANCE CHARACTERISTICS



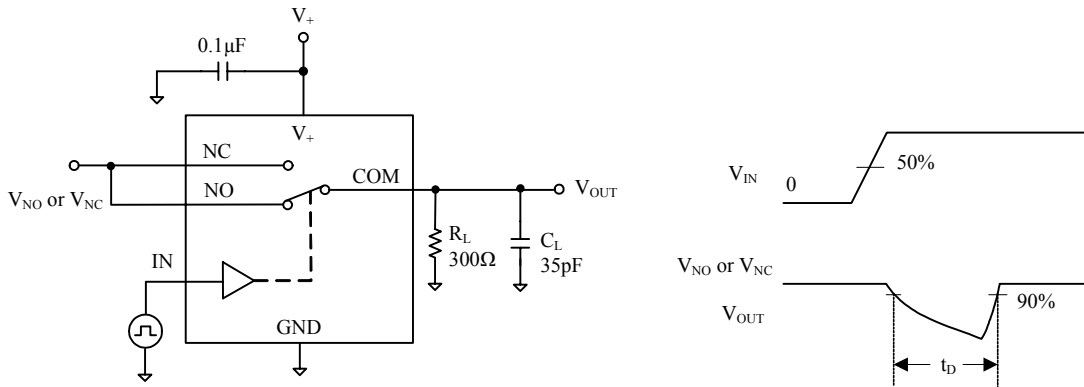
TEST CIRCUITS



Test Circuit 1. On Resistance

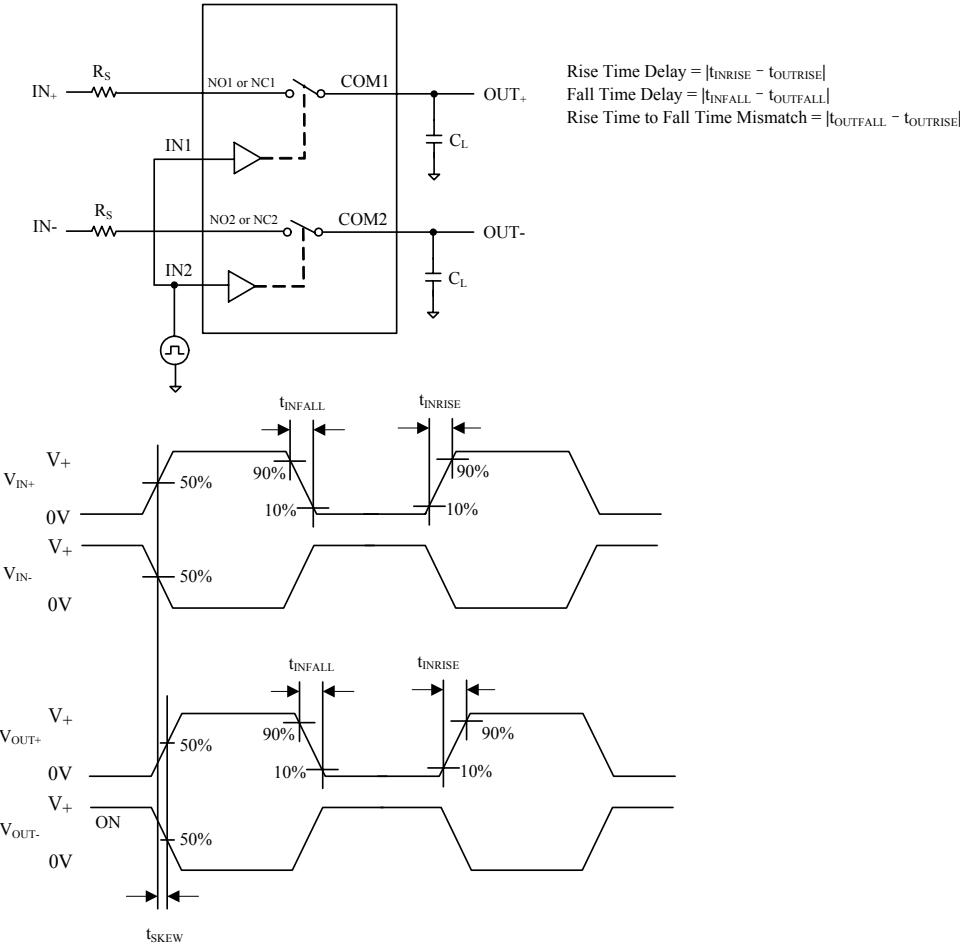


Test Circuit 2. Switching Times

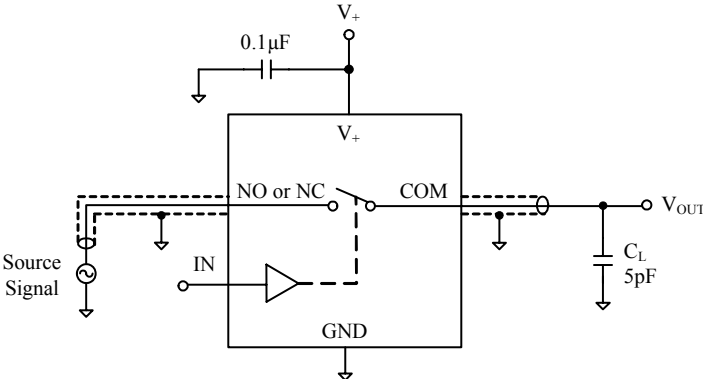


Test Circuit 3. Break-Before-Make Time Delay, t_D

TEST CIRCUITS (Cont.)

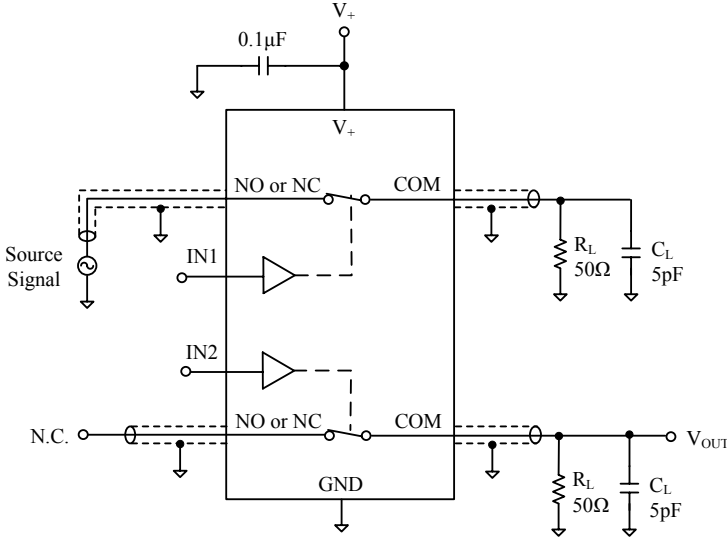


Test Circuit 4. Output Signal Skew



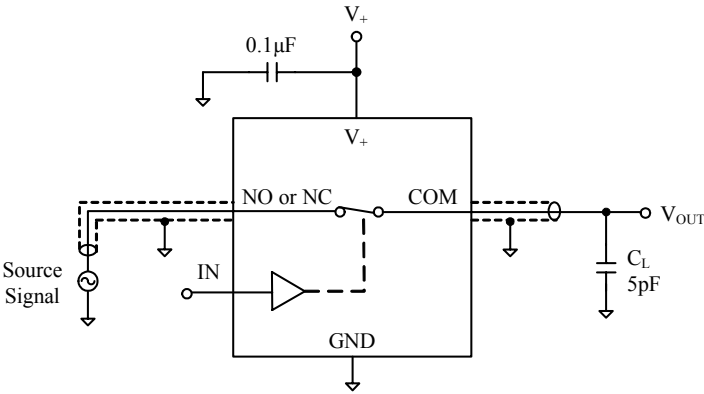
Test Circuit 5. Off Isolation

TEST CIRCUITS (Cont.)



$$\text{Channel To Channel Crosstalk} = -20 \times \log \frac{V_{\text{NO or V}_{\text{NC}}}}{V_{\text{OUT}}}$$

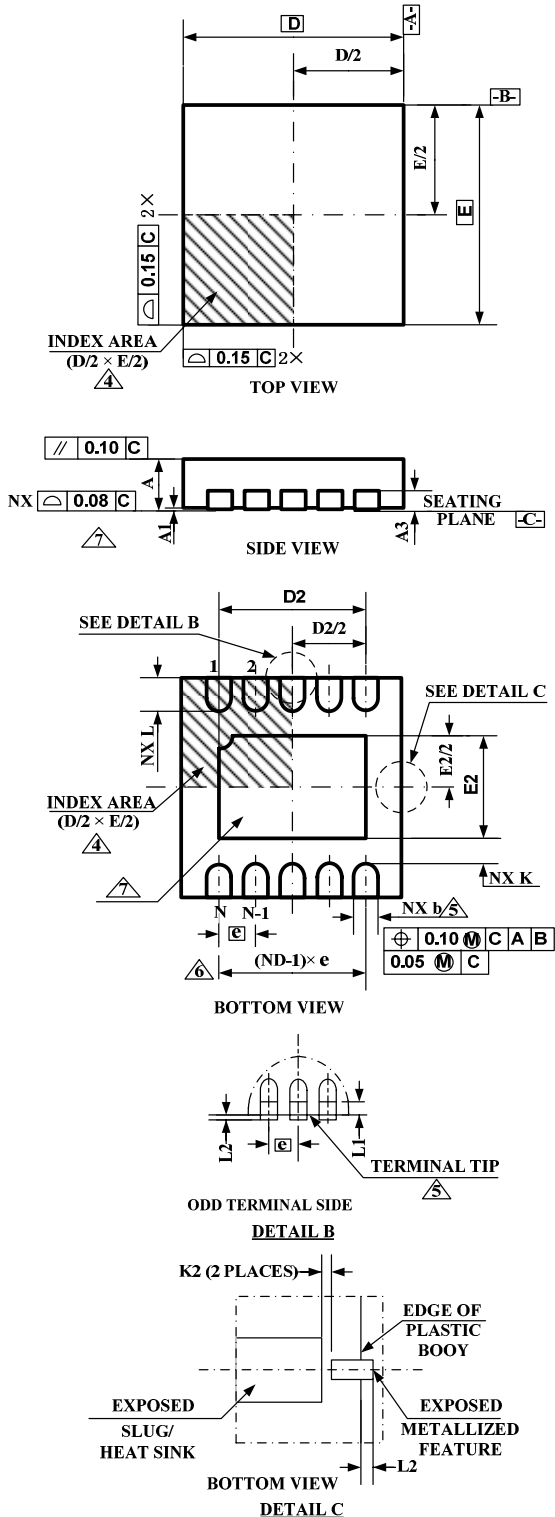
Test Circuit 6. Channel-to-Channel Crosstalk



Test Circuit 7. Bandwidth -3dB

PACKAGE OUTLINE DIMENSIONS

DFN-10



Symbol	Dimensions In Millimeters		
	Min	NOM	Max
A	0.70	0.75	0.80
A1	0.00	0.02	0.05
A3	0.20 REF		
b	0.18	0.25	0.30
D	3.00 BSC		
D2	2.23	2.38	2.48
E	3.00 BSC		
E2	1.49	1.64	1.74
e	0.50 BSC		
K	0.20		
K2	0.17		
L	0.30	0.40	0.50
L1			0.15
L2			0.13
N	10		
ND	5		

NOTES:

1. Dimensioning and tolerancing conform to ASME Y14.5M-1994.
2. All dimensions are in millimeters, angle is in degrees ($^{\circ}$).
3. N is the total number of terminals.
4. The terminal #1 identifier and terminal numbering convention shall conform to JESD 95-1 SPP-012. Details of terminal #1 identifier are optional, but must be located within the zone indicated. The terminal #1 identifier may be either a mold, embedded metal or mark feature.
5. Dimension b applies to metallized terminal and is measured between 0.15MM and 0.30MM from terminal tip.
6. ND refers to the maximum number of terminals on D side.
7. Unilateral coplanarity zone applies to the exposed heat sink slug as well as the terminals.

REVISION HISTORY

Location

Page

11/2007—Preliminary Datasheet

01/2008—Data Sheet REV.A

SG Microelectronics Co., Ltd

A2608, NO.72 North Road
Xisanhuan, Haidian District,
Beijing, China 100037
Tel: 86-10-51798160/80
Fax: 86-10-51798180-803
www.sg-micro.com