

SMDD-160

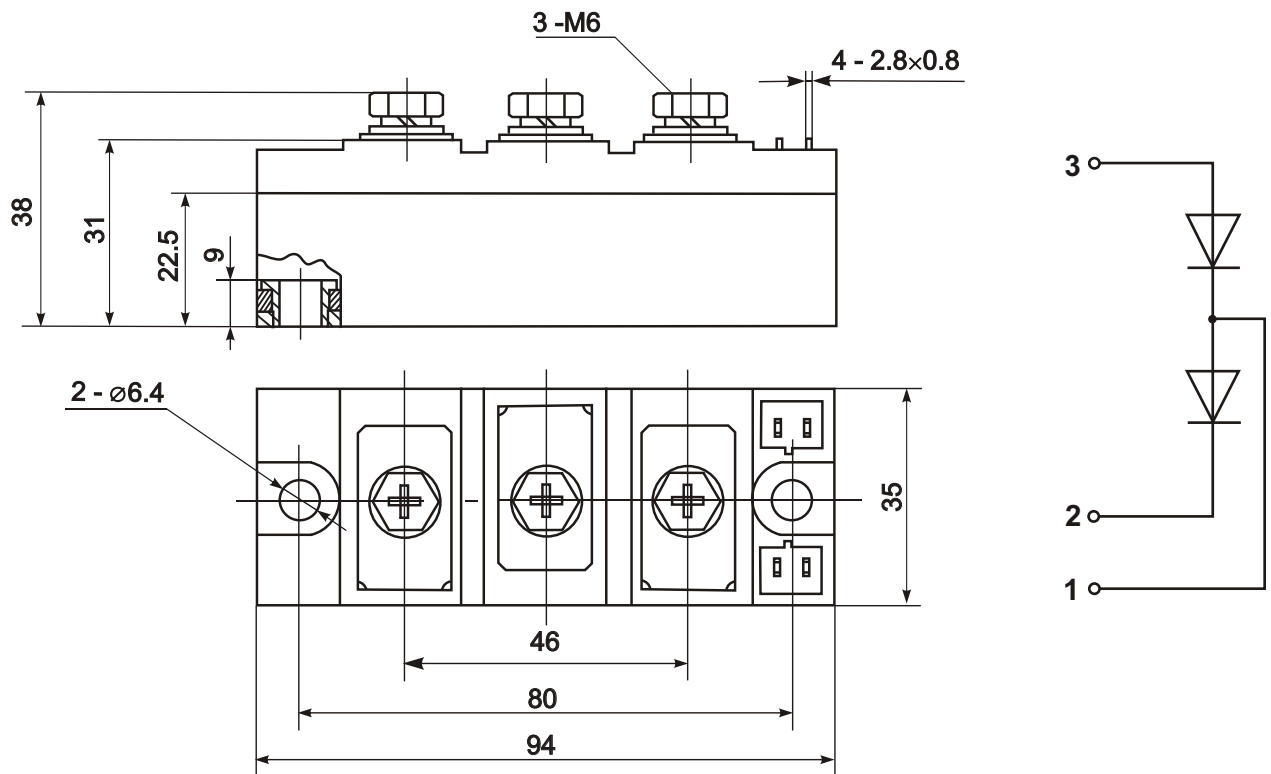


Diode-Diode Module



Type	V_{RSM}	V_{RRM}
SMDD-160-08	900	800
SMDD-160-12	1300	1200
SMDD-160-14	1500	1400
SMDD-160-16	1700	1600
SMDD-160-18	1900	1800

Type	I_{FAVM}	I_{FRMS}	T_c	I_{FSM}	i^2t	V_{TM}	I_{FM}	V_{FO}	r_F	T_{VJM}	V_{isol}	R_{thJC}
	A	A	°C	KA	KA ² s	V	A	V	mΩ	°C	V	K/W
SMDD-160	160	355	100	5	113	1.6	450	0.8	1.8	150	2500	0.22



Features:

- Industrial standard package
- Heat transfer through aluminium nitride ceramic isolated metal baseplate
- Precise internal pressure contacts for high reliability
- 2500V RMS isolation voltage

Typical Applications:

- DC power supply for instrument and equipment
- Power converters
- Electronic welders
- Lighting control