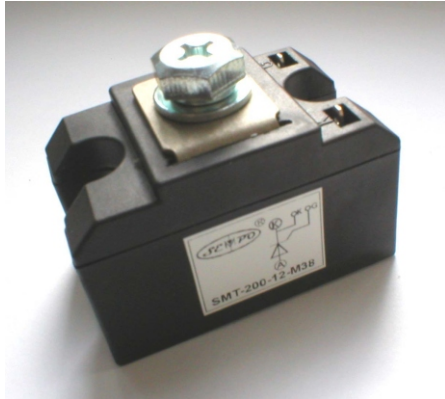


# SMT-200-xx-M38

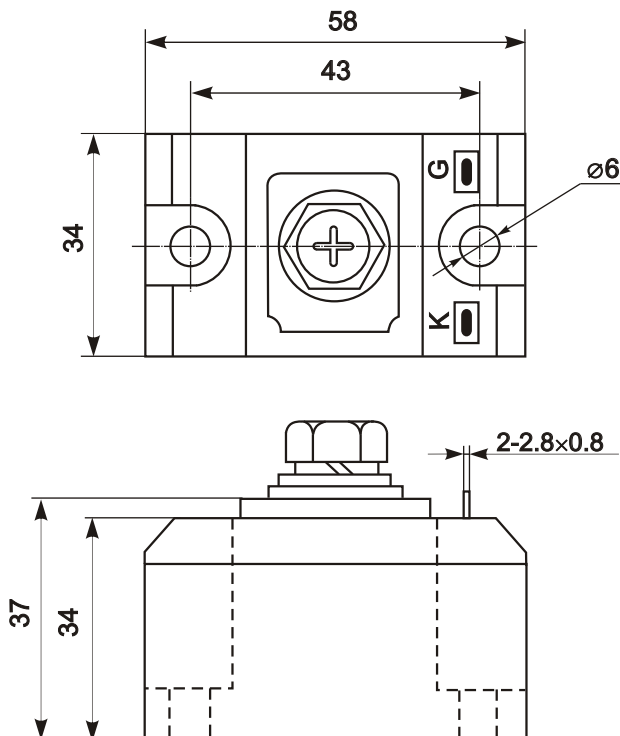


## Thyristor Module



Type	$V_{RSM}$	$V_{RRM}$ , $V_{DRM}$
SMT-200-06	800	600
SMT-200-08	1000	800
SMT-200-12	1400	1200
SMT-200-14	1600	1400
SMT-200-16	1800	1600

Type	$I_{TAVM}$	$I_{TRMS}$	$T_c$	$I_{TSM}$	$i^2t$	$(di/dt)_{cr}$	$(dv/dt)_{cr}$	$V_{TM}$	$I_{TM}$	$V_{TO}$	$r_T$	$V_{GT}$	$I_{GT}$	$T_{VJM}$	$V_{isol}$	$R_{thJC}$
	A	A	°C	kA	kA <sup>2</sup> s	A/μs	V/μs	V	A	V	mΩ	V	mA	°C	V	K/W
SMT-200	200	314	85	7.2	264	100	800	1.65	600	0.8	1.27	2.5	180	125	2500	0.14



### Features:

- Industrial standard package
- Heat transfer through aluminium nitride ceramic isolated metal baseplate
- Precise internal pressure contacts for high reliability
- 2500V RMS isolation voltage

### Typical Applications:

- DC motor control
- AC motor soft starter
- Temperature control (e.g. for ovens, chemical processes)
- Lighting control